



SF2040B-2

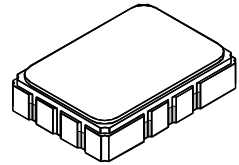
**80.460 MHz
SAW Filter**

- **Designed for SDARS IF Receiver**
- **Low Insertion Loss**
- **5.0 X 7.0 mm Surface-Mount Case**
- **Differential or Single Ended Input and Output**
- **Complies with Directive 2002/95/EC (RoHS)**



Absolute Maximum Ratings

Rating	Value	Units
Maximum Incident Power in Passband	+10	dBm
Max. DC voltage between any 2 terminals	30	VDC
Storage Temperature Range (with tape & reel)	-40 to +85	°C
Storage Temperature Range (without tape & reel)	-50 to +125	°C
Max Soldering Profile	265°C for 10 s	



SMP-03

Electrical Characteristics

Characteristic	Sym	Notes	Min	Typ	Max	Units
Nominal Center Frequency	f_c	1		80.460		MHz
Passband	Insertion Loss	IL		9.5	12.0	dB
	1dB Passband	BW_1	3.7	4.1		MHz
	15dB Bandwidth	BW_{15}		6.6	6.7	MHz
	30dB Bandwidth	BW_{30}		7.6	7.7	MHz
Amplitude Ripple over $f_c \pm 1.85$ MHz				0.5	1.10	dB _{P-P}
Group Delay Variation over $f_c \pm 1.85$ MHz		GDV		60	150	ns _{P-P}
Rejection	50 to 74.39 MHz	1, 3	40	44		dB
	74.39 to 75.99 MHz		32	40		
	85.21 to 86.5 MHz		35	44		
	86.5 to 91.50 MHz		37	48		
	91.50 to 100 MHz		45	53		
Operating Temperature Range	T_A	1	-40		+105	°C
Frequency Temperature Coefficient	FTC			-18		ppm/°C
Differential Input	175 ohms					
Differential Output	1000 ohms					
Case Style	SMP-03 7 x 5 mm Nominal Footprint					
Lid Symbolization (YY=year, WW=week, S=shift) See note 4	RFM SF2040B-2 YYWWWS					

Electrical Connections

Connection	Terminals
Port 1 Hot	10
Port 1 Ground Return	1
Port 2 Hot	5
Port 2 Ground Return	6
Case Ground	All Others

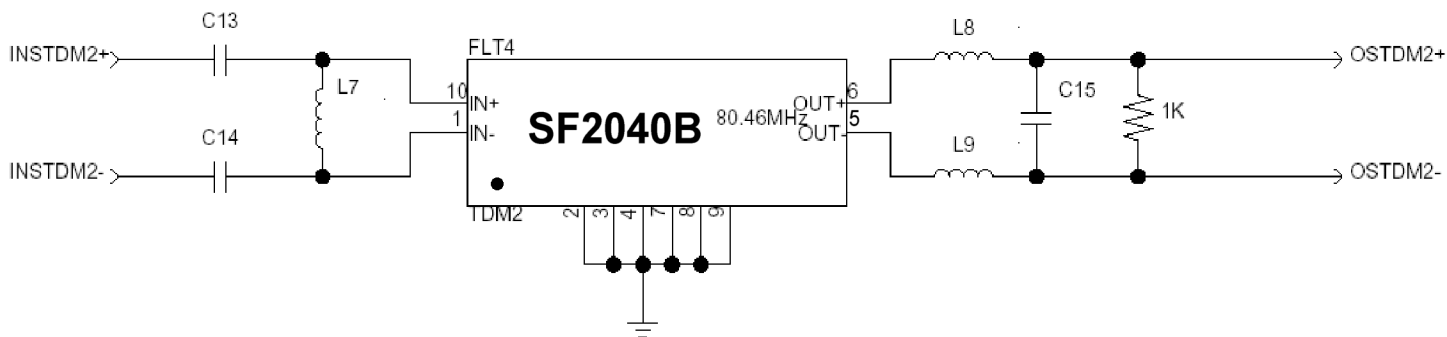
Notes:

1. Unless noted otherwise, all specifications apply over the operating temperature range with filter soldered to the specified demonstration board with impedance matching to 50 Ω and measured with 50 Ω network analyzer.
2. Unless noted otherwise, all frequency specifications are referenced to the nominal center frequency, f_c .
3. Rejection is measured as attenuation below the minimum IL point in the passband. Rejection in final user application is dependent on PCB layout and external impedance matching design. See Application Note No. 42 for details.
4. "LRIP" or "L" after the part number indicates "low rate initial production" and "ENG" or "E" indicates "engineering prototypes."
5. The design, manufacturing process, and specifications of this filter are subject to change.
6. Tape and Reel Standard ANSI / EIA 481.
7. Either Port 1 or Port 2 may be used for either input or output in the design. However, impedances and impedance matching may vary between Port 1 and Port 2, so that the filter must always be installed in one direction per the circuit design.
8. US and international patents may apply.
9. RFM, stylized RFM logo, and RF Monolithics, Inc. are registered trademarks of RF Monolithics, Inc.
10. ©Copyright 1999, RF Monolithics Inc.
11. Electrostatic Sensitive Device. Observe precautions for handling.



Matching Circuit and Matching Component Values Used in G3 Sirius Radios

(Refer to Sirius Radio G3 Chipset Application Note, Doc. #RX000104-B, Sec. 4.2.5)

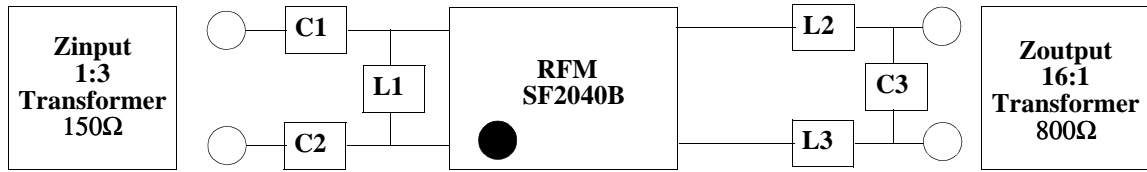


TDM2 Narrowband SAW Matching Circuit

TDM2 Narrowband SAW Matching Values

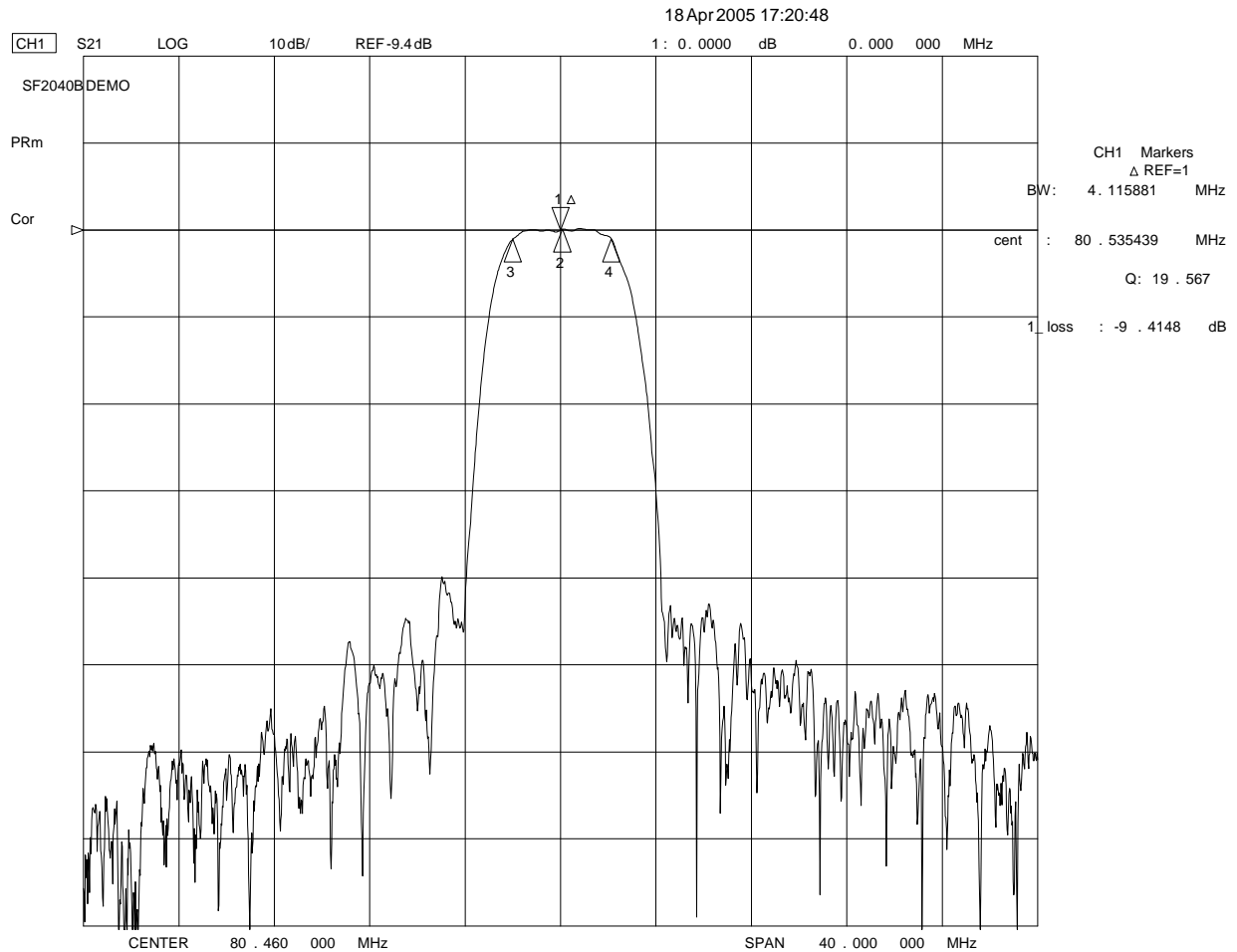
Reference Designator	Value
C13	12 pF
C14	12 pF
L7	240 nH
L8	390 nH
L9	390 pF
C15	10 pF

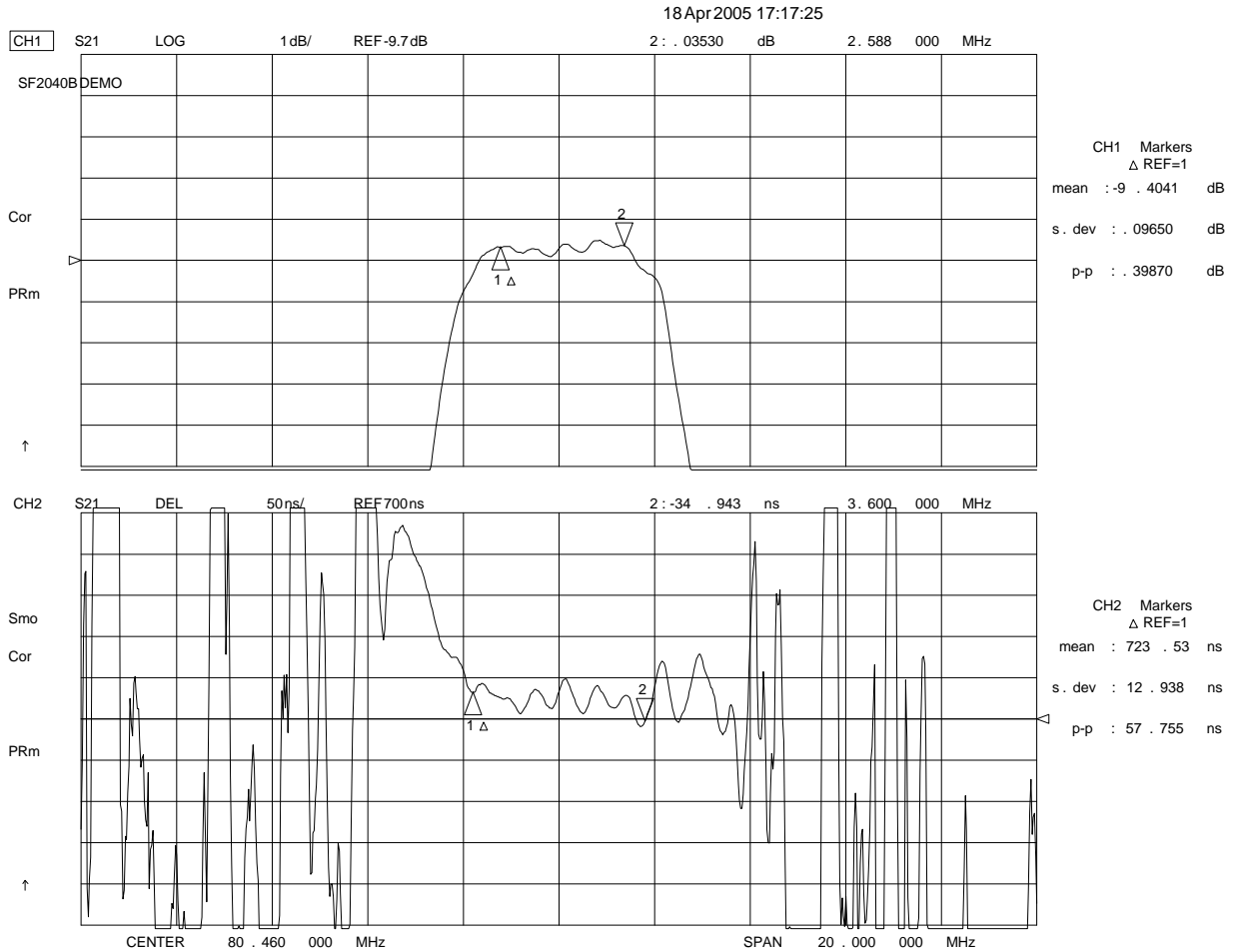
Matching Circuit and Matching Component Values Used on Filter Demo Board



SF2040B
80.460 MHz

C1 = 9pF
C2 = 9pF
L1 = 270nH
L2 = 330nH
L3 = 330pF
C3 = 12pF





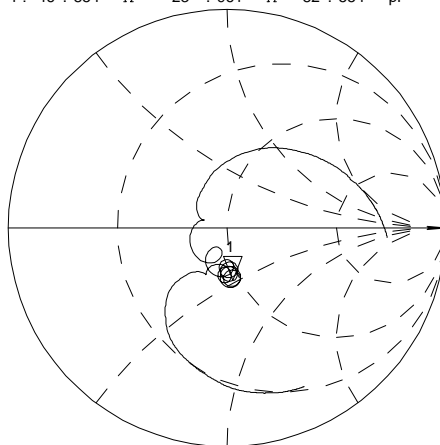
18 Apr 2005 17:09:52

CH1 S11 1UFS

1: 46.854 Ω -23.961 Ω 82.554 pF 80.460 000 MHz

SF2040BDEMO

PRm

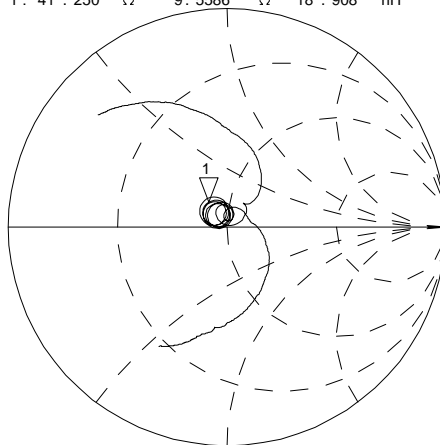


↑

CH2 S22 1UFS

1: 41.250 Ω 9.5586 Ω 18.908 nH 80.460 000 MHz

PRm



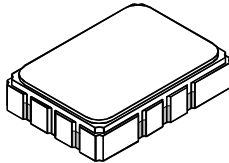
↑

CENTER 80.460 000 MHz

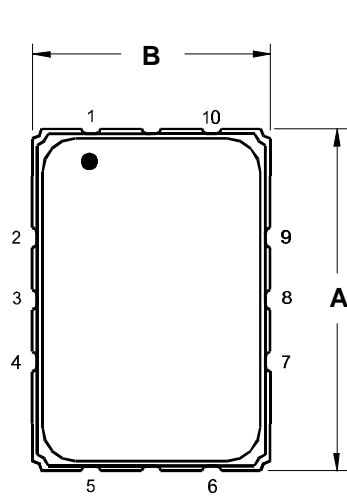
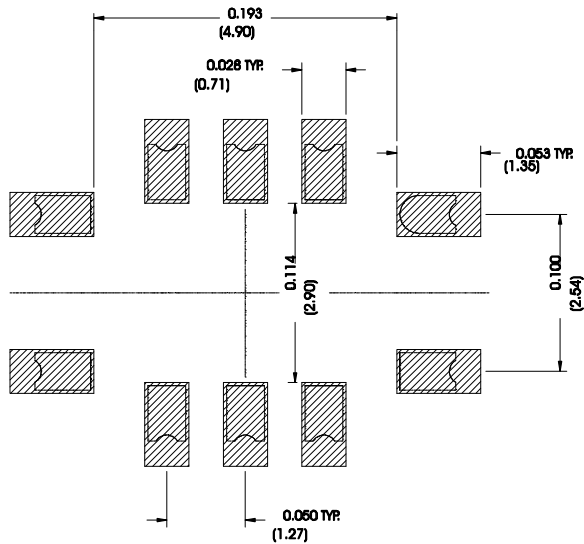
SPAN 20.000 000 MHz

SMP-03 Case

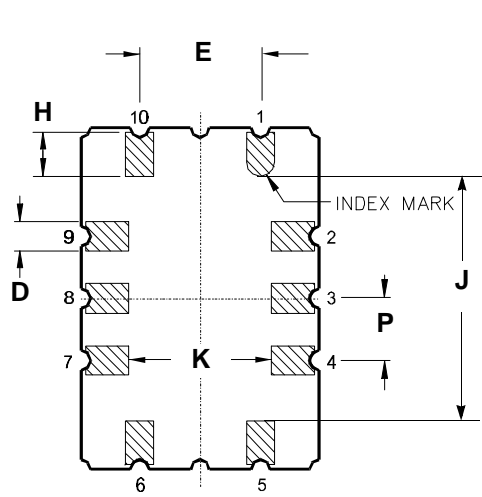
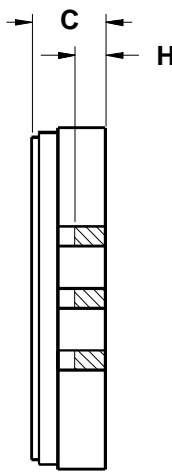
10-Terminal Ceramic Surface-Mount Case 7 x 5 mm Nominal Footprint



Recommended PCB Footprint



TOP VIEW



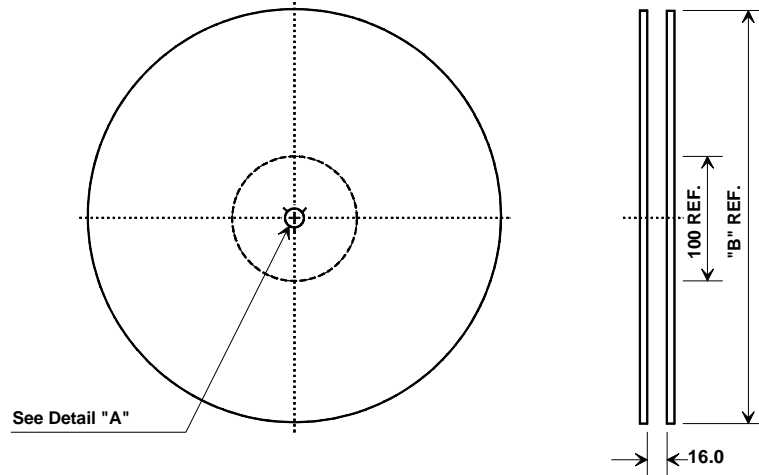
BOTTOM VIEW

Dimension	mm			Inches		
	Min	Nom	Max	Min	Nom	Max
A	6.80	7.00	7.20	0.268	0.276	0.283
B	4.80	5.00	5.20	0.189	0.197	0.205
C		1.65	2.00		0.065	0.079
D	.47	0.60	.73	0.019	0.024	0.029
E	2.41	2.54	2.67	0.095	0.100	0.105
H	0.87	1.0	1.13	0.034	0.039	0.044
J	4.87	5.00	5.13	0.192	0.197	0.202
K	2.87	3.00	3.13	0.113	0.118	0.123
P	1.14	1.27	1.40	0.045	0.050	0.055

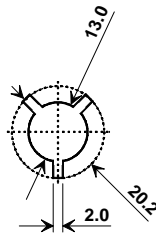
Materials	
Solder Pad Termination	Au plating 30 - 60 ulnches (76.2-152 uM) over 80-200 ulnches (203-508 uM) Ni.
Lid	Fe-Ni-Co Alloy Electroless Nickel Plate (8-11% Phosphorus) 100-200 ulnches Thick
Body	Al ₂ O ₃ Ceramic
Pb Free	

Electrical Connections		
	Connection	Terminals
Port 1	Input or Return	10
	Return or Input	1
Port 2	Output or Return	5
	Return or Output	6
Ground		All others
Single Ended Operation		Return is ground
Differential Operation		Return is hot

Tape and Reel Specifications



"B "		Quantity Per Reel
Inches	millimeters	
7	178	500
13	330	2000



COMPONENT ORIENTATION and DIMENSIONS

Carrier Tape Dimensions	
Ao	5.5 mm
Bo	7.5 mm
Ko	2.0 mm
Pitch	8.0 mm
W	16.0 mm

