

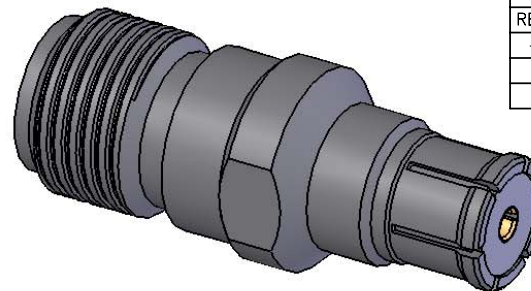
4

3

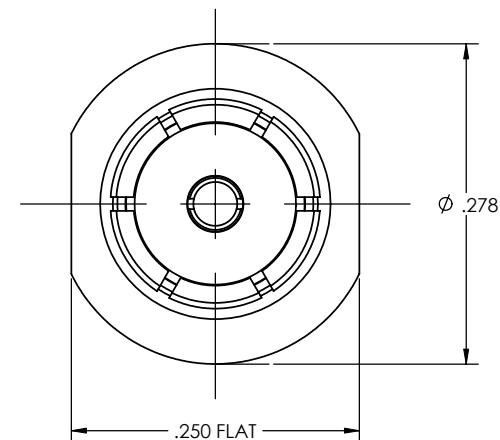
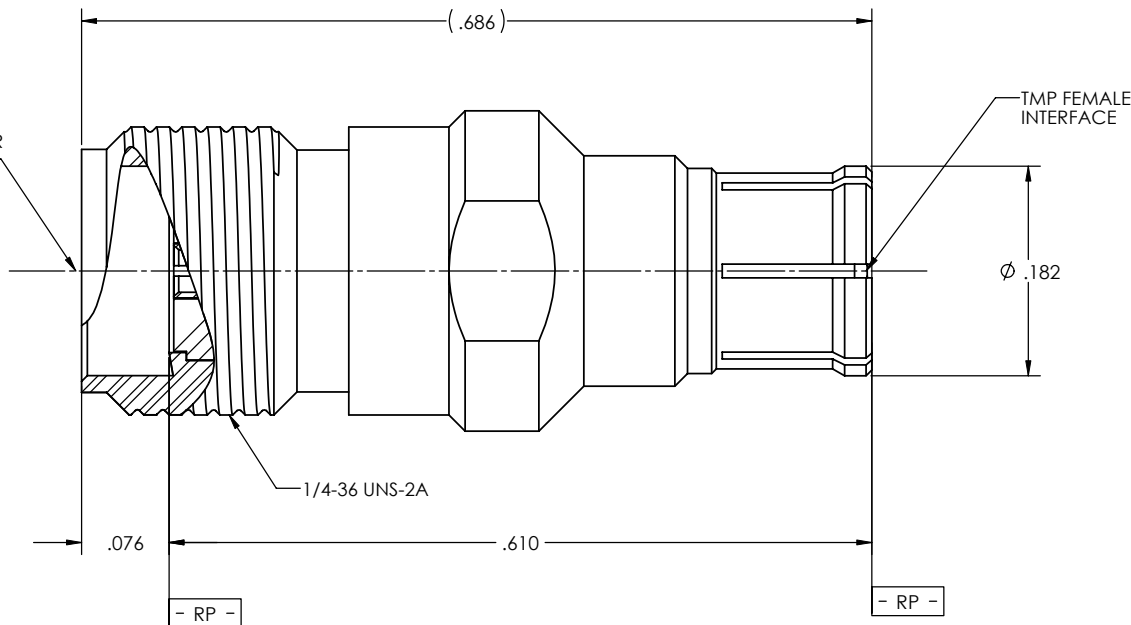
2

1

REVISIONS			
REV	DESCRIPTION	DATE	BY
-	-	-	-



SMA FEMALE
INTERFACE PER
MIL-STD-348



MATERIAL:	ELECTRICAL:	MECHANICAL:	ENVIRONMENTAL:
Body & Center Conductor: BeCu Alloy per ASTM B-196 Insulator: PTFE Teflon per ASTM D-1710	Impedance: 50 Ohms Nom. Freq. Range: DC TO 40 GHz	Interface Dimensions: SMA interface per MIL-STD-348 TMP Female interface	Temp. Range: -65°C to +165°C

FINISH:	APPLICABLE CARLISLE IT DOCUMENTS			TOLERANCES AND NOTES EXCEPT AS NOTED				MATERIAL				
	WORK STANDARD	PROD INSTRUC	ASSY INSTRUC	DIMENSIONS ARE IN INCHES EXCEPT AS NOTED				APPROVAL INITIALS	DATE	SIZE	SPECIFICATION	PROCUREMENT
Body & Center Conductor: Gold plate per ASTM B-488, over nickel underplate per AMS-QQ-N-290.	NA	NA	NA	LINEAR .XX ± .015	ANGULAR ± 1/2°	FRACTION ± 1/32	1. MACHINE FINISH $\sqrt{}$ RMS	YYPHAN	09.02.08	1:1	SW/	
				2. BREAK ALL SHARP EDGES .003 MAX.			3. MACHINED FILLETS .005 MAX.	CHECKED BY				
				4. MACHINED SURFACES SQUARE TO RESPECTIVE AXIS WITHIN .005 INCHES PER INCH.			4. MACHINED SURFACES SQUARE TO RESPECTIVE AXIS WITHIN .005 INCHES PER INCH.	DESIGN ENGR	PCV	12.05.08		
				5. MACHINED DIAMETERS CONCENTRIC WITHIN .002 I.D.			5. MACHINED DIAMETERS CONCENTRIC WITHIN .002 I.D.	MFG ENGR				
				6. DIMENSIONS TO BE MET BEFORE PLATING.			6. DIMENSIONS TO BE MET BEFORE PLATING.					
				7. CHAMFER ALL THREADS 45°.			7. CHAMFER ALL THREADS 45°.					
				8. THREADS PER H-28.			8. THREADS PER H-28.					
				9. REMOVE FRAYED EDGES ON TEFLON.			9. REMOVE FRAYED EDGES ON TEFLON.					
				10. REMOVE ALL BURRS.			10. REMOVE ALL BURRS.					
				NOTICE: THIS DRAWING EMBODIES A CONFIDENTIAL PROPRIETARY DESIGN ORIGINATED BY CARLISLE INTERCONNECT TECHNOLOGIES & ALL DESIGN, MANUFACTURING, REPRODUCTION, USE & SALE RIGHTS REGARDING THE SAME ARE EXPRESSLY RESERVED. IT IS SUBMITTED UNDER A CONFIDENTIAL RELATIONSHIP FOR A SPECIFIED PURPOSE & THE RECIPIENT AGREES BY ACCEPTING THIS DRAWING NOT SUPPLY OR DISCLOSE ANY INFORMATION REGARDING IT TO ANY UNAUTHORIZED PERSON TO INCORPORATE IN OTHER PROJECTS ANY SPECIAL FEATURES PECULIAR TO THIS DESIGN. ALL PATENT RIGHTS HERETO ARE EXPRESSLY RESERVED BY CARLISLE INTERCONNECT TECHNOLOGIES, LONG BEACH, CALIFORNIA 90815.				TITLE: TMP FEMALE TO SMA FEMALE STRAIGHT ADAPTER				
				SCALE: 1:1				SHEET 1 OF 1				
				SIZE: C				DRAWING NO: OL_MP543-ICC				

4

3

2

1