

TYPE Q/2 FLEX-FIT™ MALE PCB CONNECTOR



PHYSICAL PROPERTIES

INSULATION MATERIAL: Glass filled thermoplastic rated UL 94V-0

COLOR: Gray

CONTACTS: Copper alloy, nickel plate overall, gold finish in contact zone. Tin/lead on solder tails, tin/lead or gold on posts.

ELECTRICAL PROPERTIES

CURRENT RATING: 2 Amps per pin

INSULATION RESISTANCE: >1 x 10⁹ Ohms

DIELECTRIC STRENGTH: > 500 VDC at sea level

ENVIRONMENTAL PROPERTIES

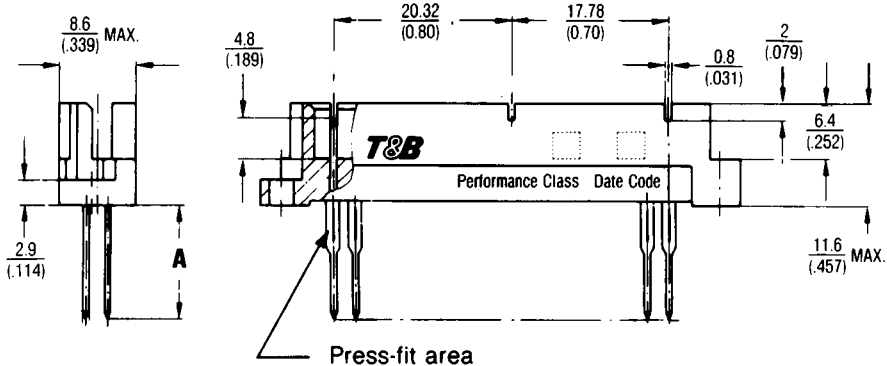
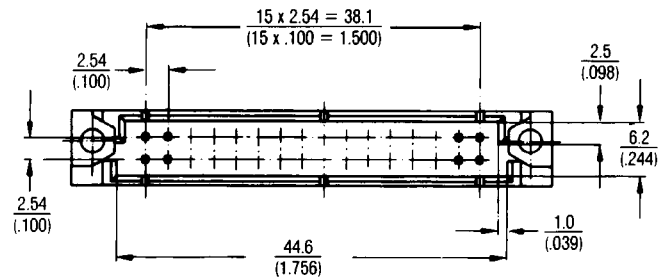
TEMPERATURE RATING: -55°C TO 125°C

INITIAL INSERTION FORCE PER PIN

40 lbs. maximum when staked into glass epoxy PCB substrate 0.037" diameter finished through-hole

RETENTION FORCE PER PIN

10 lbs. minimum when staked into glass epoxy PCB substrate 0.043" diameter finished through-hole



APPLICATION TOOLING

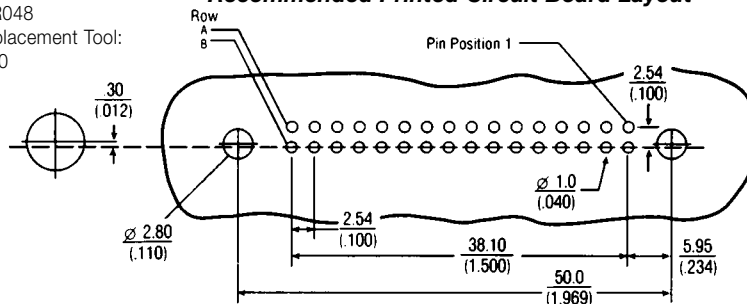
Installation Platen:

889-DR048

Pin Replacement Tool:

889-100

Recommended Printed Circuit Board Layout



X PERFORMANCE LEVEL

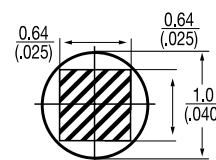
- 1 level 1 - 500 mating cycles
- 2 level 2 - 400 mating cycles
- 3 level 3 - 50 mating cycles

Y TAIL PLATING

- 1 Tin/Lead
- 2 Gold Flash (.200" From Pin Tip)
- 3 Gold Plate 30 Microinches thick min. (200" From Pin Tip)

Ordering Information

NO. OF CONTACTS	CONTACT LOADING	CATALOG NO. SPECIFY X AND Y	TERMINATION STYLE	MM (INCHES)
16 32	a, 2, 4, 6 -16 a, b, 1, 2, 3 -16	MHQ016-081-X MHQ032-081-X	A =	4.7 (.184)
16 32	a, b, 2, 4, 6 -16 a, b, 1, 2, 3 -16	MHQ016-091-X-Y MHQ032-091-X-Y	A =	13.0 (.512)
16 32	a, b, 2, 4, 6 -16 a, b, 1, 2, 3 -16	MHQ016-101-X-Y MHQ032-101-X-Y	A =	17.0 (.669)
16 32	a, b, 2, 4, 6 -16 a, b, 1, 2, 3 -16	MHQ016-111-X-Y MHQ032-111-X-Y	A =	20.9 (.823)



**Press-Fit
Wire Wrap Post**
0.64 x 0.64
(.025 x .025)