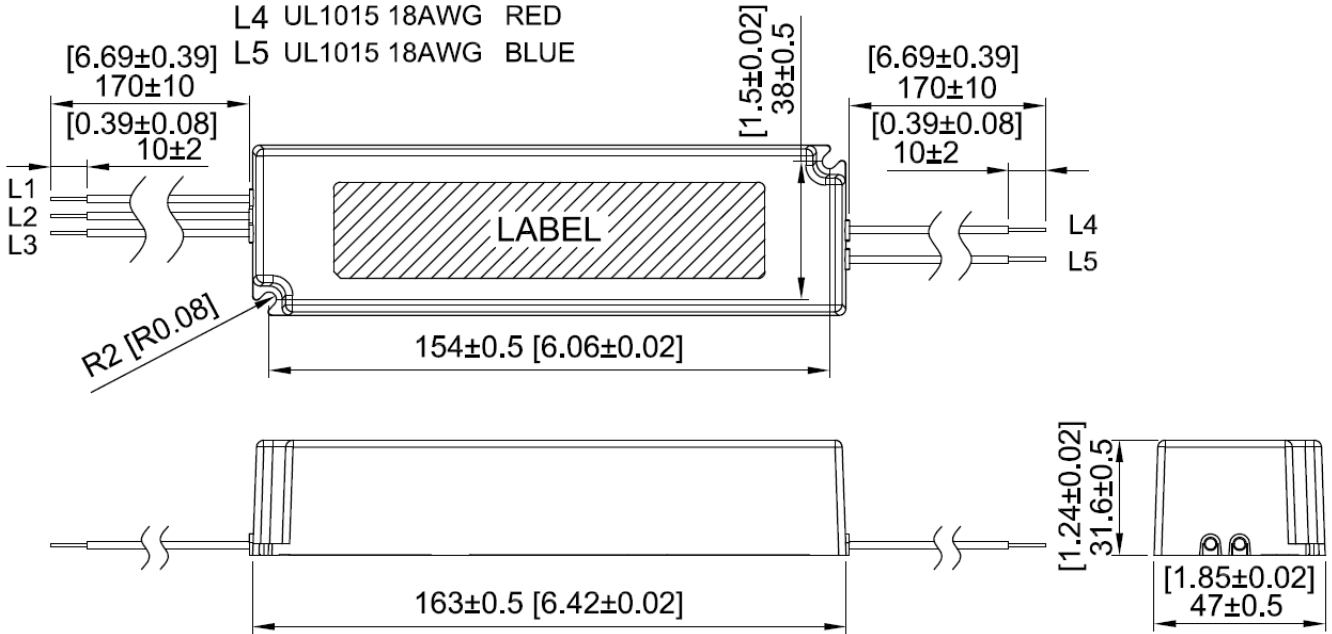


Model NO.	LCCE-052■132	Model Name	Power Supply
Part NO.	PLCCE0052■132	SIZE	163 * 47 * 31.6 mm 【6.42 * 1.85 * 1.24 inch】

Dimensions

- L1 UL1015 18AWG BLACK
- L2 UL1015 18AWG WHITE
- L3 UL1015 18AWG GREEN/YELLOW
- L4 UL1015 18AWG RED
- L5 UL1015 18AWG BLUE



Unit : mm 【inch】

※Reference