

340kHz, 3A Synchronous DC-DC Buck Converter**AP3503****General Description**

The AP3503 is a 340kHz fixed frequency, current mode, PWM synchronous buck (step-down) DC-DC converter, capable of driving a 3A load with high efficiency, excellent line and load regulation. The device integrates N-channel power MOSFET switches with low on-resistance. Current mode control provides fast transient response and cycle-by-cycle current limit.

The AP3503 employs complete protection to ensure system security. Including output Over Voltage Protection, input Under Voltage LockOut, programmable soft-start, Over Temperature Protection to safeguard the circuit.

This IC is available in PSOP-8 package.

Features

- Input Voltage Range: 4.5V to 18V
- Fixed 340kHz Frequency
- High Efficiency: up to 95%
- Output Current: 3A
- Current Mode Control
- Built-in Over Current Protection
- Built-in Thermal Shutdown Function
- Built-in UVLO Function
- Built-in Over Voltage Protection
- Programmable Soft-start

Applications

- LCD TV
- Set Top Box
- Portable DVD
- Digital Photo Frame



Figure 1. Package Type of AP3503

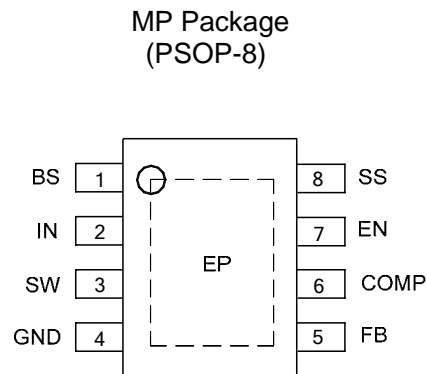
340kHz, 3A Synchronous DC-DC Buck Converter
AP3503
Pin Configuration


Figure 2. Pin Configuration of AP3503 (Top View)

Pin Description

| Pin Number | Pin Name | Function |
|------------|----------|--|
| 1 | BS | Bootstrap pin. A bootstrap capacitor is connected between the BS pin and SW pin. The voltage across the bootstrap capacitor drives the internal high-side power MOSFET |
| 2 | IN | Supply power input pin. A capacitor should be connected between the IN pin and GND pin to keep the input voltage constant |
| 3 | SW | Power switch output pin. This pin is connected to the inductor and bootstrap capacitor |
| 4 | GND | Ground pin |
| 5 | FB | Feedback pin. This pin is connected to an external resistor divider to program the system output voltage. When the FB pin voltage exceeds 1.1V, the over voltage protection is triggered. When the FB pin voltage is below 0.3V, the oscillator frequency is lowered to realize short circuit protection |
| 6 | COMP | Compensation pin. This pin is the output of the transconductance error amplifier and the input to the current comparator. It is used to compensate the control loop. Connect a series RC network from this pin to GND. In some cases, an additional capacitor from this pin to GND pin is required |
| 7 | EN | Control input pin. EN is a digital input that turns the regulator on or off. Drive EN high/low to turn on/off the regulator. Pull up with 100kΩ resistor for automatic startup |
| 8 | SS | Soft-start control input pin. SS controls the soft-start period. Connect a capacitor from SS to GND to set the soft-start period. A 0.1μF capacitor sets the soft-start period to 15ms. To disable the soft-start feature, leave SS unconnected |
| | EP | Exposed pad. It should be connected to GND in PCB layout |

340kHz, 3A Synchronous DC-DC Buck Converter

AP3503

Functional Block Diagram

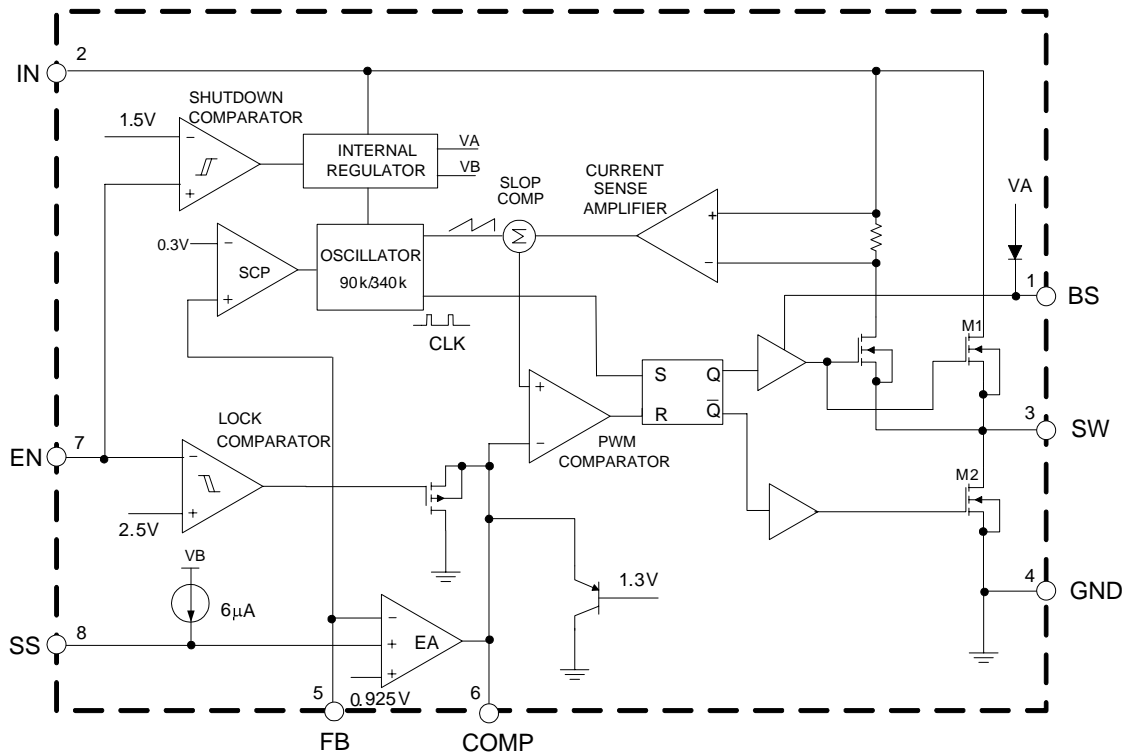
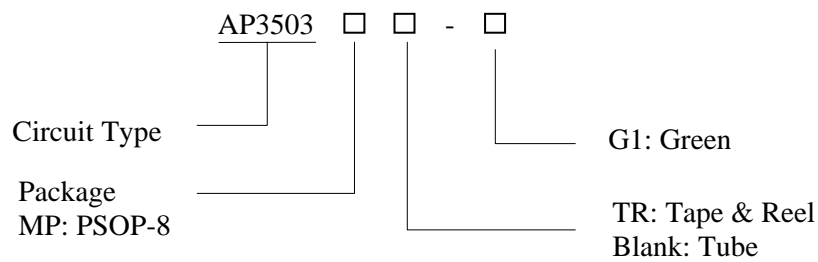


Figure 3. Functional Block Diagram of AP3503

Ordering Information



| Package | Temperature Range | Part Number | Marking ID | Packing Type |
|---------|-------------------|---------------|------------|--------------|
| PSOP-8 | -40 to 85°C | AP3503MP-G1 | 3503MP-G1 | Tube |
| | | AP3503MPTR-G1 | 3503MP-G1 | Tape & Reel |

BCD Semiconductor's Pb-free products, as designated with "G1" suffix in the part number, are RoHS compliant and green.

**340kHz, 3A Synchronous DC-DC Buck Converter****AP3503****Absolute Maximum Ratings (Note 1)**

| Parameter | Symbol | Value | Unit |
|-------------------------------------|---------------|--------------------|------|
| IN Pin Voltage | V_{IN} | -0.3 to 20 | V |
| EN Pin Voltage | V_{EN} | -0.3 to V_{IN} | V |
| SW Pin Voltage | V_{SW} | 21 | V |
| BS Pin Voltage | V_{BS} | -0.3 to $V_{SW}+6$ | V |
| FB Pin Voltage | V_{FB} | -0.3 to 6 | V |
| COMP Pin Voltage | V_{COMP} | -0.3 to 6 | V |
| SS Pin Voltage | V_{SS} | -0.3 to 6 | V |
| Thermal Resistance | θ_{JA} | 60 | °C/W |
| Operating Junction Temperature | T_J | 150 | °C |
| Storage Temperature | T_{STG} | -65 to 150 | °C |
| Lead Temperature (Soldering, 10sec) | T_{LEAD} | 260 | °C |
| ESD (Human Body Model) | V_{HBM} | 2000 | V |
| ESD (Machine Model) | V_{MM} | 200 | V |

Note 1: Stresses greater than those listed under “Absolute Maximum Ratings” may cause permanent damage to the device. These are stress ratings only, and functional operation of the device at these or any other conditions beyond those indicated under “Recommended Operating Conditions” is not implied. Exposure to “Absolute Maximum Ratings” for extended periods may affect device reliability.

Recommended Operating Conditions

| Parameter | Symbol | Min | Max | Unit |
|-------------------------------|----------|-----|-----|------|
| Input Voltage | V_{IN} | 4.5 | 18 | V |
| Operating Ambient Temperature | T_A | -40 | 85 | °C |



340kHz, 3A Synchronous DC-DC Buck Converter

AP3503

Electrical Characteristics

T_A=25°C, V_{IN}=V_{EN}=12V, V_{OUT}=3.3V, unless otherwise specified.

| Parameter | Symbol | Conditions | Min | Typ | Max | Unit |
|---|--------------------|--|-------|-------|-------|------|
| SUPPLY VOLTAGE (IN PIN) | | | | | | |
| Input Voltage | V _{IN} | | 4.5 | | 18 | V |
| Quiescent Current | I _Q | V _{FB} =1V, V _{EN} =3V | | 1.2 | 1.4 | mA |
| Shutdown Supply Current | I _{SHDN} | V _{EN} =0V | | 0.1 | 10 | μA |
| UNDER VOLTAGE LOCKOUT | | | | | | |
| Input UVLO Threshold | V _{UVLO} | V _{IN} Rising | 3.65 | 4.00 | 4.25 | V |
| Input UVLO Hysteresis | V _{HYS} | | | 200 | | mV |
| ENABLE (EN PIN) | | | | | | |
| EN Shutdown Threshold Voltage | | | 1.1 | 1.5 | 2 | V |
| EN Shutdown Threshold Voltage Hysteresis (Note 2) | | | | 350 | | mV |
| EN Lockout Threshold Voltage | | | 2.2 | 2.5 | 2.7 | V |
| EN Lockout Hysteresis | | | | 210 | | mV |
| VOLTAGE REFERENCE (FB PIN) | | | | | | |
| Feedback Voltage | V _{FB} | | 0.907 | 0.925 | 0.943 | V |
| Feedback Over Voltage Threshold | V _{FBOV} | | | 1.1 | | V |
| Feedback Bias Current | I _{FB} | V _{FB} =1V | -0.1 | | 0.1 | μA |
| MOSFET | | | | | | |
| High-side Switch On-resistance(Note 3) | R _{DSONH} | I _{SW} =0.2A/0.7A | | 100 | | mΩ |
| Low-side Switch On-resistance(Note 3) | R _{DSONL} | I _{SW} =-0.2A/-0.7A | | 100 | | mΩ |
| CURRENT LIMIT | | | | | | |
| High-side Switch Leakage Current | I _{LEAKH} | V _{IN} =18V, V _{EN} =V _{SW} =0V | | 0.1 | 10 | μA |
| High-side Switch Current Limit | I _{LIMH} | | 4.3 | 5.6 | | A |
| Low-side Switch Current Limit | I _{LIML} | From drain to Source | | 1.4 | | A |
| SWITCHING REGULATOR | | | | | | |
| Oscillator Frequency | f _{OSC1} | | 280 | 340 | 400 | kHz |
| Short Circuit Oscillator Frequency | f _{OSC2} | | | 90 | | kHz |
| Max. Duty Cycle | D _{MAX} | V _{FB} =0.85V | | 90 | | % |
| Min. Duty Cycle | D _{MIN} | V _{FB} =1V | | | 0 | % |
| ERROR AMPLIFIER | | | | | | |
| Error Amplifier Voltage Gain (Note 2) | A _{EA} | | | 400 | | V/V |
| Error Amplifier Transconductance | G _{EA} | | | 800 | | μA/V |
| COMP to Current Sense Transconductance | G _{CS} | | | 5.2 | | A/V |
| THERMAL SHUTDOWN | | | | | | |
| Thermal Shutdown (Note 2) | T _{OTSD} | | | 160 | | °C |
| Thermal Shutdown Hysteresis (Note 2) | T _{HYS} | | | 20 | | °C |
| SOFT START (SS PIN) | | | | | | |
| Soft-start Time (Note 2) | t _{SS} | C _{SS} =0.1μF | | 15 | | ms |
| Soft-start Current | | V _{SS} =0V | | 6 | | μA |

Note 2: Not tested, guaranteed by design.

Note 3:
$$R_{DSON} = \frac{V_{SW1} - V_{SW2}}{I_{SW1} - I_{SW2}}$$

340kHz, 3A Synchronous DC-DC Buck Converter

AP3503

Typical Performance Characteristics

$T_A=25^\circ\text{C}$, $V_{IN}=12\text{V}$, $V_{OUT}=3.3\text{V}$, unless otherwise noted.

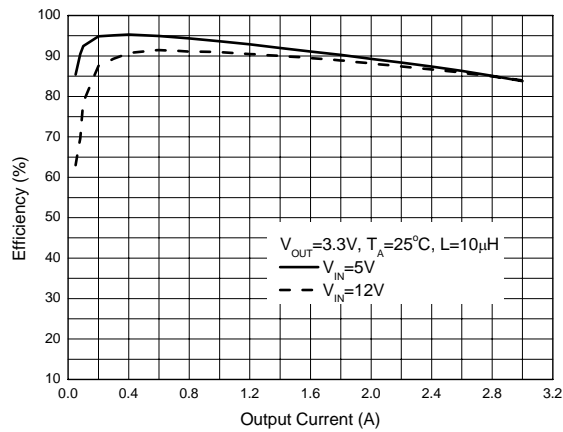


Figure 4. Efficiency vs. Output Current

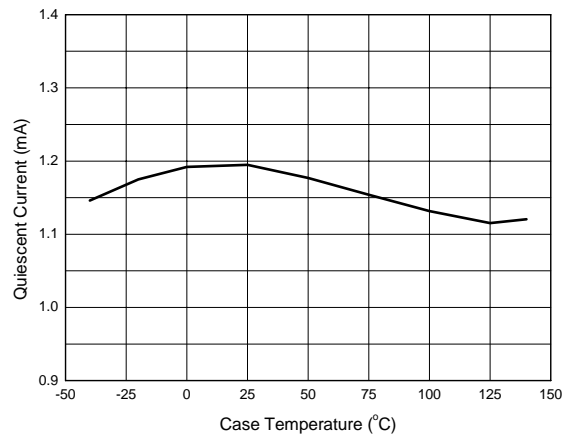


Figure 5. Quiescent Current vs. Case Temperature

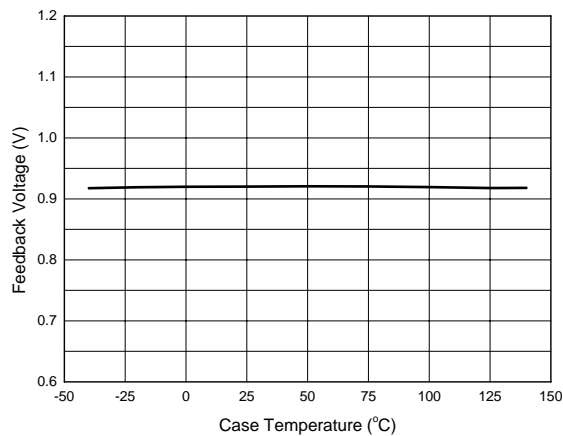


Figure 6. Feedback Voltage vs. Case Temperature

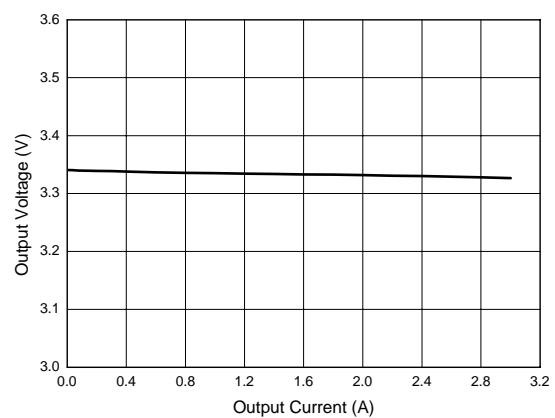


Figure 7. Output Voltage vs. Output Current

340kHz, 3A Synchronous DC-DC Buck Converter

AP3503

Typical Performance Characteristics (Continued)

$T_A=25^{\circ}\text{C}$, $V_{IN}=12\text{V}$, $V_{OUT}=3.3\text{V}$, unless otherwise noted.

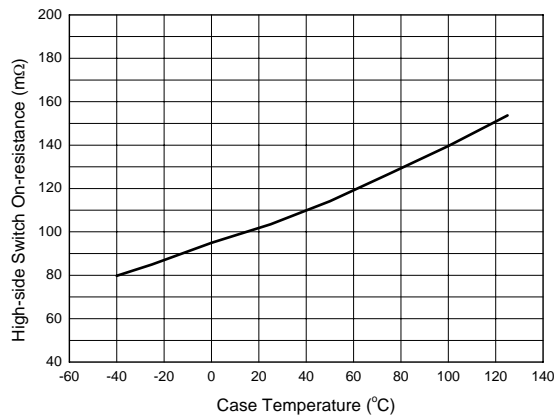


Figure 8. High-side Switch On-resistance vs. Case Temperature

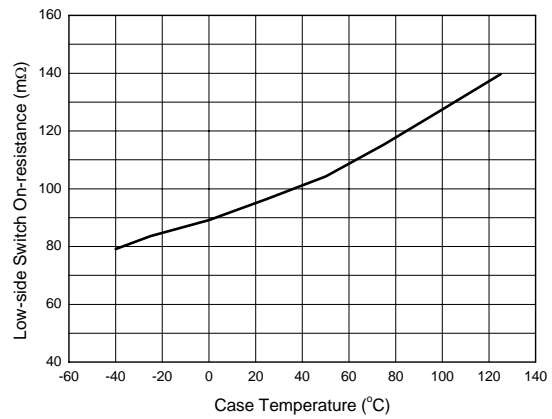


Figure 9. Low-side Switch On-resistance vs. Case Temperature

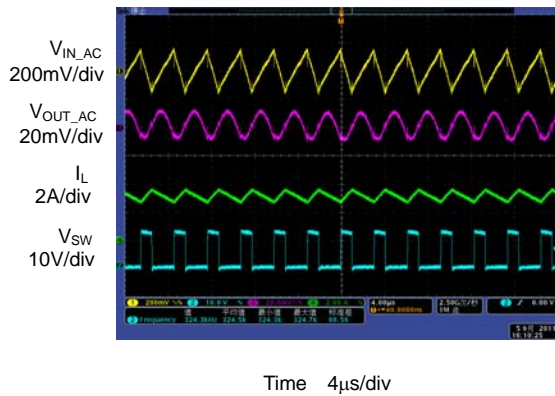


Figure 10. Output Ripple ($I_{OUT}=3\text{A}$)

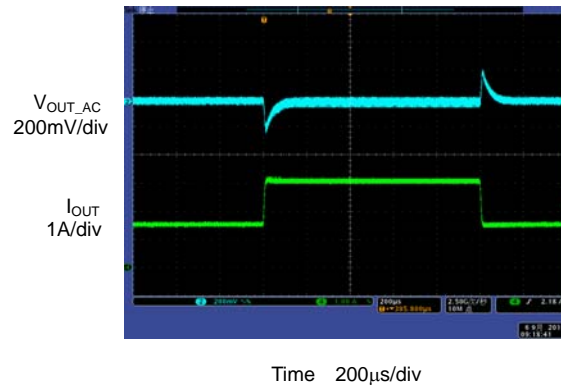


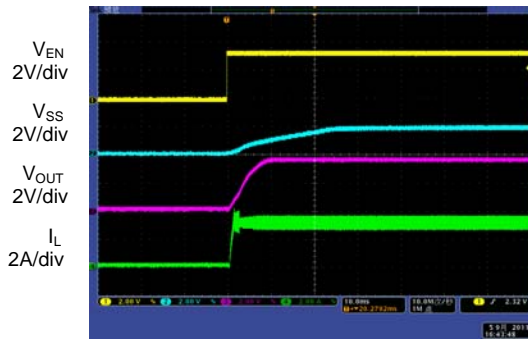
Figure 11. Load Transient ($I_{OUT}=1.5\text{A}$ to 3A)

340kHz, 3A Synchronous DC-DC Buck Converter

AP3503

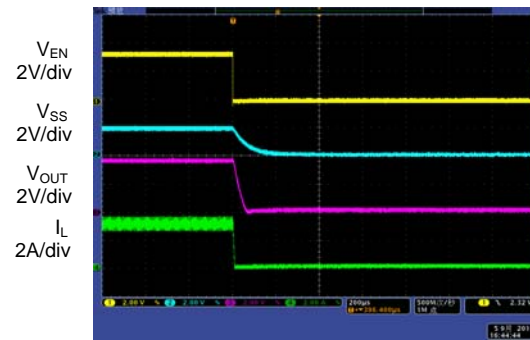
Typical Performance Characteristics (Continued)

$T_A=25^{\circ}\text{C}$, $V_{IN}=12\text{V}$, $V_{OUT}=3.3\text{V}$, unless otherwise noted.



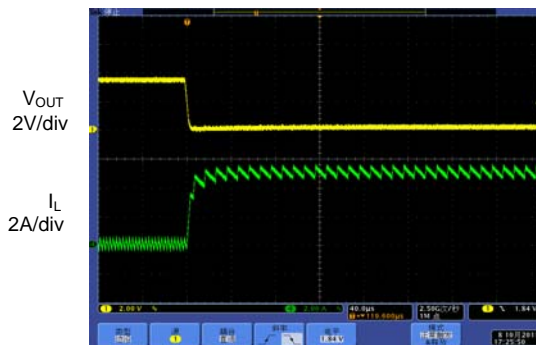
Time 10ms/div

Figure 12. Enable Turn on Characteristic ($V_{IN}=12\text{V}$, $V_{EN}=3.3\text{V}$, $V_{OUT}=3.3\text{V}$, $I_L=3\text{A}$)



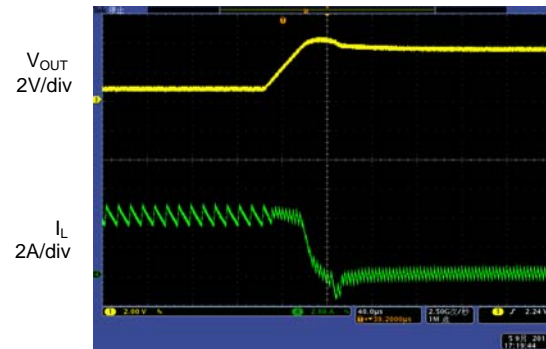
Time 200µs/div

Figure 13. Enable Turn off Characteristic ($V_{IN}=12\text{V}$, $V_{EN}=3.3\text{V}$, $V_{OUT}=3.3\text{V}$, $I_L=3\text{A}$)



Time 40µs/div

Figure 14. Short Circuit Protection ($I_{OUT}=0\text{A}$)



Time 40µs/div

Figure 15. Short Circuit Recovery ($I_{OUT}=0\text{A}$)

340kHz, 3A Synchronous DC-DC Buck Converter

AP3503

Typical Application

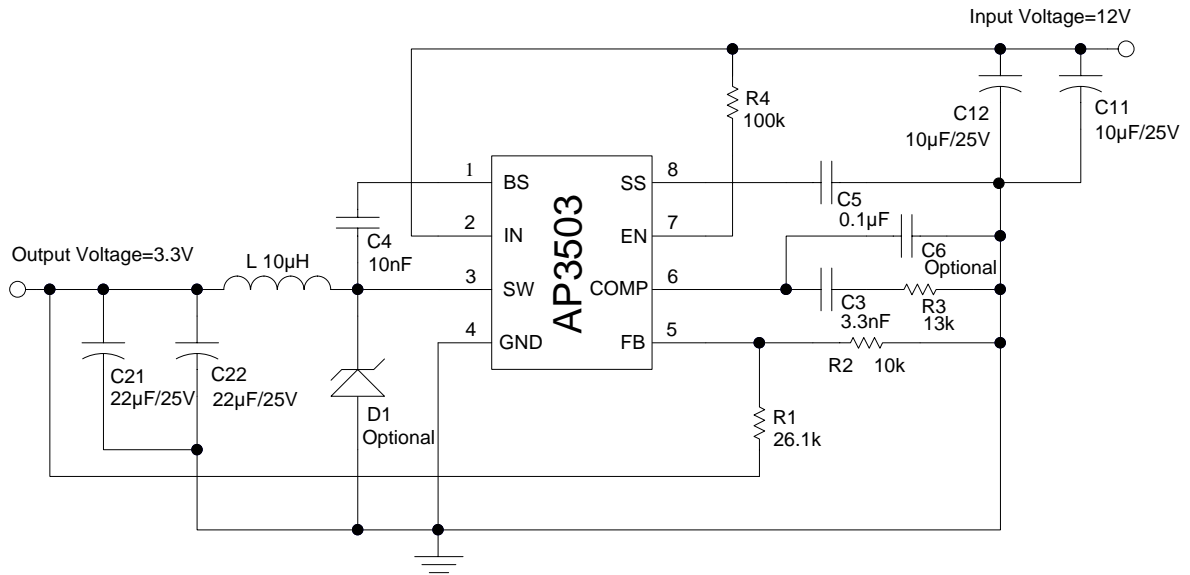
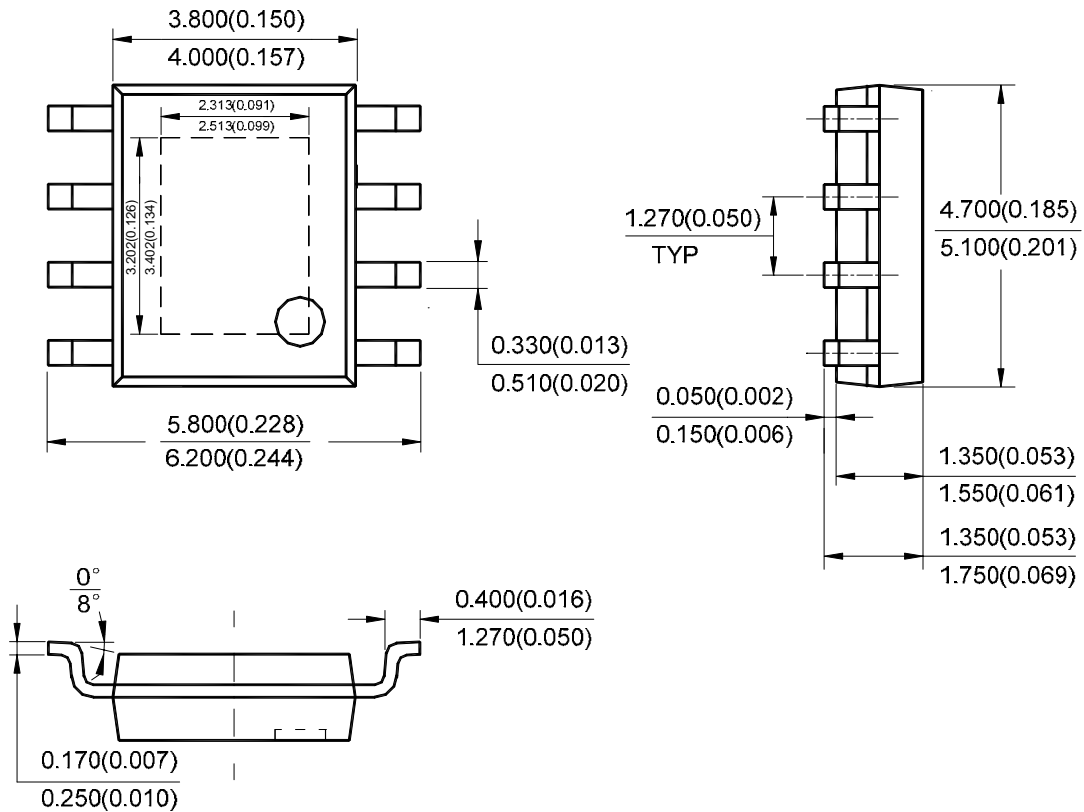


Figure 16. Typical Application of AP3503

Mechanical Dimensions

PSOP-8

Unit: mm(inch)



Note: Eject hole, oriented hole and mold mark is optional.



BCD Semiconductor Manufacturing Limited

<http://www.bcdsemi.com>

IMPORTANT NOTICE

BCD Semiconductor Manufacturing Limited reserves the right to make changes without further notice to any products or specifications herein. BCD Semiconductor Manufacturing Limited does not assume any responsibility for use of any its products for any particular purpose, nor does BCD Semiconductor Manufacturing Limited assume any liability arising out of the application or use of any its products or circuits. BCD Semiconductor Manufacturing Limited does not convey any license under its patent rights or other rights nor the rights of others.

MAIN SITE

- Headquarters

BCD Semiconductor Manufacturing Limited

No. 1600, Zi Xing Road, Shanghai Zizhu Science-based Industrial Park, 200241, China
Tel: +86-21-24162266, Fax: +86-21-24162277

- Wafer Fab

Shanghai SIM-BCD Semiconductor Manufacturing Co., Ltd.

800 Yi Shan Road, Shanghai 200233, China
Tel: +86-21-6485 1491, Fax: +86-21-5450 0008

REGIONAL SALES OFFICE

Shenzhen Office

Shanghai SIM-BCD Semiconductor Manufacturing Co., Ltd., Shenzhen Office

Unit A Room 1203, Skyworth Bldg., Gaoxin Ave. 1.S., Nanshan District, Shenzhen, China
Tel: +86-755-8826 7951
Fax: +86-755-8826 7865

Taiwan Office

BCD Semiconductor (Taiwan) Company Limited

4F, 298-1, Rui Guang Road, Nei-Hu District, Taipei, Taiwan
Tel: +886-2-2656 2808
Fax: +886-2-2656 2806

USA Office

BCD Semiconductor Corp.

30920 Huntwood Ave. Hayward, CA 94544, USA
Tel : +1-510-324-2988
Fax: +1-510-324-2788