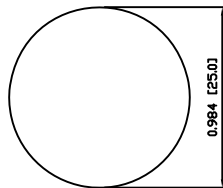
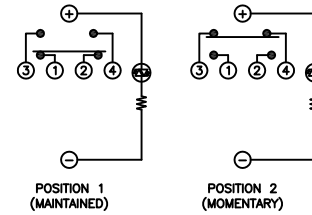


SUGGESTED PANEL CUTOUT



MAXIMUM PANEL THICKNESS: 0.394 [10.0mm]

SCHMATIC



SPECIFICATIONS

FUNCTION:
1PNO OFF-(ON) + 1PNC ON-(OFF)

RATING:
2A 48VDC

ILLUMINATION VOLTAGE:
24V 20mA

CONTACT RESISTANCE:
Initial: 50mΩ Max. at 1A 12VDC

INSULATION RESISTANCE:
1,000MΩ Min. at 500VDC

DIELECTRIC STRENGTH:
2,000VAC Min. for 1 Minute

ELECTRICAL LIFE:
50,000 Cycles

MECHANICAL LIFE:
1,000,000 Cycles

TEMPERATURE:
Operating: -40°C to 70°C

INGRESS PROTECTION:
IP65

APPROVALS:
RoHS
COMPLIANT

MATERIALS

BUSHING:
Stainless Steel (304)

BASE:
Polyamide 6/6 (PA66)

ACTUATOR:
Stainless Steel (304)
Polycarbonate (PC), UL94 V-2

HARDWARE:
Nickel Plated Brass (H59)

SEALING:
Silicone
Stainless Steel (304)

INNER ASSEMBLY:
Polyamide 6/6 (PA66)
Brass (H59)
Stainless Steel (304)

SPRING:
Stainless Steel (304)

CONTACTS:
Silver Plated Copper

TERMINALS:
Brass

O-RING:
Nitrile Butadiene Rubber (NBR)

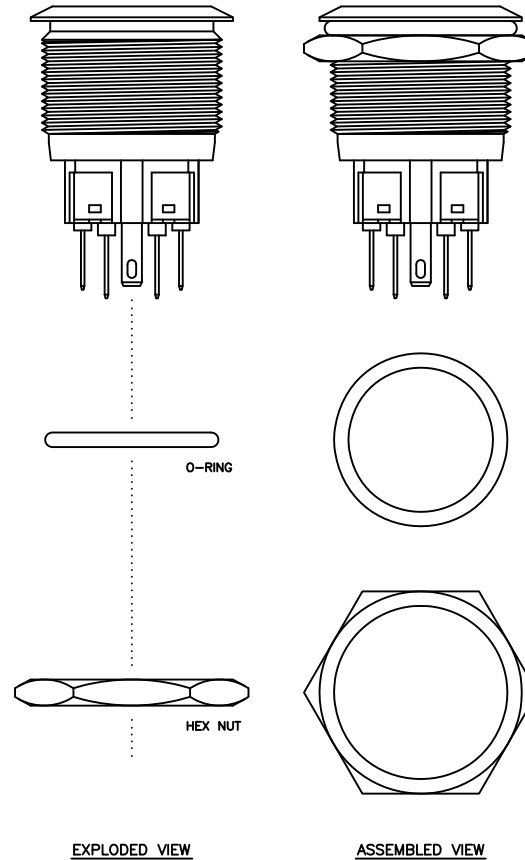
COLORS AND FINISH

BEZEL:
Stainless Steel
Machine Finish

ACTUATOR:
Stainless Steel
Machine Finish

ILLUMINATION:
Green (Forward)
Green (Reverse)

MARKING:
None



BODY	A	09/07/06	CAB
COLORS	A	09/07/06	CAB
MATERIALS	A	09/07/06	CAB
SPECIFICATIONS	A	09/07/06	CAB
REFERENCE	REV.	DATE	BY

THE INFORMATION CONTAINED IN THIS DOCUMENT IS PROPRIETARY TO E-SWITCH AND IS NOT TO BE COPIED OR TRANSFERRED

A	INITIAL RELEASE	PCRD0028	09/07/06	CAB
REV.	DESCRIPTION	PCR	DATE	DRAWN BY

DIMENSIONS	
INCHES [MILLIMETERS]	
GENERAL TOLERANCES	
±0.008 [±0.2] / ±1'	
SCALE	PROJECTION
DRAWING NOT TO SCALE	1:1

PV8F2Y1SS-235			
DRAWING NUMBER		DATE	
52-PV8F2Y1SS235		JULY 22, 2009	
REVISION		BY	
A		A	