



13003DE

Preliminary

NPN SILICON TRANSISTOR

SILICON TRIPLE DIFFUSION NPN BIPOLAR TRANSISTORS

DESCRIPTION

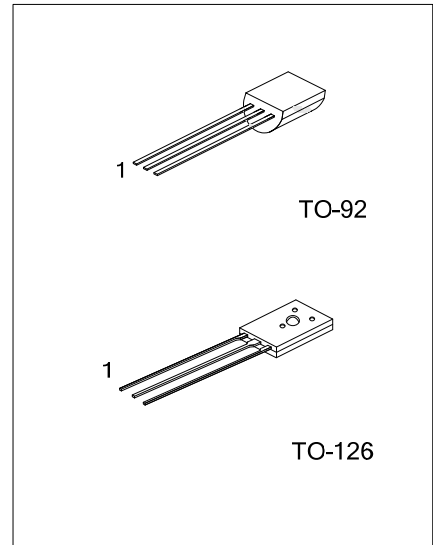
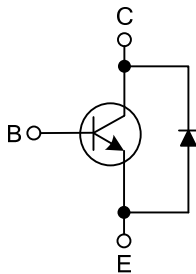
The UTC **13003DE** is a silicon NPN power switching transistor; it uses UTC's advanced technology to provide customers high collector-base breakdown voltage, low reverse leakage current and high reliability, etc.

The UTC **13003DE** is suitable for electronic ballasts and the general power switch circuit, etc.

FEATURES

- * High collector-base breakdown voltage
- * High reliability
- * Low reverse leakage current

EQUIVALENT CIRCUIT



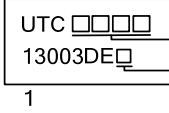
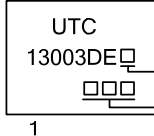
ORDERING INFORMATION

Ordering Number		Package	Pin Assignment			Packing
Lead Free	Halogen Free		1	2	3	
13003DEL-x-T60-K	13003DEG-x-T60-K	TO-126	B	C	E	Bulk
13003DEL-x-T92-B	13003DEG-x-T92-B	TO-92	E	C	B	Tape Box
13003DEL-x-T92-K	13003DEG-x-T92-K	TO-92	E	C	B	Bulk

Note: Pin Assignment: B: Base C: Collector E: Emitter

<p>13003DEL-x-T60-K</p> <p>(1) Packing Type (2) Package Type (3) Rank (4) Lead Free</p>	<p>(1) B: Bulk, K: Bulk (2) T60: TO-126, T92: TO-92 (3) x: refer to Classification of h_{FE} (4) L: Lead Free, G: Halogen Free</p>
---	---

■ MARKING INFORMATION

PACKAGE	MARKING
TO-126	 <p>UTC □□□□ 13003DE□ 1</p> <p>→ Data Code → L: Lead Free → P: Halogen Free</p>
TO-92	 <p>UTC 13003DE□ □□□ 1</p> <p>→ L: Lead Free → P: Halogen Free → Data Code</p>

■ ABSOLUTE MAXIMUM RATINGS ($T_A=25^{\circ}\text{C}$, unless otherwise noted)

PARAMETER	SYMBOL	RATINGS	UNIT
Collector-Base Voltage	V_{CBO}	600	V
Collector-Emitter Voltage	V_{CEO}	400	V
Emitter-Base Voltage	V_{EBO}	9	V
Continuous Collector Current	I_C	1.3	A
Power Dissipation	P_D	0.8	W
Junction Temperature	T_J	150	$^{\circ}\text{C}$
Storage Temperature Range	T_{STG}	-55~+150	$^{\circ}\text{C}$

Note: Absolute maximum ratings are those values beyond which the device could be permanently damaged.

Absolute maximum ratings are stress ratings only and functional device operation is not implied.

■ THERMAL DATA

PARAMETER	SYMBOL	RATING	UNIT
Junction to Ambient	θ_{JA}	156	$^{\circ}\text{C}/\text{W}$

■ ELECTRICAL CHARACTERISTICS ($T_A=25^{\circ}\text{C}$, unless otherwise noted)

PARAMETER	SYMBOL	TEST CONDITIONS	MIN	TYP	MAX	UNIT
Collector-Base Breakdown Voltage	BV_{CBO}	$I_C=0.1\text{mA}$	600			V
Collector-Emitter Breakdown Voltage	BV_{CEO}	$I_C=1\text{mA}$	400			V
Emitter-Base Breakdown Voltage	BV_{EBO}	$I_E=0.1\text{mA}$	9			V
Collector Cut-Off Current	I_{CBO}	$V_{CB}=600\text{V}, I_E=0$			0.1	mA
Collector-Emitter Cut-Off Current	I_{CEO}	$V_{CE}=400\text{V}, I_B=0$			0.1	mA
Emitter-Base Cut-Off Current	I_{EBO}	$V_{EB}=9\text{V}, I_C=0$			0.1	mA
DC Current Gain (Note 1)	h_{FE}	$I_C=0.2\text{A}, V_{CE}=5.0\text{V}$	15		30	
Low current and high current h_{FE2}/h_{FE1} ratio	h_{FE1}/h_{FE2}	$h_{FE1}: V_{CE}=5\text{V}, I_C=5\text{mA}$	0.75	0.9		
		$h_{FE2}: V_{CE}=5\text{V}, I_C=0.2\text{A}$				
Collector-Emitter Saturation Voltage (Note)	$V_{CE(SAT)}$	$I_C=0.5\text{A}, I_B=0.1\text{A}$		0.22	0.8	V
Base-Emitter Saturation Voltage (Note)	$V_{BE(SAT)}$	$I_C=0.5\text{A}, I_B=0.1\text{A}$		1	1.5	V
Storage Time	t_S	UI9600, $I_C=0.1\text{A}$	2		4	μs
Rise Time	t_R				1	μs
Fall Time	t_F				1	μs
Transition Frequency	f_T	$I_C=0.2\text{A}, V_{CE}=10\text{V}, f=1\text{MHz}$	5			MHz
Diode Forward Voltage	V_F	$I_F=1\text{A}$			1.5	V

Note: Pulse test, pulse width $t_p \leq 300\mu\text{s}$, Duty cycle $\leq 2\%$

■ CLASSIFICATION OF h_{FE}

RANK	A	B	C
RANGE	15 ~ 20	20 ~ 25	25 ~ 30

UTC assumes no responsibility for equipment failures that result from using products at values that exceed, even momentarily, rated values (such as maximum ratings, operating condition ranges, or other parameters) listed in products specifications of any and all UTC products described or contained herein. UTC products are not designed for use in life support appliances, devices or systems where malfunction of these products can be reasonably expected to result in personal injury. Reproduction in whole or in part is prohibited without the prior written consent of the copyright owner. The information presented in this document does not form part of any quotation or contract, is believed to be accurate and reliable and may be changed without notice.