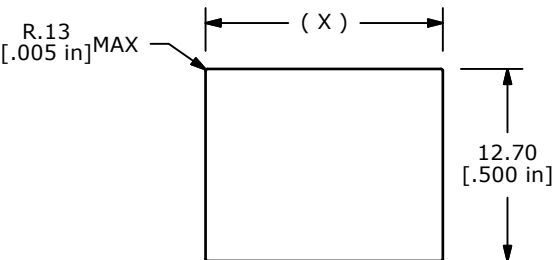
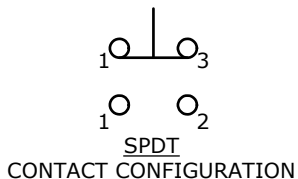


SWITCH FUNCTION	
POS. 1	POS. 2
ON	(ON)
1-3	1-2

(ON)=MOMENTARY

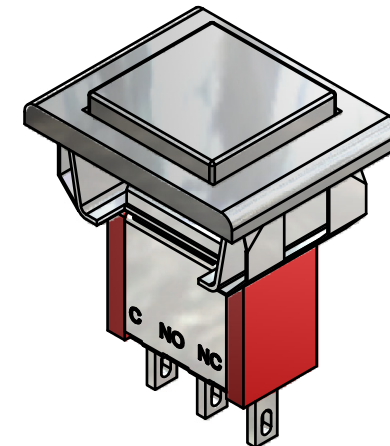
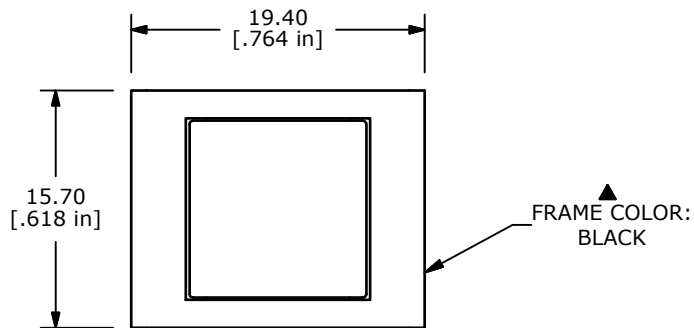


PANEL MOUNTING
1.19 TP 3.18 PANEL THICKNESS

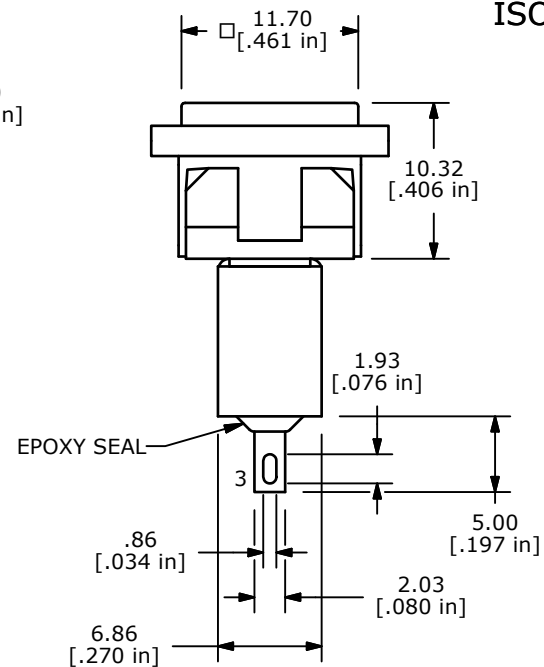
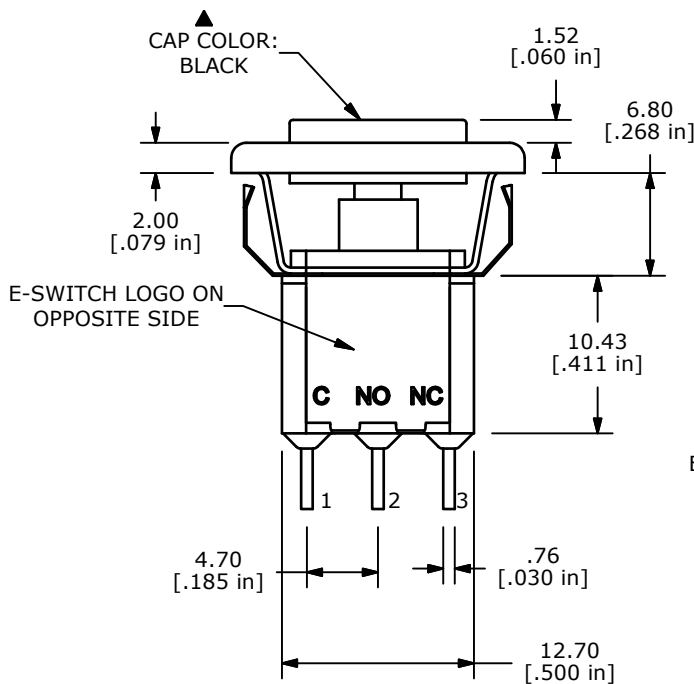
PANEL THICKNESS	(X) DIM.
1.19 - 2.30	15.70
2.31 - 3.18	15.75 - 15.88

NOTE:

- ALL DIMENSIONS IN MM [INCH]
- GENERAL TOLERANCE: X.X=±0.4
X.XX=±0.25
- TERMINAL NUMBERS FOR REF ONLY
- PLATING MATERIAL: GOLD
- RATING: 0.4VA MAX. @ 20VDC OR AC
- ELECTRIC LIFE: 50,000 MAKE-AND-BREAK CYCLES AT FULL LOAD
- INSULATION RESISTANCE: 1,000 MEGA-OHM MIN.
- ACTUATION FORCE: 300 ± 100gf
- TRAVEL: 1.0 ± 0.2mm
- CONTACT RESISTANCE: 20 mOHM MAX. TYPICAL @ 2-4 VDC
- DIELECTRIC STRENGTH: 1,000 V RMS @ SEA LEVEL.
- OPERATING TEMP.: -30°C to 85°C
- ▲ DENOTES CRITICAL PARAMETER.
- 2002/95/EC (ROHS) COMPLIANT.



ISOMETRIC



TITLE 700SP7M1REAP2BLKBLK

F	20057	DRAWING UPDATE / CLEAN-UP	7/27/11	BGL
REV	PCR NO	DESCRIPTION	DATE	BY

THE INFORMATION CONTAINED IN THIS DOCUMENT IS PROPRIETARY TO E-SWITCH AND IS NOT TO BE COPIED OR TRANSFERRED

SCALE	DATE	DR	DWG	REV
2:1	7/27/2011	BGL	T711002	F