

SPECIFICATIONS

Mechanical

Contact Retention Force: 0.13Kg min.
Durability: 50 Cycles

Electrical

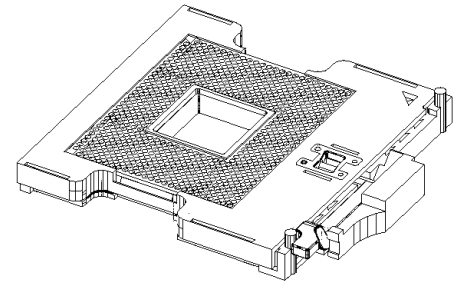
Contact Resistance: 25mΩ max.
Dielectric Withstanding Voltage: 360V VRMS min.
Insulation Resistance: 800MΩ min.

Physical

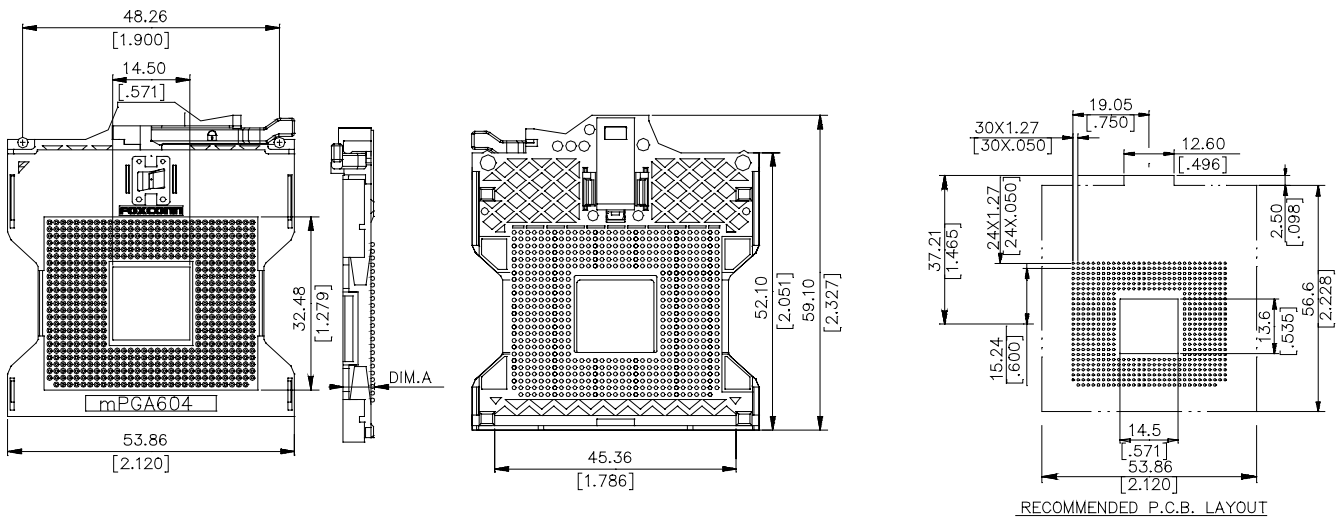
Cover: Thermoplastic, UL 94V-0 rated, Natural Color
Base: Thermoplastic, UL 94V-0 rated, Black Color
Cam: Zinc Alloy
Contact: Copper Alloy
Plating: See "ORDERING INFORMATION"
Operating Temperature: -40°C to +105°C

mPGA604 socket

BGA Series CPU Socket
Vertical, SMT Type
1.27mm [.050"] Pitch
604 Pos.



DRAWING



ORDERING INFORMATION

PRODUCT NO.: P Z 604 * 3 - 01 3 - T

P=PGA Socket
ZIF
Actual Loading Contacts No.
604=604 Pos.
Termination Type & Length
0=63/37 Sn/Pb;1=Lead Free Type
Contact Area Plating
3=30μ"Gold

T=Tooless Type
3=Dual Arm Contact
01=Plastic Cap

DIM A:
The Socket Height:
5.81±0.20mm Before Soldering On Board
5.65±0.20mm After Soldering On Board