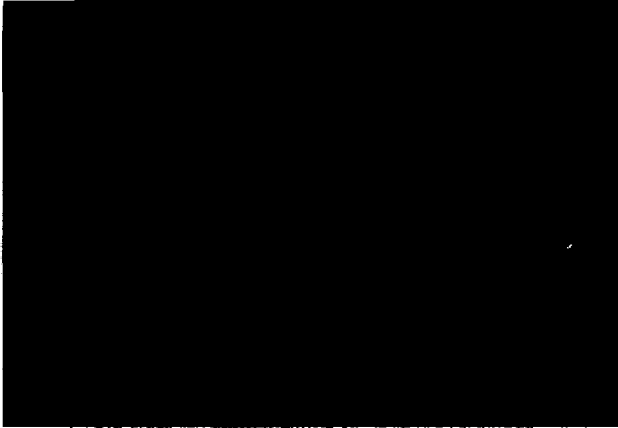


Augat's New "Intel® Qualified" LAZ ZIF PGA Sockets



Augat's New Generation Lever Actuated Zero insertion force (LAZ) Pin Grid Array sockets (PGA) make it easy for PC end users to upgrade their Intel based Pentium™ boxes into high performance Overdrive™ machines. This highly acclaimed ergonomic design provides the robustness needed for all types of applications, all in one space saving footprint.

FEATURES:

- Lever Actuated Zero insertion force contacts eliminate device and lead damage caused during insertion and withdrawal of traditional PGA sockets.
- Modified "V" Shaped contacts provide optimum normal force and our optimized dual beam contact system provides superior electrical and mechanical integrity to maximize reliability.
- Socket design incorporates an excellent balance of ergonomics and strength in a small outline package maximizing PCB real estate.
- Strong stainless steel actuating lever means lever will not break or bend from misuse like other type actuating handles.
- Available with open frame for allowing other PGA uses and providing easy access and processing of components located under the socket, saving PCB real estate.

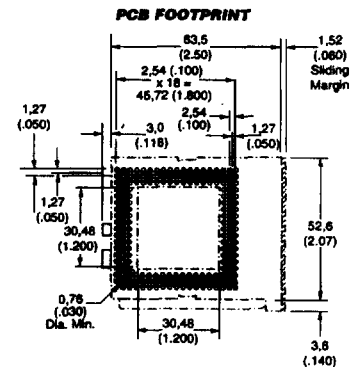
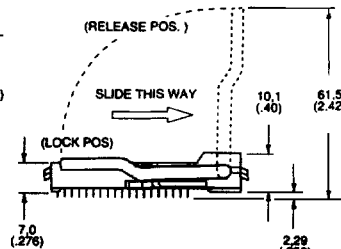
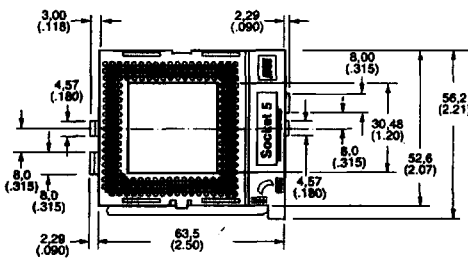
MATERIAL SPECIFICATIONS:

Insulator 94V-0 Rated Thermoplastic
Mechanical Lever Stainless Steel
Contact:
Base Metal Copper Alloy

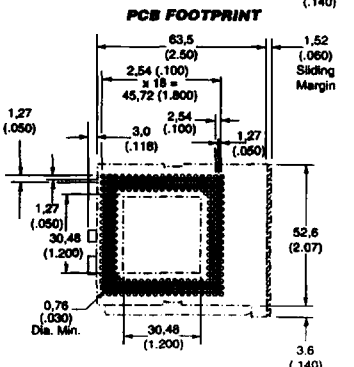
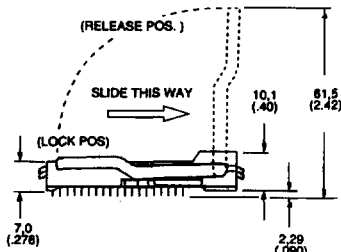
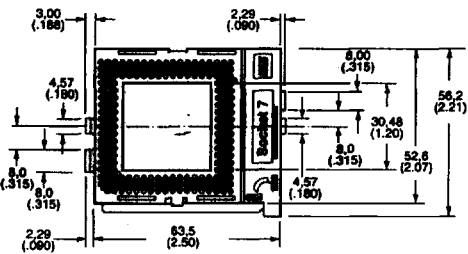
TYPICAL PERFORMANCE CHARACTERISTICS:

Current 1 Amp
Contact Resistance 20 Milliohms max., Initial
 30 Milliohms max., Final
Vibration Passed EIA-364-28
Shock Passed EIA-364-27
Cycles 50 Mate/Unmate cycles
Solderability 95% Coverage per EIA 364
 Test procedure 52

320 POSITION SOCKET
SOCKET 5
MP-AX159BCD203A



321 POSITION SOCKET
SOCKET 7
MP-AX164BCD213A



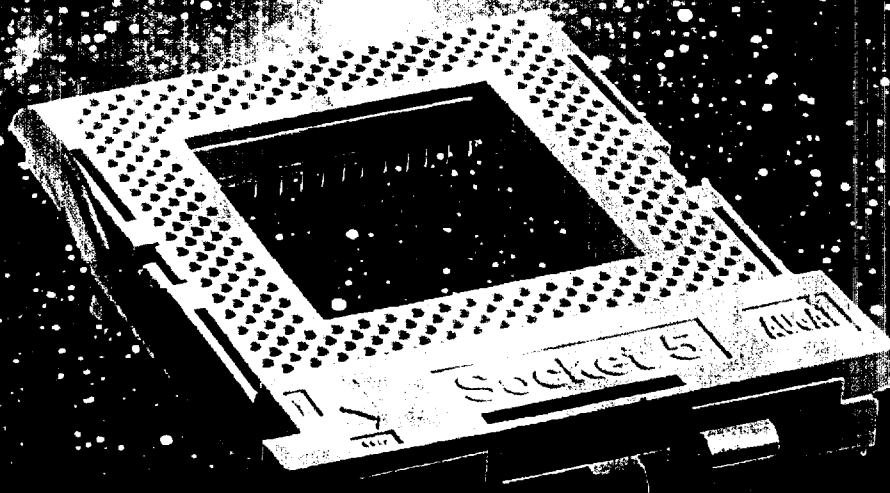
MP-AX159BCD203A

AUGAT®
Quality
and Innovation
Interconnection Products Division

©Augat Inc. Printed in USA 595660 5315
Specifications subject to change without notice

Augat Inc., 452 John Dietsch Blvd., Attleboro Falls, MA 02763 (508) 699-9800 FAX: (508) 699-6717

Whatever your interconnection needs for I.C. Sockets are intergalactic in scope or simply down to earth. The Augat Team boldly goes where no team has gone before in providing you Superb³ Solutions, Service and Quality. When you choose us to partner with, we guarantee you a stellar solution that shines like a super nova.



AUGAT[®] *Quality and Innovation*
Interconnection Products Division



ACCREDITED BY THE
DUTCH COUNCIL
FOR CERTIFICATION

ISO-9001 CERTIFICATED FIRM