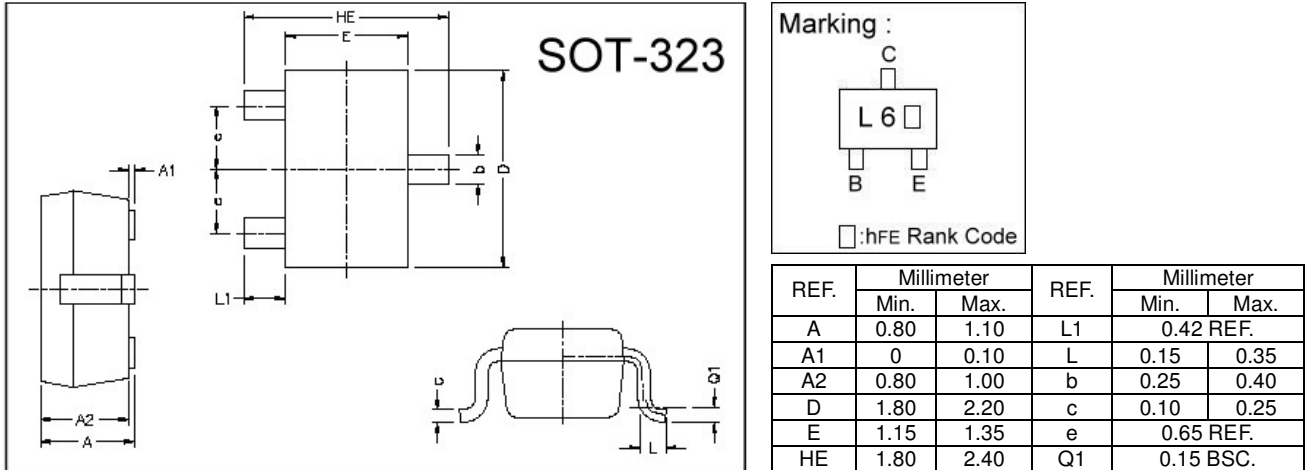


## GSMBT1623 NPN EPITAXIAL PLANAR TRANSISTOR

### Description

The GSMBT1623 is designed for use driver stage of AF amplifier and general purpose application.

### Package Dimensions



### Absolute Maximum Ratings at Ta = 25°C

Parameter	Symbol	Ratings	Unit
Junction Temperature	T <sub>j</sub>	+150	°C
Storage Temperature	T <sub>stg</sub>	-55 ~ +150	°C
Collector to Base Voltage	VCBO	60	V
Collector to Emitter Voltage	VCEO	50	V
Emitter to Base Voltage	VEBO	5	V
Collector Current	I <sub>C</sub>	150	mA
Total Power Dissipation	PD	250	mW

### Characteristics at Ta = 25°C

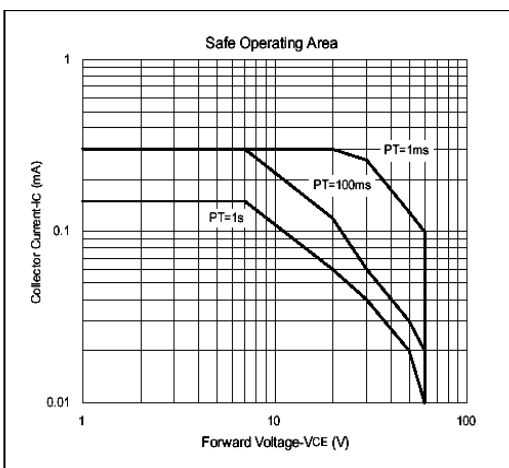
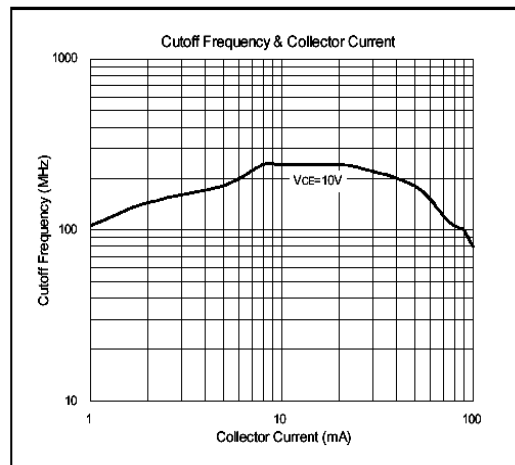
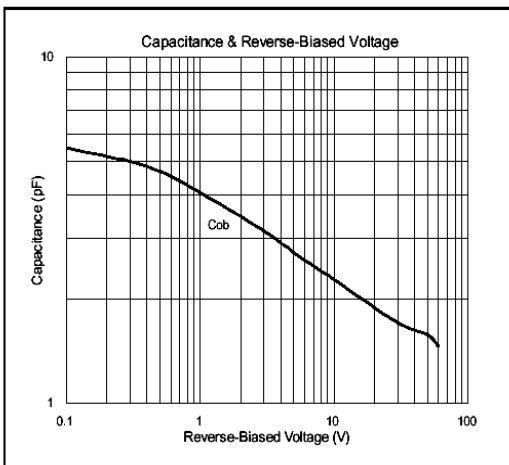
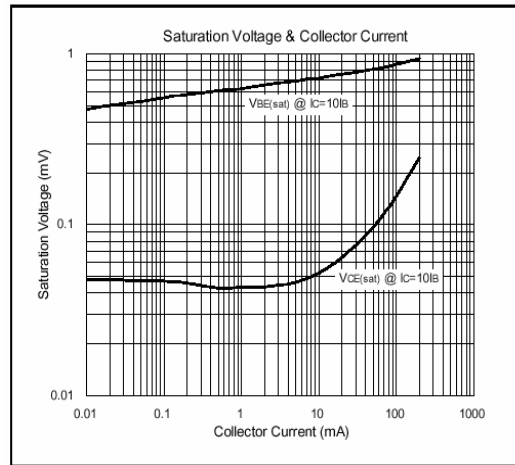
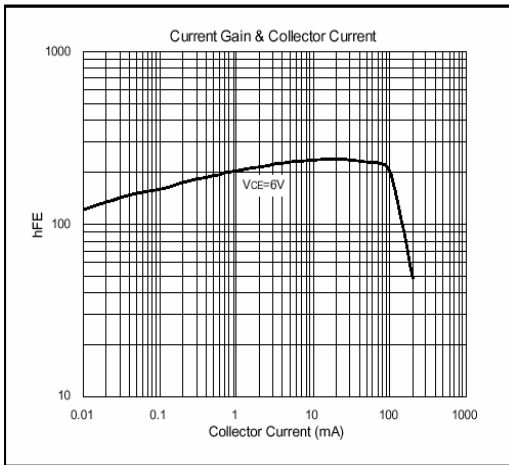
Symbol	Min.	Typ.	Max.	Unit	Test Conditions
BVCBO	60	-	-	V	I <sub>C</sub> =100uA
BVCEO	50	-	-	V	I <sub>C</sub> =1mA
BVEBO	5	-	-	V	I <sub>E</sub> =10uA
ICBO	-	-	100	nA	V <sub>CB</sub> =60V
IEBO	-	-	100	nA	V <sub>EB</sub> =5V
*VCE(sat)	-	-	250	mV	I <sub>C</sub> =100mA, I <sub>B</sub> =10mA
*VBE(sat)1	-	-	1.0	V	I <sub>C</sub> =100mA, I <sub>B</sub> =10mA
*hFE1	90	-	600		VCE=6V, IC=1mA
*hFE2	25	-	-		VCE=6V, IC=150mA
*hFE3	80	-	-		VCE=1V, IC=10mA
f <sub>T</sub>	80	-	-	MHz	VCE=10V, IC=1mA, f=100MHz
C <sub>ob</sub>	-	-	3.5	pF	V <sub>CB</sub> =10V, f=1MHz, I <sub>E</sub> =0A

\* Pulse Test: Pulse Width ≤ 380μs, Duty Cycle ≤ 2%

### Classification Of hFE1

Rank	L6P	L6Y	L6G	L6B
Range	90 - 180	135 - 270	200 - 400	300 - 600

## Characteristics Curve



**Important Notice:**

- All rights are reserved. Reproduction in whole or in part is prohibited without the prior written approval of GTM.
- GTM reserves the right to make changes to its products without notice.
- GTM semiconductor products are not warranted to be suitable for use in life-support Applications, or systems.
- GTM assumes no liability for any consequence of customer product design, infringement of patents, or application assistance.

**Head Office And Factory:**

- **Taiwan:** No. 17-1 Tatung Rd. Fu Kou Hsin-Chu Industrial Park, Hsin-Chu, Taiwan, R. O. C.
- TEL : 886-3-597-7061 FAX : 886-3-597-9220, 597-0785
- **China:** (201203) No.255, Jang-Jiang Tsai-Lueng RD. , Pu-Dung-Hsin District, Shang-Hai City, China
- TEL : 86-21-5895-7671 ~ 4 FAX : 86-21-38950165