

PLEASE CHECK WWW.MOLEX.COM FOR LATEST PART INFORMATION

Part Number: [0395433005](#)
Status: **Active**
Description: 5.00mm (.197") Pitch Eurostyle™ Vertical Fixed Mount PCB Terminal Block, 5 Circuits

Documents:

[3D Model](#)
[Drawing \(PDF\)](#)

[RoHS Certificate of Compliance \(PDF\)](#)

General

| | |
|-----------------------------|-----------------------------|
| Product Family | Terminal Blocks |
| Series | 39543 |
| Application | Wire-to-Board |
| Component Type | One Piece |
| Product Literature Order No | USA-355 |
| Product Name | ESE, Eurostyle™ Fixed Mount |
| Type | Euro Block |

Physical

| | |
|--------------------------------|--------------------|
| Circuits (Loaded) | 5 |
| Entry Angle | Horizontal |
| Lock to Mating Part | None |
| Number of Rows | 1 |
| Orientation | Vertical |
| PC Tail Length (in) | 0.118 In |
| PC Tail Length (mm) | 3.00 mm |
| PCB Thickness Recommended (in) | 0.080 In |
| PCB Thickness Recommended (mm) | 2.00 mm |
| Panel Mount | No |
| Pitch - Mating Interface (in) | 0.197 In |
| Pitch - Mating Interface (mm) | 5.00 mm |
| Polarized to Mating Part | N/A |
| Stackable | No |
| Temperature Range - Operating | -40°C to +105°C |
| Wire Size AWG | 14, 16, 18, 20, 22 |
| Wire Size mm² | 0.33 - 2.08 |

Electrical

| | |
|-------------------------------|------|
| Current - Maximum per Contact | 15A |
| Voltage - Maximum | 300V |

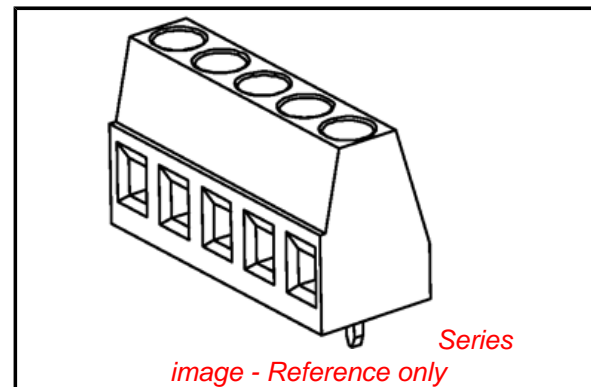
Solder Process Data

| | |
|--|------------------------|
| Duration at Max. Process Temperature (seconds) | 5 |
| Lead-free Process Capability | Wave Capable (TH only) |
| Max. Cycles at Max. Process Temperature | 135 |
| Process Temperature max. C | 260 |

Material Info

Reference - Drawing Numbers

Sales Drawing SD-39501-002, SD-39543-005



EU RoHS

**ELV and RoHS
Compliant**
REACH SVHC
 Not Reviewed
**Halogen-Free
Status**

China RoHS



Not Reviewed

**Need more information on product
environmental compliance?**

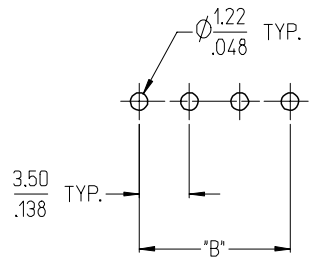
Email productcompliance@molex.com
 For a multiple part number RoHS Certificate of Compliance, [click here](#)

Please visit the [Contact Us](#) section for any non-product compliance questions.

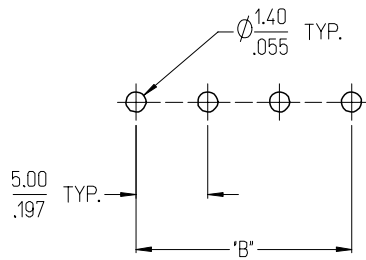
Search Parts in this Series

39543Series

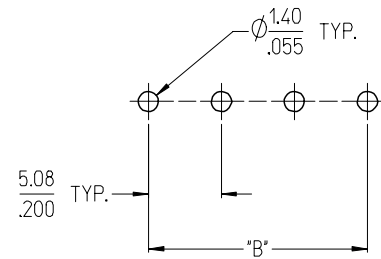
3950X SERIES
3.50mm HEADERS



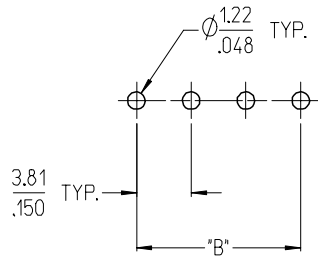
3952X & 3954X SERIES
5.00mm HEADERS
5.00mm 10 AMP FIXED



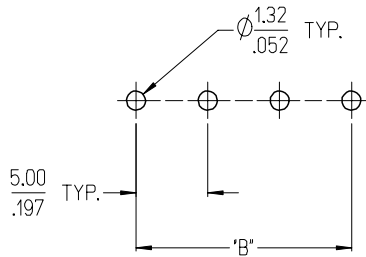
3953X SERIES
5.08mm HEADERS



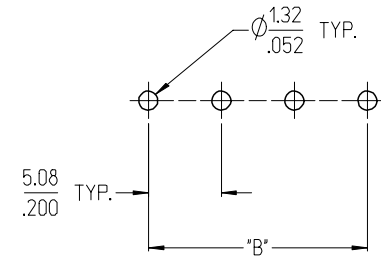
3951X SERIES
3.81mm HEADERS



3954X SERIES
5.00mm 15 AMP FIXED



3954X SERIES
5.08mm 15 AMP FIXED



NOTES:

- REFER TO INDIVIDUAL PRODUCT SALES DRAWINGS FOR "B" DIMENSION.
- DOES NOT APPLY TO DUAL LEVEL HEADERS, SERIES 39528 AND 39538.
- TYP. = TYPICAL.

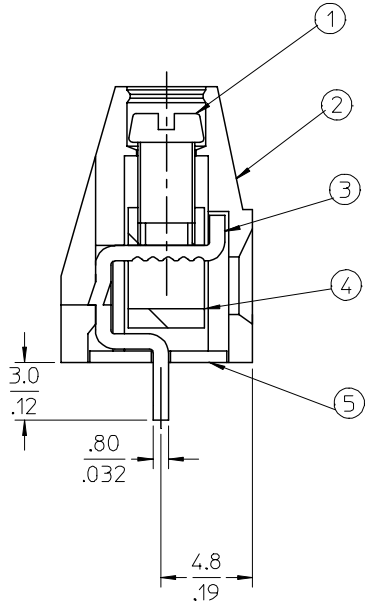
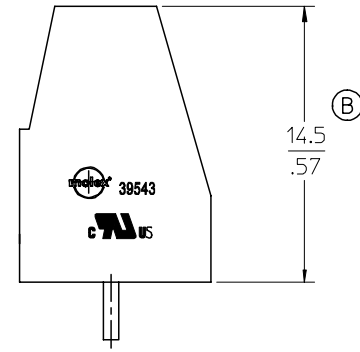
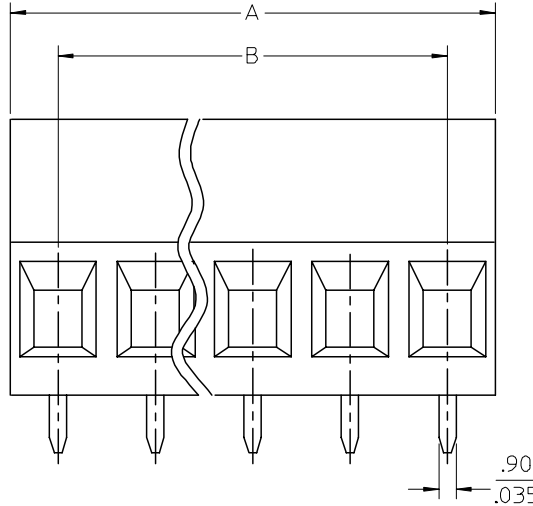
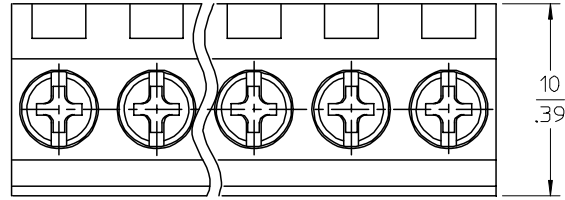
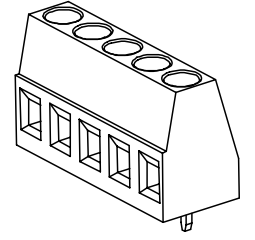
INITIAL RELEASE
EC NO: ETC2007-0096
DRW: CLYORK 2006/10/02
CHKD: JMACNEIL 2006/10/04
APPR: JMACNEIL 2006/10/04

| REV | DESCRIPTION |
|-----|-------------|
| A | |

| | QUALITY SYMBOLS | |
|---------------|-----------------|--------|
| | mm | INCH |
| 4 PLACES | ± .005 | ± .005 |
| 3 PLACES | ± .010 | ± .005 |
| 2 PLACES | ± 0.13 | ± .01 |
| 1 PLACE | ± 0.3 | ± .01 |
| ANGULAR ± 2 ° | | |

| GENERAL TOLERANCES (UNLESS SPECIFIED) | |
|---------------------------------------|--------|
| mm | INCH |
| 4 PLACES | ± .005 |
| 3 PLACES | ± .010 |
| 2 PLACES | ± 0.13 |
| 1 PLACE | ± 0.3 |
| ANGULAR ± 2 ° | |

| DIMENSION STYLE | SCALE | DESIGN UNITS | THIRD ANGLE PROJECTION |
|-----------------|------------|---|------------------------|
| MM/IN | 3:1 | INCH | |
| DRAWN BY | DATE | TITLE | |
| C. YORK | 2006/08/25 | RECOMMENDED PCB LAYOUT FOR ESE TERMINAL BLOCKS | |
| CHECKED BY | DATE | MOLEX INCORPORATED | |
| J. MACNEIL | 2006/08/25 | DOCUMENT NO. SD-39501-002 | |
| APPROVED BY | DATE | SHEET NO. 1 OF 1 | |
| J. MACNEIL | 2006/08/25 | | |
| MATERIAL NO. | --- | THIS DRAWING CONTAINS INFORMATION THAT IS PROPRIETARY TO MOLEX INCORPORATED AND SHOULD NOT BE USED WITHOUT WRITTEN PERMISSION | |



SPECIFICATIONS:

- 1. Material:
- (1). Screw: C1010.
- (2). Body: PA66
- (3). Terminal: Brass
- (4). cage: Brass
- (5). Cover: PA66
- 2. Wire range: 22 - 14AWG.
- 3. Electrical rating: 300V, 15A.
- 4. MAX TORQUE: 4.5 in-lbs.
- 5. Wire strip length: 5.00mm.
- 6. Insulation resistance: DC500V, 500M.
- 9. Operating temperature: -40C to +105C.
- 10. A = N x P.
- 11. B = (N - 1) x P
- 12. P = (Pitch) = 5.00MM (.197").
- 13. N = Number of positions available 2 through 24.
- (B) 14. ALL COMPONENTS ARE ROHS COMPLIANT.

ADDED DIM. & ROHS NOTE
 EC NO: ETC2007-0156
 DRW: NEHLE 2006/10/11
 CHKD: JMACNEIL 2006/10/11
 APPR: JMACNEIL 2006/10/12

| REV | DESCRIPTION |
|-----|-------------|
| B | |

| QUALITY SYMBOLS | |
|-----------------|----|
| | =0 |
| | =0 |

| GENERAL TOLERANCES (UNLESS SPECIFIED) | |
|---------------------------------------|--------------|
| | MM/IN |
| 4 PLACES | ± --- ±.0015 |
| 3 PLACES | ±0.038 ±.005 |
| 2 PLACES | ±0.13 ±.01 |
| 1 PLACE | ±0.3 ±--- |
| ANGULAR ± 2 ° | |

| | | | | |
|-----------------|--|---|--------------|------------------------|
| DIMENSION STYLE | | SCALE | DESIGN UNITS | THIRD ANGLE PROJECTION |
| MM/IN | | 4:1 | INCH | |
| DRAWN BY | | TITLE | | |
| LROTHAUS | | 5.0MM, EURO TERM BLOCK VERTICAL, PC MOUNT STAMPED TERMINAL | | |
| DATE | | MOLEX INCORPORATED | | |
| 12/6/05 | | SD-39543-005 | | |
| CHECKED BY | | DOCUMENT NO. | | SHEET NO. |
| C. YORK | | SD-39543-005 | | 1 OF 1 |
| DATE | | THIS DRAWING CONTAINS INFORMATION THAT IS PROPRIETARY TO MOLEX INCORPORATED AND SHOULD NOT BE USED WITHOUT WRITTEN PERMISSION | | |
| 01/06/06 | | | | |
| APPROVED BY | | | | |
| DATE | | | | |
| | | | | |

| Description | Circuit Size | Material Numbers | | | | | | Dimensional Information | | | |
|---------------------------------------|--------------|------------------|-----------|-----------|------------------|-----------|-----------|-------------------------|-------|--------|-------|
| | | Black | | | Green | | | Dim. A Dim B | | | |
| | | 100% Tin | | | 100% Tin | | | | | | |
| | | Printing Options | | | Printing Options | | | | | | |
| None | 10A | 11A | None | 10A | 11A | mm | inch | mm | inch | | |
| 5.0mm, Euro Block, PC Mount, Vertical | 2 | 395433002 | 395435002 | 395437002 | 395933002 | 395935002 | 395937002 | 10.00 | 0.394 | 5.00 | 0.197 |
| 5.0mm, Euro Block, PC Mount, Vertical | 3 | 395433003 | 395435003 | 395437003 | 395933003 | 395935003 | 395937003 | 15.00 | 0.591 | 10.00 | 0.394 |
| 5.0mm, Euro Block, PC Mount, Vertical | 4 | 395433004 | 395435004 | 395437004 | 395933004 | 395935004 | 395937004 | 20.00 | 0.787 | 15.00 | 0.591 |
| 5.0mm, Euro Block, PC Mount, Vertical | 5 | 395433005 | 395435005 | 395437005 | 395933005 | 395935005 | 395937005 | 25.00 | 0.984 | 20.00 | 0.787 |
| 5.0mm, Euro Block, PC Mount, Vertical | 6 | 395433006 | 395435006 | 395437006 | 395933006 | 395935006 | 395937006 | 30.00 | 1.181 | 25.00 | 0.984 |
| 5.0mm, Euro Block, PC Mount, Vertical | 7 | 395433007 | 395435007 | 395437007 | 395933007 | 395935007 | 395937007 | 35.00 | 1.378 | 30.00 | 1.181 |
| 5.0mm, Euro Block, PC Mount, Vertical | 8 | 395433008 | 395435008 | 395437008 | 395933008 | 395935008 | 395937008 | 40.00 | 1.575 | 35.00 | 1.378 |
| 5.0mm, Euro Block, PC Mount, Vertical | 9 | 395433009 | 395435009 | 395437009 | 395933009 | 395935009 | 395937009 | 45.00 | 1.772 | 40.00 | 1.575 |
| 5.0mm, Euro Block, PC Mount, Vertical | 10 | 395433010 | 395435010 | 395437010 | 395933010 | 395935010 | 395937010 | 50.00 | 1.969 | 45.00 | 1.772 |
| 5.0mm, Euro Block, PC Mount, Vertical | 11 | 395433011 | 395435011 | 395437011 | 395933011 | 395935011 | 395937011 | 55.00 | 2.165 | 50.00 | 1.969 |
| 5.0mm, Euro Block, PC Mount, Vertical | 12 | 395433012 | 395435012 | 395437012 | 395933012 | 395935012 | 395937012 | 60.00 | 2.362 | 55.00 | 2.165 |
| 5.0mm, Euro Block, PC Mount, Vertical | 13 | 395433013 | 395435013 | 395437013 | 395933013 | 395935013 | 395937013 | 65.00 | 2.559 | 60.00 | 2.362 |
| 5.0mm, Euro Block, PC Mount, Vertical | 14 | 395433014 | 395435014 | 395437014 | 395933014 | 395935014 | 395937014 | 70.00 | 2.756 | 65.00 | 2.559 |
| 5.0mm, Euro Block, PC Mount, Vertical | 15 | 395433015 | 395435015 | 395437015 | 395933015 | 395935015 | 395937015 | 75.00 | 2.953 | 70.00 | 2.756 |
| 5.0mm, Euro Block, PC Mount, Vertical | 16 | 395433016 | 395435016 | 395437016 | 395933016 | 395935016 | 395937016 | 80.00 | 3.150 | 75.00 | 2.953 |
| 5.0mm, Euro Block, PC Mount, Vertical | 17 | 395433017 | 395435017 | 395437017 | 395933017 | 395935017 | 395937017 | 85.00 | 3.346 | 80.00 | 3.150 |
| 5.0mm, Euro Block, PC Mount, Vertical | 18 | 395433018 | 395435018 | 395437018 | 395933018 | 395935018 | 395937018 | 90.00 | 3.543 | 85.00 | 3.346 |
| 5.0mm, Euro Block, PC Mount, Vertical | 19 | 395433019 | 395435019 | 395437019 | 395933019 | 395935019 | 395937019 | 95.00 | 3.740 | 90.00 | 3.543 |
| 5.0mm, Euro Block, PC Mount, Vertical | 20 | 395433020 | 395435020 | 395437020 | 395933020 | 395935020 | 395937020 | 100.00 | 3.937 | 95.00 | 3.740 |
| 5.0mm, Euro Block, PC Mount, Vertical | 21 | 395433021 | 395435021 | 395437021 | 395933021 | 395935021 | 395937021 | 105.00 | 4.134 | 100.00 | 3.937 |
| 5.0mm, Euro Block, PC Mount, Vertical | 22 | 395433022 | 395435022 | 395437022 | 395933022 | 395935022 | 395937022 | 110.00 | 4.331 | 105.00 | 4.134 |
| 5.0mm, Euro Block, PC Mount, Vertical | 23 | 395433023 | 395435023 | 395437023 | 395933023 | 395935023 | 395937023 | 115.00 | 4.528 | 110.00 | 4.331 |
| 5.0mm, Euro Block, PC Mount, Vertical | 24 | 395433024 | 395435024 | 395437024 | 395933024 | 395935024 | 395937024 | 120.00 | 4.724 | 115.00 | 4.528 |

| | | | | | | | | | | |
|---|-------------------------------|---------------------------------------|---------|--|------|---------------------------|----------------------|---|---------------------|--|
| ADDED DIM. & ROHS NOTE EC NO: ETC2007-0156 DRW: JHLE 2006/10/11 CHKD: JMACNEIL 2006/10/11 APPR: JMACNEIL 2006/10/12 | QUALITY SYMBOLS ▽=0 ▽=0 | GENERAL TOLERANCES (UNLESS SPECIFIED) | | DIMENSION STYLE MM/IN | | SCALE 4:1 | DESIGN UNITS INCH | THIRD ANGLE PROJECTION | | |
| | | | | mm | INCH | DRAWN BY LROTHAUS | DATE 12/6/05 | TITLE 5.0MM, EURO TERM. BLOCK VERTICAL, PC MOUNT, STAMPED TERMINAL | | |
| | | 4 PLACES ± --- | ± .0015 | | | CHECKED BY C. YORK | DATE 01/06/06 | | | |
| | | 3 PLACES ± 0.038 | ± .005 | | | APPROVED BY | DATE | MOLEX INCORPORATED | | |
| 2 PLACES ± 0.13 | ± .01 | | | | | | | | | |
| 1 PLACE ± 0.3 | ± --- | | | ANGULAR ± 2 ° | | MATERIAL NO. SEE CHART | | DOCUMENT NO. SD-39543-005 | SHEET NO. 2 OF 2 | |
| DRAFT WHERE APPLICABLE MUST REMAIN WITHIN DIMENSIONS | | | | THIS DRAWING CONTAINS INFORMATION THAT IS PROPRIETARY TO MOLEX INCORPORATED AND SHOULD NOT BE USED WITHOUT WRITTEN PERMISSION | | | | | | |