



North/Latin America
Europe/Africa
Asia/Oceania

Internal Use Only

<http://aic.lgservice.com>
<http://eic.lgservice.com>
<http://biz.lgservice.com>

LCD TV

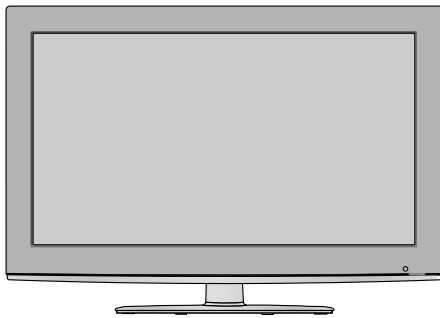
SERVICE MANUAL

CHASSIS : LA04A

MODEL : 32LD350 32LD350-UA

CAUTION

BEFORE SERVICING THE CHASSIS,
READ THE SAFETY PRECAUTIONS IN THIS MANUAL.



CONTENTS

CONTENTS	2
SAFETY PRECAUTIONS	3
SPECIFICATION	6
ADJUSTMENT INSTRUCTION	10
EXPLODED VIEW	16
SVC. SHEET	

SAFETY PRECAUTIONS

IMPORTANT SAFETY NOTICE

Many electrical and mechanical parts in this chassis have special safety-related characteristics. These parts are identified by ⚠ in the Schematic Diagram and Exploded View.

It is essential that these special safety parts should be replaced with the same components as recommended in this manual to prevent Shock, Fire, or other Hazards.

Do not modify the original design without permission of manufacturer.

General Guidance

An **isolation Transformer should always be used** during the servicing of a receiver whose chassis is not isolated from the AC power line. Use a transformer of adequate power rating as this protects the technician from accidents resulting in personal injury from electrical shocks.

It will also protect the receiver and its components from being damaged by accidental shorts of the circuitry that may be inadvertently introduced during the service operation.

If any fuse (or Fusible Resistor) in this TV receiver is blown, replace it with the specified.

When replacing a high wattage resistor (Oxide Metal Film Resistor, over 1W), keep the resistor 10mm away from PCB.

Keep wires away from high voltage or high temperature parts.

Before returning the receiver to the customer,

always perform an **AC leakage current check** on the exposed metallic parts of the cabinet, such as antennas, terminals, etc., to be sure the set is safe to operate without damage of electrical shock.

Leakage Current Cold Check(Antenna Cold Check)

With the instrument AC plug removed from AC source, connect an electrical jumper across the two AC plug prongs. Place the AC switch in the on position, connect one lead of ohm-meter to the AC plug prongs tied together and touch other ohm-meter lead in turn to each exposed metallic parts such as antenna terminals, phone jacks, etc.

If the exposed metallic part has a return path to the chassis, the measured resistance should be between $1M\Omega$ and $5.2M\Omega$.

When the exposed metal has no return path to the chassis the reading must be infinite.

An other abnormality exists that must be corrected before the receiver is returned to the customer.

Leakage Current Hot Check (See below Figure)

Plug the AC cord directly into the AC outlet.

Do not use a line Isolation Transformer during this check.

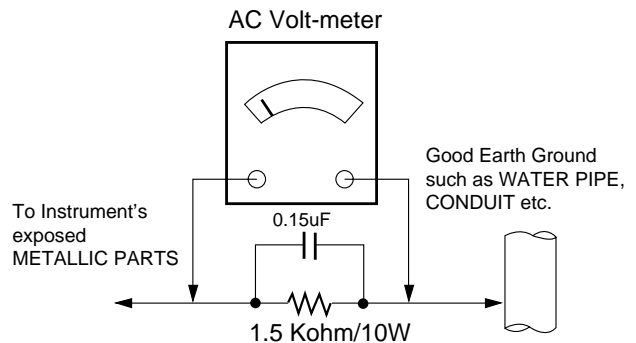
Connect 1.5K/10watt resistor in parallel with a 0.15uF capacitor between a known good earth ground (Water Pipe, Conduit, etc.) and the exposed metallic parts.

Measure the AC voltage across the resistor using AC voltmeter with 1000 ohms/volt or more sensitivity.

Reverse plug the AC cord into the AC outlet and repeat AC voltage measurements for each exposed metallic part. Any voltage measured must not exceed 0.75 volt RMS which corresponds to 0.5mA.

In case any measurement is out of the limits specified, there is possibility of shock hazard and the set must be checked and repaired before it is returned to the customer.

Leakage Current Hot Check circuit



SERVICING PRECAUTIONS

CAUTION: Before servicing receivers covered by this service manual and its supplements and addenda, read and follow the *SAFETY PRECAUTIONS* on page 3 of this publication.

NOTE: If unforeseen circumstances create conflict between the following servicing precautions and any of the safety precautions on page 3 of this publication, always follow the safety precautions. Remember: Safety First.

General Servicing Precautions

1. Always unplug the receiver AC power cord from the AC power source before;
 - a. Removing or reinstalling any component, circuit board module or any other receiver assembly.
 - b. Disconnecting or reconnecting any receiver electrical plug or other electrical connection.
 - c. Connecting a test substitute in parallel with an electrolytic capacitor in the receiver.

CAUTION: A wrong part substitution or incorrect polarity installation of electrolytic capacitors may result in an explosion hazard.

2. Test high voltage only by measuring it with an appropriate high voltage meter or other voltage measuring device (DVM, FETVOM, etc) equipped with a suitable high voltage probe. Do not test high voltage by "drawing an arc".

3. Do not spray chemicals on or near this receiver or any of its assemblies.

4. Unless specified otherwise in this service manual, clean electrical contacts only by applying the following mixture to the contacts with a pipe cleaner, cotton-tipped stick or comparable non-abrasive applicator; 10% (by volume) Acetone and 90% (by volume) isopropyl alcohol (90%-99% strength)

CAUTION: This is a flammable mixture.

Unless specified otherwise in this service manual, lubrication of contacts is not required.

5. Do not defeat any plug/socket B+ voltage interlocks with which receivers covered by this service manual might be equipped.
6. Do not apply AC power to this instrument and/or any of its electrical assemblies unless all solid-state device heat sinks are correctly installed.

7. Always connect the test receiver ground lead to the receiver chassis ground before connecting the test receiver positive lead.

Always remove the test receiver ground lead last.

8. *Use with this receiver only the test fixtures specified in this service manual.*

CAUTION: Do not connect the test fixture ground strap to any heat sink in this receiver.

Electrostatically Sensitive (ES) Devices

Some semiconductor (solid-state) devices can be damaged easily by static electricity. Such components commonly are called *Electrostatically Sensitive (ES) Devices*. Examples of typical ES devices are integrated circuits and some field-effect transistors and semiconductor "chip" components. The following techniques should be used to help reduce the incidence of component damage caused by static by static electricity.

1. Immediately before handling any semiconductor component or semiconductor-equipped assembly, drain off any electrostatic charge on your body by touching a known earth ground. Alternatively, obtain and wear a commercially available discharging wrist strap device, which should be removed to prevent potential shock reasons prior to applying power to the

unit under test.

2. After removing an electrical assembly equipped with ES devices, place the assembly on a conductive surface such as aluminum foil, to prevent electrostatic charge buildup or exposure of the assembly.

3. Use only a grounded-tip soldering iron to solder or unsolder ES devices.

4. Use only an anti-static type solder removal device. Some solder removal devices not classified as "anti-static" can generate electrical charges sufficient to damage ES devices.

5. Do not use freon-propelled chemicals. These can generate electrical charges sufficient to damage ES devices.

6. Do not remove a replacement ES device from its protective package until immediately before you are ready to install it. (Most replacement ES devices are packaged with leads electrically shorted together by conductive foam, aluminum foil or comparable conductive material).

7. Immediately before removing the protective material from the leads of a replacement ES device, touch the protective material to the chassis or circuit assembly into which the device will be installed.

CAUTION: Be sure no power is applied to the chassis or circuit, and observe all other safety precautions.

8. Minimize bodily motions when handling unpackaged replacement ES devices. (Otherwise harmless motion such as the brushing together of your clothes fabric or the lifting of your foot from a carpeted floor can generate static electricity sufficient to damage an ES device.)

General Soldering Guidelines

1. Use a grounded-tip, low-wattage soldering iron and appropriate tip size and shape that will maintain tip temperature within the range or 500°F to 600°F.

2. Use an appropriate gauge of RMA resin-core solder composed of 60 parts tin/40 parts lead.

3. Keep the soldering iron tip clean and well tinned.

4. Thoroughly clean the surfaces to be soldered. Use a mall wire-bristle (0.5 inch, or 1.25cm) brush with a metal handle.

Do not use freon-propelled spray-on cleaners.

5. Use the following unsoldering technique

- a. Allow the soldering iron tip to reach normal temperature. (500°F to 600°F)

- b. Heat the component lead until the solder melts.

- c. Quickly draw the melted solder with an anti-static, suction-type solder removal device or with solder braid.

CAUTION: Work quickly to avoid overheating the circuit board printed foil.

6. Use the following soldering technique.

- a. Allow the soldering iron tip to reach a normal temperature (500°F to 600°F)

- b. First, hold the soldering iron tip and solder the strand against the component lead until the solder melts.

- c. Quickly move the soldering iron tip to the junction of the component lead and the printed circuit foil, and hold it there only until the solder flows onto and around both the component lead and the foil.

CAUTION: Work quickly to avoid overheating the circuit board printed foil.

- d. Closely inspect the solder area and remove any excess or splashed solder with a small wire-bristle brush.

IC Remove/Replacement

Some chassis circuit boards have slotted holes (oblong) through which the IC leads are inserted and then bent flat against the circuit foil. When holes are the slotted type, the following technique should be used to remove and replace the IC. When working with boards using the familiar round hole, use the standard technique as outlined in paragraphs 5 and 6 above.

Removal

1. Desolder and straighten each IC lead in one operation by gently prying up on the lead with the soldering iron tip as the solder melts.
2. Draw away the melted solder with an anti-static suction-type solder removal device (or with solder braid) before removing the IC.

Replacement

1. Carefully insert the replacement IC in the circuit board.
2. Carefully bend each IC lead against the circuit foil pad and solder it.
3. Clean the soldered areas with a small wire-bristle brush. (It is not necessary to reapply acrylic coating to the areas).

"Small-Signal" Discrete Transistor

Removal/Replacement

1. Remove the defective transistor by clipping its leads as close as possible to the component body.
2. Bend into a "U" shape the end of each of three leads remaining on the circuit board.
3. Bend into a "U" shape the replacement transistor leads.
4. Connect the replacement transistor leads to the corresponding leads extending from the circuit board and crimp the "U" with long nose pliers to insure metal to metal contact then solder each connection.

Power Output, Transistor Device

Removal/Replacement

1. Heat and remove all solder from around the transistor leads.
2. Remove the heat sink mounting screw (if so equipped).
3. Carefully remove the transistor from the heat sink of the circuit board.
4. Insert new transistor in the circuit board.
5. Solder each transistor lead, and clip off excess lead.
6. Replace heat sink.

Diode Removal/Replacement

1. Remove defective diode by clipping its leads as close as possible to diode body.
2. Bend the two remaining leads perpendicular y to the circuit board.
3. Observing diode polarity, wrap each lead of the new diode around the corresponding lead on the circuit board.
4. Securely crimp each connection and solder it.
5. Inspect (on the circuit board copper side) the solder joints of the two "original" leads. If they are not shiny, reheat them and if necessary, apply additional solder.

Fuse and Conventional Resistor

Removal/Replacement

1. Clip each fuse or resistor lead at top of the circuit board hollow stake.
2. Securely crimp the leads of replacement component around notch at stake top.
3. Solder the connections.

CAUTION: Maintain original spacing between the replaced component and adjacent components and the circuit board to prevent excessive component temperatures.

Circuit Board Foil Repair

Excessive heat applied to the copper foil of any printed circuit board will weaken the adhesive that bonds the foil to the circuit board causing the foil to separate from or "lift-off" the board. The following guidelines and procedures should be followed whenever this condition is encountered.

At IC Connections

To repair a defective copper pattern at IC connections use the following procedure to install a jumper wire on the copper pattern side of the circuit board. (Use this technique only on IC connections).

1. Carefully remove the damaged copper pattern with a sharp knife. (Remove only as much copper as absolutely necessary).
2. Carefully scratch away the solder resist and acrylic coating (if used) from the end of the remaining copper pattern.
3. Bend a small "U" in one end of a small gauge jumper wire and carefully crimp it around the IC pin. Solder the IC connection.
4. Route the jumper wire along the path of the out-away copper pattern and let it overlap the previously scraped end of the good copper pattern. Solder the overlapped area and clip off any excess jumper wire.

At Other Connections

Use the following technique to repair the defective copper pattern at connections other than IC Pins. This technique involves the installation of a jumper wire on the component side of the circuit board.

1. Remove the defective copper pattern with a sharp knife. Remove at least 1/4 inch of copper, to ensure that a hazardous condition will not exist if the jumper wire opens.
2. Trace along the copper pattern from both sides of the pattern break and locate the nearest component that is directly connected to the affected copper pattern.
3. Connect insulated 20-gauge jumper wire from the lead of the nearest component on one side of the pattern break to the lead of the nearest component on the other side. Carefully crimp and solder the connections.
CAUTION: Be sure the insulated jumper wire is dressed so the it does not touch components or sharp edges.

SPECIFICATION

NOTE : Specifications and others are subject to change without notice for improvement.

1. Application range

This spec sheet is applied all of the 19", 22", 26", 32" LCD TV with LA04A chassis.

2. Requirement for Test

Each part is tested as below without special appointment.

- 1) Temperature: 25±5°C, (77°±9°F), CST: 40±5°C
- 2) Relative Humidity: 65±10%
- 3) Power Voltage : Standard input voltage(100-240V~, 50/60Hz)
* Standard Voltage of each product is marked by models
- 4) Specification and performance of each parts are followed each drawing and specification by part number in accordance with BOM.
- 5) The receiver must be operated for about 20 minutes prior to the adjustment.

3. Test method

- 1) Performance: LGE TV test method followed
- 2) Demanded other specification
 - Safety : UL, CSA, IEC specification
 - EMC: FCC, ICES, IEC specification

Model	Market	Appliance
19LD350-UB	North America	Safety : UL1492, CSA C22.2.No.1, EMC : FCC Class B, IEC Class B
22LD350-UB		
26LD350-UB		
32LD350-UB		

4. General Specification(TV)

No	Item	Specification		Remark
1	Receivable System	1) ATSC / NTSC-M		
2	Available Channel	VHF : 02 ~ 13 UHF : 14 ~ 69 DTV : 02 ~ 69 CATV : 01 ~ 135 CADTV : 01 ~ 135		
3	Input Voltage	1) AC 100 ~ 240V 50/60Hz		
4	Market	North America		
5	Screen Size	19 inch Wide(1366x 768) 22 inch Wide(1366x 768) 26 inch Wide(1366x 768) 32 inch Wide(1366x 768)	HD HD HD HD	19LD350-UB 22LD350-UB 26LD350-UB 32LD350-UB
6	Aspect Ratio	16:9		
7	Tuning System	FS		
8	LCD Module	CMO 18.5 HD 60 CCFL LC190WH1-TLC1 CMO 21.6 HD 60 CCFL LC220WXE-TBA1 Sharp 26 HD 60 CCFL T260XW04-V3 T315XW03-V1	CMO LGD(V4) CMO LGD(V4) Sharp AUO AUO	
9	Operating Environment	Temp : 0 ~ 40 deg Humidity : ~ 80 %		
10	Storage Environment	Temp : -20 ~ 60 deg Humidity : -85 %		

5. Chrominance & Luminance

5.1. 32LD350-UB (AUO)

No.	Item		Min	Typ	Max	Unit	Remarks
1	Max Luminance (Center 1-point / Full White Pattern)	Module Set	245 300	294 380		cd/m ²	
2	Luminance uniformity						
3	Color coordinate (Default)	RED	X	Typ. -0.03	0.64	Typ. +0.03	
			Y		0.33		
		GREEN	X		0.29		
			Y		0.60		
		BLUE	X		0.15		
			Y		0.05		
		WHITE	X		0.28		
			Y		0.29		
4	Contrast ratio		1680:1 10000:1	2100:1 15000:1			
6	Color Temperature	Cool	x:0.267 y:0.271	x:0.269 y:0.273	x:0.271 y:0.275	oK	The W/B Tolerance is ±0.015 for Adjustment
		Medium	x:0.283 y:0.291	x:0.285 y:0.293	x:0.287 y:0.295		
		Warm	x:0.311 y:0.327	x:0.313 y:0.329	x:0.315 y:0.331		

6. Component Video Input (Y, CB/PB, CR/PR)

No	Resolution	H-freq(kHz)	V-freq.(kHz)	Pixel clock	Proposed
1.	720*480	15.73	60	13.5135	SDTV ,DVD 480I
2.	720*480	15.73	59.94	13.5	SDTV ,DVD 480I
3.	720*480	31.50	60	27.027	SDTV
4.	720*480	31.47	59.94	27.0	SDTV
5.	1280*720	45.00	60.00	74.25	HDTV
6.	1280*720	44.96	59.94	74.176	HDTV
7.	1920*1080	33.75	60.00	74.25	HDTV
8.	1920*1080	33.72	59.94	74.176	HDTV
9.	1920*1080	67.500	60	148.50	HDTV
10.	1920*1080	67.432	59.94	148.352	HDTV
11.	1920*1080	27.000	24.000	74.25	HDTV
12.	1920*1080	26.97	23.976	74.176	HDTV
13.	1920*1080	33.75	30.000	74.25	HDTV
14.	1920*1080	33.716	29.97	74.176	HDTV

7. RGB Input (PC)

No	Resolution	H-freq(kHz)	V-freq.(kHz)	Pixel clock	Proposed	
	PC					DDC
1	640*350	31.469	70.08	25.17	EGA	X
2	720*400	31.469	70.08	28.32	DOS	O
3	640*480	31.469	59.94	25.17	VESA(VGA)	O
4	800*600	37.879	60.31	40.00	VESA(SVGA)	O
5	1024*768	48.363	60.00	65.00	VESA(XGA)	O
7	1280*768	47.776	59.87	79.50	CVT(WXGA)	X
8	1360*768	47.720	59.799	84.75	CVT(WXGA)	O

8. HDMI input (PC/DTV)

No	Resolution	H-freq(kHz)	V-freq.(kHz)	Pixel clock	Proposed	
	PC					DDC
1	640*350	31.469	70.08	25.17	EGA	X
2	720*400	31.469	70.08	28.32	DOS	O
3	640*480	31.469	59.94	25.17	VESA(VGA)	O
4	800*600	37.879	60.31	40.00	VESA(SVGA)	O
5	1024*768	48.363	60.00	65.00	VESA(XGA)	O
6	1280*768	47.776	59.87	79.50	CVT(WXGA)	X
7	1360*768	47.720	59.799	84.75	CVT(WXGA)	O
	DTV					
1	720*480	31.5	60	27.027	SDTV 480P	
2	720*480	31.47	59.94	27.00	SDTV 480P	
3	1280*720	45.00	60.00	74.25	HDTV 720P	
4	1280*720	44.96	59.94	74.176	HDTV 720P	
5	1920*1080	33.75	60.00	74.25	HDTV 1080I	
6	1920*1080	33.72	59.94	74.176	HDTV 1080I	
7	1920*1080	67.500	60	148.50	HDTV 1080P	
8	1920*1080	67.432	59.939	148.352	HDTV 1080P	
9	1920*1080	27.000	24.000	74.25	HDTV 1080P	
10	1920*1080	26.97	23.976	74.176	HDTV 1080P	
11	1920*1080	33.75	30.000	74.25	HDTV 1080P	
12	1920*1080	33.716	29.97	74.176	HDTV 1080P	

5. Manual Adjustment

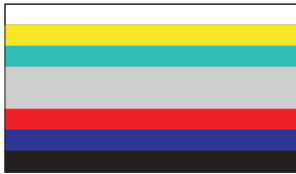
5.1. ADC(Saturn5) Adjustment

(1) Overview

ADC adjustment is needed to find the optimum black level and gain in Analog-to-Digital device and to compensate RGB deviation.

(2) Equipment & Condition

- 1) Adjust Remocon
- 2) 801GF(802B, 802F, 802R) or MSPG925FA Pattern Generator
 - Resolution: 480i, 1024*768
 - Pattern : Horizontal 100% Color Bar Pattern
 - Pattern level: 0.7±0.1 Vp-p
 - Image



3) Must use standard cable

(3) Adjust method

- ADC 480i/1080p Comp1, RGB
 - 1) Check connected condition of Comp1 cable to the equipment
 - 2) Give a 480i Mode, Horizontal 100% Color Bar Pattern to Comp1.
(MSPG-925FA -> Model: 209, Pattern: 65)
 - 3) Change input mode as Component1 and picture mode as "Standard"
 - 4) Press the In-start Key on the ADJ remote after at least 1 min of signal reception. Then, select 5.ADC Calibration. And Press OK Button on the menu "Start". The adjustment will start automatically.
 - 5) If ADC Comp 480i is successful, "ADC Component Success" is displayed and Comp480i/1080p is completed.
If ADC calibration is failure, "ADC Component Fail" is displayed.
 - 6) If ADC calibration is failure, after rechecking ADC pattern or condition, retry calibration
 - 7) After completing ADC Component, input mode will be changed to RGB automatically.
 - 8) If ADC calibration is successful, "ADC RGB Success" is displayed. If ADC calibration is failure, "ADC RGB Fail" is displayed.
 - 9) If ADC calibration is failure, after recheck ADC pattern or condition, retry calibration

5.2 EDID/DDC Download

(1) Overview

It is a VESA regulation. A PC or a MNT will display an optimum resolution through information sharing without any necessity of user input. It is a realization of "Plug and Play".

(2) Equipment

- Adjust remocon.
- Since embedded EDID data is used, EDID download JIG, HDMI cable and D-sub cable are not need.

(3) Download method

- 1) Press Adj. key on the Adj. R/C,
- 2) Select EDID D/L menu.
- 3) By pressing Enter key, EDID download will begin
- 4) If Download is successful, OK is display, but If Download is failure, NG is displayed.
- 5) If Download is failure, Re-try downloads.

•Caution) When EDID Download, must remove RGB/HDMI Cable.

(4) EDID DATA

- 1)LD350 Tool(HD)
- HDMI I [C/S: XXBA]

EDID Block 0 table =

	0	1	2	3	4	5	6	7	8	9	A	B	C	D	E	F
0	00	FF	FF	FF	FF	FF	FF	00	1E	60	01	00	01	01	01	01
10	01	13	01	03	80	73	41	78	0A	0F	74	A3	57	4C	80	23
20	09	48	4C	A1	08	00	81	C0	01	01	01	01	01	01	01	01
30	01	01	01	01	01	01	88	21	50	80	51	00	18	30	40	70
40	36	00	7E	8A	42	00	00	1E	01	10	00	72	51	00	1E	20
50	6E	28	55	00	7E	8A	42	00	00	1E	00	00	00	FD	00	39
60	3F	1F	9C	09	00	0A	20	20	20	20	20	20	00	00	00	FC
70	00	4C	47	20	54	56	0A	20	20	20	20	20	20	20	01	10

EDID Block 1 table =

	0	1	2	3	4	5	6	7	8	9	A	B	C	D	E	F
0	02	03	18	F1	47	10	22	20	05	84	03	02	23	09	07	07
10	67	03	0C	00	10	00	88	2D	02	3A	80	18	71	38	2D	40
20	58	2C	04	05	7E	8A	42	00	00	1E	01	10	80	18	71	10
30	18	20	68	2C	28	00	7E	8A	42	00	00	9E	01	10	00	72
40	51	D0	1E	20	6E	28	55	00	7E	8A	42	00	00	1E	8C	0A
50	D0	8A	20	E0	2D	10	10	9E	98	00	7E	8A	42	00	00	18
60	25	36	80	A0	70	38	1F	40	30	20	25	00	7E	8A	42	00
70	00	1A	00	00	00	00	00	00	00	00	00	00	00	00	00	2C

- HDMI II [C/S: XXAA]
EDID Block 0 table =

	0	1	2	3	4	5	6	7	8	9	A	B	C	D	E	F
0	00	FF	FF	FF	FF	FF	FF	00	1E	60	01	00	01	01	01	01
10	01	13	01	03	80	73	41	78	0A	CF	74	A3	57	4C	80	23
20	09	48	4C	A1	08	00	81	00	01	01	01	01	01	01	01	01
30	01	01	01	01	01	01	66	21	50	80	51	00	16	30	40	70
40	36	00	7E	8A	42	00	00	1E	01	10	00	72	51	00	1E	20
50	6E	28	55	00	7E	8A	42	00	00	1E	00	00	00	FD	00	39
60	3F	1F	9C	09	00	0A	20	20	20	20	20	20	00	00	00	FC
70	00	4C	47	20	54	56	0A	20	20	20	20	20	20	20	01	10

EDID Block 1 table =

	0	1	2	3	4	5	6	7	8	9	A	B	C	D	E	F
0	02	03	18	F1	47	10	22	20	06	84	03	02	23	09	07	07
10	67	03	0C	00	20	00	88	20	02	3A	80	18	71	38	2D	40
20	58	2C	04	05	7E	8A	42	00	00	1E	01	10	80	18	71	1C
30	16	20	58	2C	25	00	7E	8A	42	00	00	9E	01	10	00	72
40	51	00	1E	20	6E	28	55	00	7E	8A	42	00	00	1E	8C	0A
50	00	8A	20	E0	2D	10	10	3E	96	00	7E	8A	42	00	00	18
60	28	36	80	A0	70	38	1F	40	30	20	25	00	7E	8A	42	00
70	00	1A	00	00	00	00	00	00	00	00	00	00	00	00	00	1C

- RGB [C/S: XX]
EDID Block 0 table =

	0	1	2	3	4	5	6	7	8	9	A	B	C	D	E	F
0	00	FF	FF	FF	FF	FF	FF	00	1E	60	01	00	01	01	01	01
10	01	13	01	03	88	73	41	78	0A	CF	30	A3	57	4C	80	23
20	09	50	4E	A1	08	00	81	00	01	01	01	01	01	01	01	01
30	01	01	01	01	01	01	66	21	50	80	51	00	16	30	40	70
40	36	00	7E	8A	42	00	00	1E	01	10	00	72	51	00	1E	20
50	6E	28	55	00	7E	8A	42	00	00	1E	00	00	00	FD	00	39
60	3F	1F	9C	09	00	0A	20	20	20	20	20	20	00	00	00	FC
70	00	4C	47	20	54	56	0A	20	20	20	20	20	20	20	00	71

5.3. White Balance Adjustment

(1) Overview

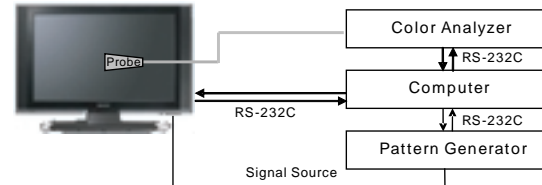
- W/B adj. Objective & How-it-works
 - Objective: To reduce each Panel's W/B deviation
 - How-it-works: When R/G/B gain in the OSD is at 192, it means the panel is at its Full Dynamic Range. In order to prevent saturation of Full Dynamic range and data, one of R/G/B is fixed at 192, and the other two is lowered to find the desired value.
- Adj. condition : normal temperature
 - 1) Surrounding Temperature: 25±5°C
 - 2) Warm-up time: About 5 Min
 - 3) Surrounding Humidity: 20% ~ 80%

(2) Equipment

- 1) Color Analyzer: CA-210 (NCG: CH 9 / WCG: CH12)
- 2) Adj. Computer(During auto adj., RS-232C protocol is needed)
- 3) Adjust Remocon
- 4) Video Signal Generator MSPG-925F 720p/216-Gray (Model:217, Pattern:78)
 - > Only when internal pattern is not available

- Color Analyzer Matrix should be calibrated using CS-1000

(3) Equipment connection MAP



* If TV internal pattern is used, not needed

Connection Diagram of Automatic Adjustment

(4) Adj. Command (Protocol)

- 1) RS-232C Command used during auto-adj.

RS-232C COMMAND			Meaning
[CMD]	ID	[DATA]	
wb	00	00	Begin White Balance adj.
wb	00	ff	End White Balance adj.(Internal pattern disappeared)

- Ex) wb 00 00 -> Begin white balance auto-adj.
 wb 00 10 -> Gain adj.
 ja 00 ff -> Adj. data
 jb 00 c0
 ...
 ...
 wb 00 1f -> Gain adj. complete
 *(wb 00 20(start), wb 00 2f(end)) -> Off-set adj.
 wb 00 ff -> End white balance auto adj.

2) Adjustment Map

Applied Model : 19LD350-UB, 22LD350-UB, 26LD350-UB, 32LD350-UB

	ITEM	Command		Data Range (Hex.)		Default (Decimal)
		Cmd 1	Cmd 2	Min	Max	
Cool	R-Gain	j	g	00	C0	
	G-Gain	j	h	00	C0	
	B-Gain	j	i	00	C0	
	R-Cut					
	G-Cut					
	B-Cut					
Medium	R-Gain	j	a	00	C0	
	G-Gain	j	b	00	C0	
	B-Gain	j	c	00	C0	
	R-Cut					
	G-Cut					
	B-Cut					
Warm	R-Gain	j	d	00	C0	
	G-Gain	j	e	00	C0	
	B-Gain	j	f	00	C0	
	R-Cut					
	G-Cut					
	B-Cut					

(5) Adj. method

• Auto adj. method

- 1) Set TV in adj. mode using POWER ON key
- 2) Zero calibrate probe then place it on the center of the Display
- 3) Connect Cable(RS-232C)
- 4) Select mode in adj. Program and begin adj.
- 5) When adj. is complete (OK Sing), check adj. status pre mode (Warm, Medium, Cool)
- 6) Remove probe and RS-232C cable to complete adj.

* W/B Adj. must begin as start command "wb 00 00", and finish as end command "wb 00 ff", and Adj. offset if need

• Manual adj. method

- 1) Set TV in Adj. mode using POWER ON
- 2) Zero Calibrate the probe of Color Analyzer, then place it on the center of LCD module within 10cm of the surface..
- 3) Press ADJ key -> EZ adjust using adj. R/C > 6. White-Balance then press the cursor to the right (KEY_G). (When KEY_G is pressed 216 Gray internal pattern will be displayed)
- 4) One of R Gain / G Gain / B Gain should be fixed at 192, and the rest will be lowered to meet the desired value.
- 5) Adj. is performed in COOL, MEDIUM, WARM 3 modes of color temperature.

- If internal pattern is not available, use RF input. In EZ Adj. menu 6.White Balance, you can select one of 2 Test-pattern: ON, OFF. Default is inner(ON). By selecting OFF, you can adjust using RF signal in 216 Gray pattern.

* Adj. condition and cautionary items

- 1) Lighting condition in surrounding area
Surrounding lighting should be lower 10 lux. Try to isolate adj. area into dark surrounding.
- 2) Probe location
- LCD: Color Analyzer (CA-210) probe should be within 10cm and perpendicular of the module surface (80°~ 100°)
- 3) Aging time
- After Aging Start, Keep the Power ON status during 5 Minutes.
- In case of LCD, Back-light on should be checked using no signal or Full-white pattern.

(6) Reference (White Balance Adj. coordinate and color temperature)

- Luminance: 216 Gray
- Standard color coordinate and temperature using CS-1000 (over 26 inch)

• 26/32LD350-UB

Mode	Color Coordination		Temp	ΔUV
	x	y		
COOL	0.269	0.273	13000K	0.0000
MEDIUM	0.285	0.293	9300K	0.0000
WARM	0.313	0.329	6500K	0.0000

• 19/22LD350-UB (Small size panel have different color coordinate)

Mode	Color Coordination		Temp	ΔUV
	x	y		
COOL	0.285	0.293	9300K	0.0000
MEDIUM	0.295	0.305	8000K	0.0000
WARM	0.313	0.329	6500K	0.0000

• Standard color coordinate and temperature using CA-210(CH 9)

• 26/32LD350-UB

Mode	Color Coordination		Temp	ΔUV
	x	y		
COOL	0.269±0.002	0.273±0.002	13000K	0.0000
MEDIUM	0.285±0.002	0.293±0.002	9300K	0.0000
WARM	0.313±0.002	0.329±0.002	6500K	0.0000

• 19/22LD350-UB (Small size panel have different color coordinate)

Mode	Color Coordination		Temp	ΔUV
	x	y		
COOL	0.285±0.002	0.293±0.002	9300K	0.0000
MEDIUM	0.295±0.002	0.305±0.002	8000K	0.0000
WARM	0.313±0.002	0.329±0.002	6500K	0.0000

5.4. HDCP SETTING

- HDCP setting is not necessary in Saturn5 model.

5.5 Option selection per country

(1) Overview

- Option selection is only done for models in Non-USA North America due to rating
- Applied model: LA92A Chassis applied None USA model(CANADA, MEXICO)

(2) Method

- 1) Press ADJ key on the Adj. R/C, then select Country Group Menu
- 2) Depending on destination, select KR or US, then on the lower Country option, select US, CA, MX. Selection is done using +, - KEY

5.6. Tool Option selection

- Method: Press Adj. key on the Adj. R/C, then select Tool option.

Model	Tool 1	Tool 2	Tool 3	Tool 4	Menu
19LD350(CMO)					1 HDMI
19LD350(LGD)	2689	548	1442	1824	1 HDMI
22LD350(CMO)					1HDMI
22LD350(LGD)	6785	548	1442	1824	1 HDMI
26LD350(Sharp)					2HDMI
26LD350(AUO)	10897	1576	1442	1824	2 HDMI
32LD350(AUO)	19089	1576	34210	1824	2 HDMI

5.7. Ship-out mode check (In-stop)

- After final inspection, press In-Stop key of the Adj. R/C and check that the unit goes to Stand-by mode.
- After final inspection, Always turn on the Mechanical S/W.

6. GND and Internal Pressure check

6.1. Method

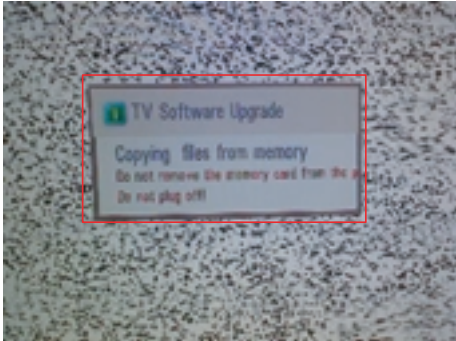
- 1) GND & Internal Pressure auto-check preparation
 - Check that Power Cord is fully inserted to the SET.
(If loose, re-insert)
- 2) Perform GND & Internal Pressure auto-check
 - Unit fully inserted Power cord, Antenna cable and A/V arrive to the auto-check process.
 - Connect D-terminal to AV JACK TESTER
 - Auto CONTROLLER(GWS103-4) ON
 - Perform GND TEST
 - If NG, Buzzer will sound to inform the operator.
 - If OK, changeover to I/P check automatically.
(Remove CORD, A/V form AV JACK BOX)
 - Perform I/P test
 - If NG, Buzzer will sound to inform the operator.
 - If OK, Good lamp will lit up and the stopper will allow the pallet to move on to next process.

6.2. Checkpoint

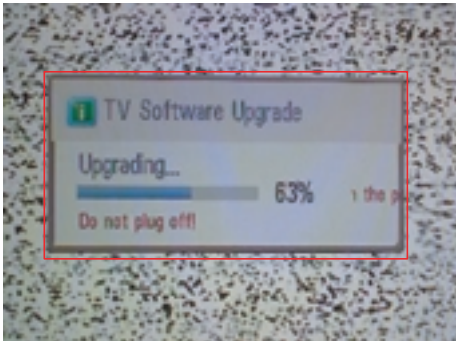
- TEST voltage
 - GND: 1.5KV/min at 100mA
 - SIGNAL: 3KV/min at 100mA
- TEST time: 1 second
- TEST POINT
 - GND TEST = POWER CORD GND & SIGNAL CABLE METAL GND
 - Internal Pressure TEST = POWER CORD GND & LIVE & NEUTRAL
- LEAKAGE CURRENT: At 0.5mArms

7. USB S/W Download (option)

- (1) Put the USB Stick to the USB socket
- (2) Automatically detecting update file in USB Stick
 - If your downloaded program version in USB Stick is Low, it didn't work.
 - But your downloaded version is High, USB data is automatically detecting
- (3) Show the message "Copying files from memory"



- (4) Updating is starting.



- (5) Updating Completed, The TV will restart automatically
- (6) If your TV is turned on, check your updated version and Tool option. (explain the Tool option, next stage)
 - * If downloading version is more high than your TV have, TV can lost all channel data. In this case, you have to channel recover. if all channel data is cleared, you didn't have a DTV/ATV test on production line.

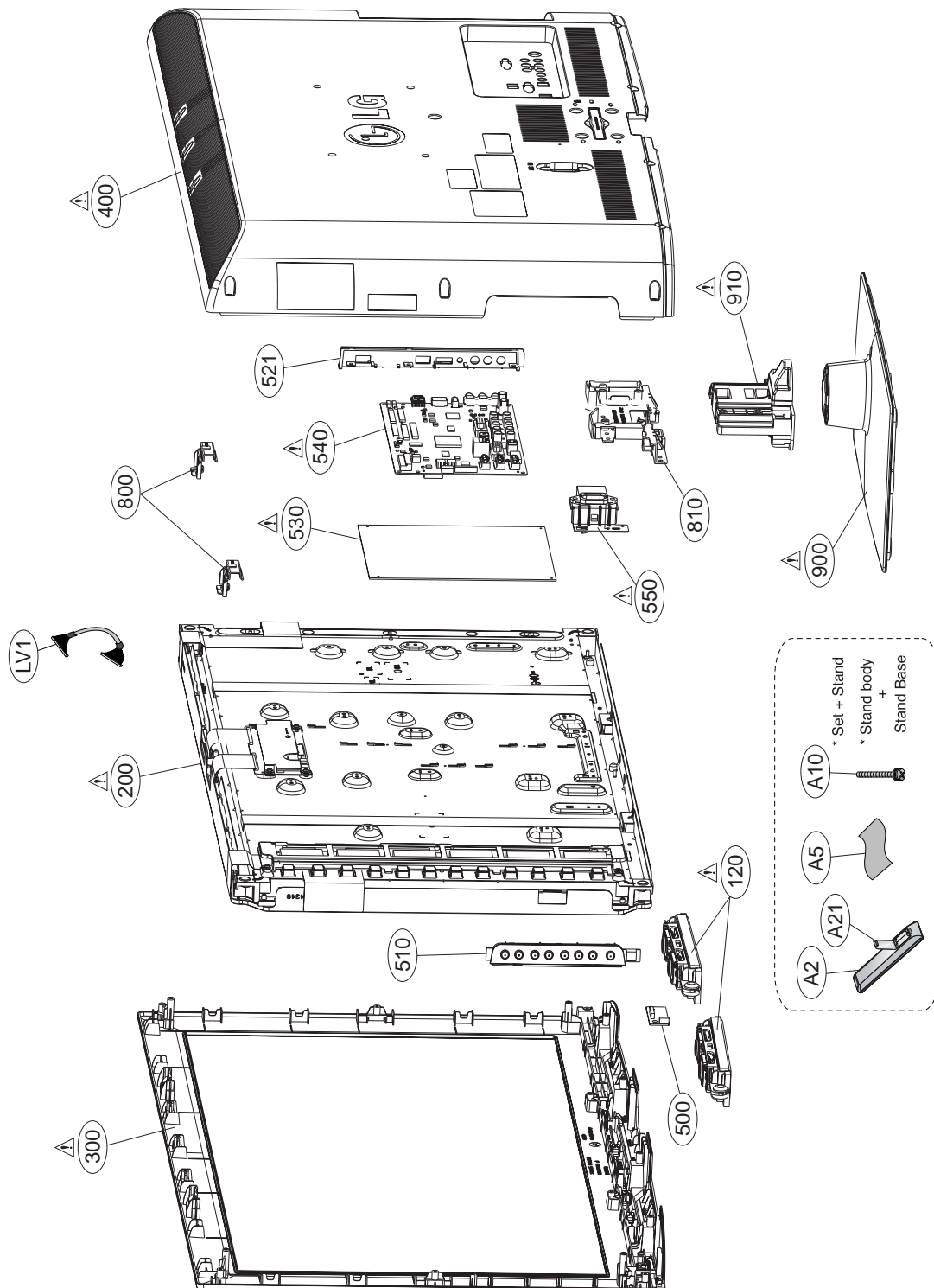
* After downloading, have to adjust TOOL OPTION again.

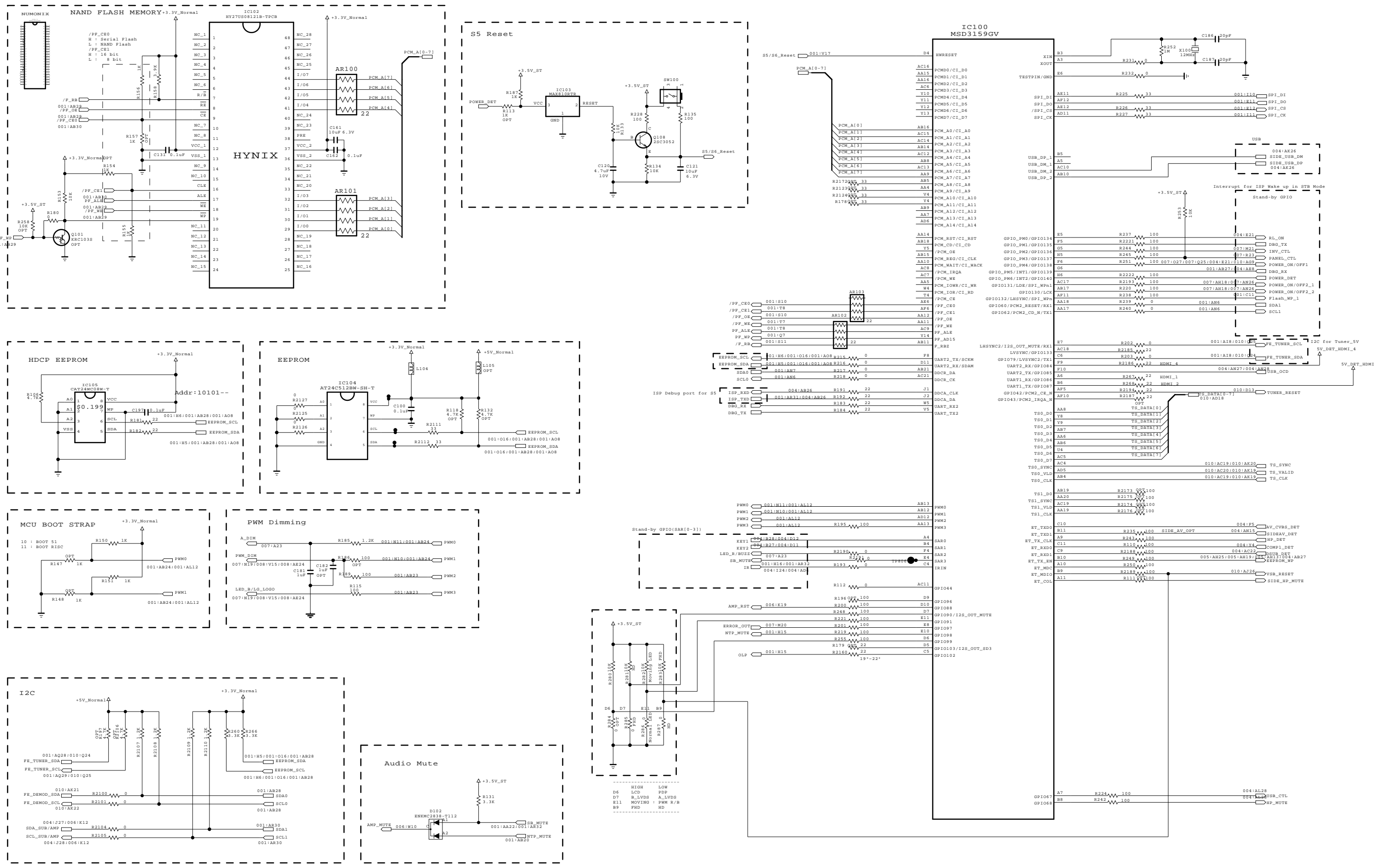
- 1) Push "IN-START" key in service remote controller.
- 2) Select "Tool Option 1" and Push "OK" button.
- 3) Punch in the number. (Each model has their number.)

EXPLODED VIEW

IMPORTANT SAFETY NOTICE

Many electrical and mechanical parts in this chassis have special safety-related characteristics. These parts are identified by Δ in the Schematic Diagram and EXPLODED VIEW. It is essential that these special safety parts should be replaced with the same components as recommended in this manual to prevent X-RADIATION, Shock, Fire, or other Hazards. Do not modify the original design without permission of manufacturer.



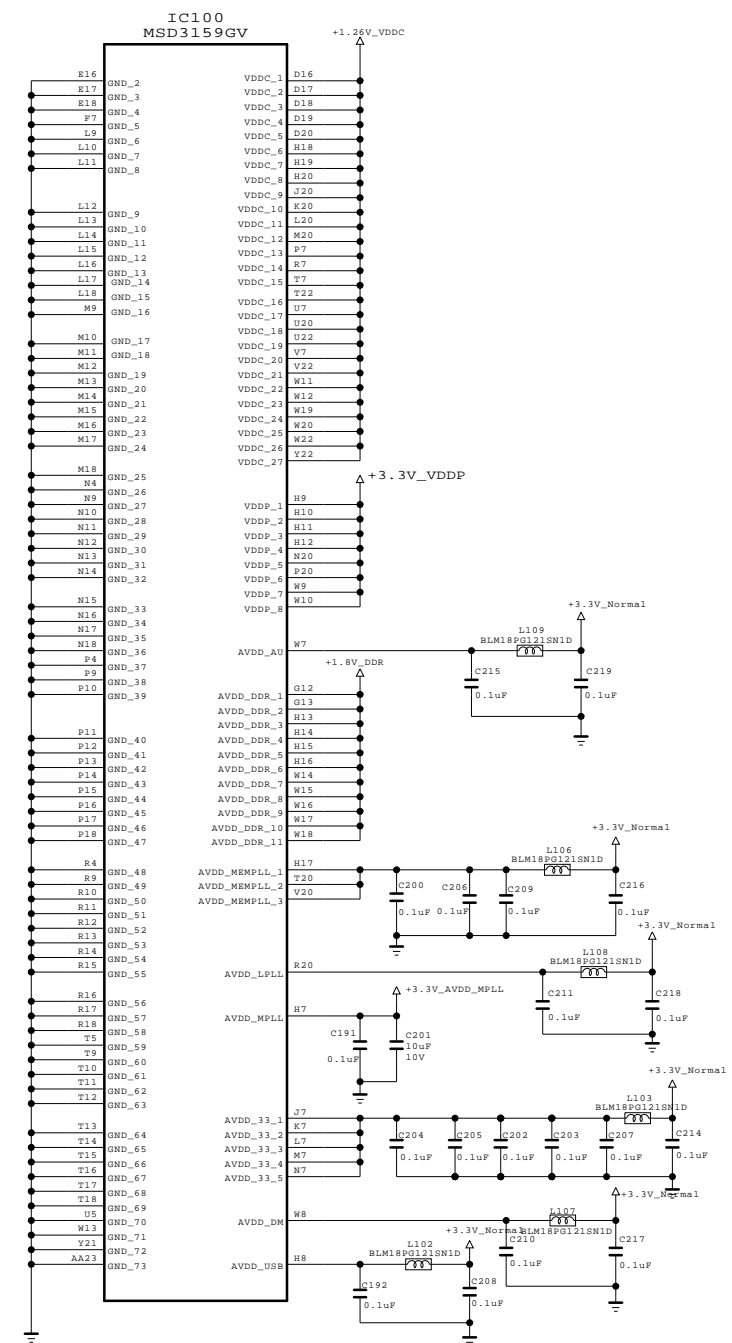
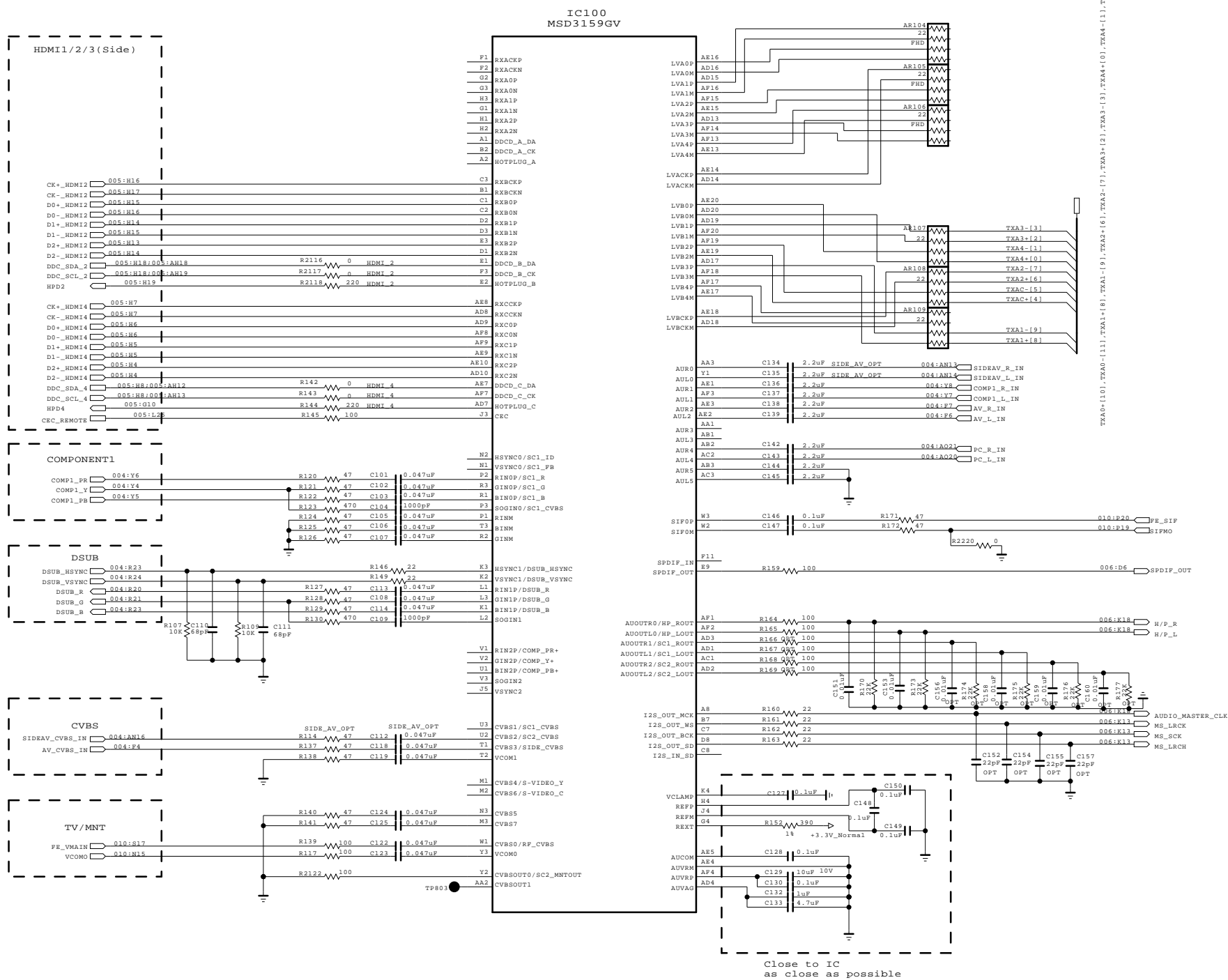
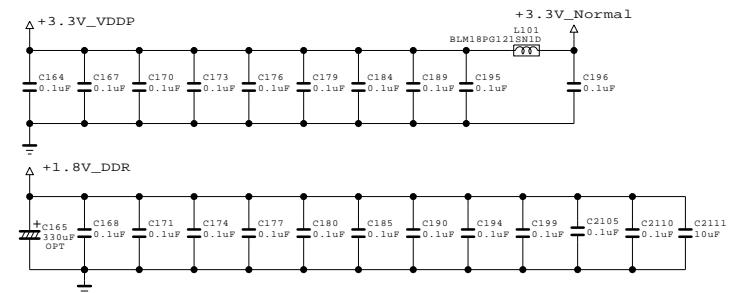
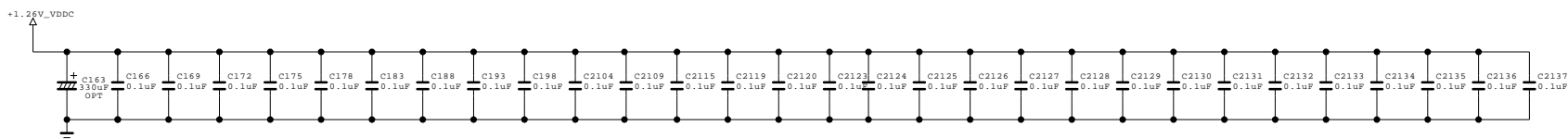


THE Δ SYMBOL MARK OF THIS SCHEMATIC DIAGRAM INCORPORATES SPECIAL FEATURES IMPORTANT FOR PROTECTION FROM X-RADIATION. FILRE AND ELECTRICAL SHOCK HAZARDS, WHEN SERVICING IF IS ESSENTIAL THAT ONLY MANUFACTURES SPECIFIED PARTS BE USED FOR THE CRITICAL COMPONENTS IN THE Δ SYMBOL MARK OF THE SCHEMATIC.

SECRET
LGElectronics



MODEL	LD350	DATE	09.09.03
BLOCK	MAIN_SOC_1	SHEET	1 /



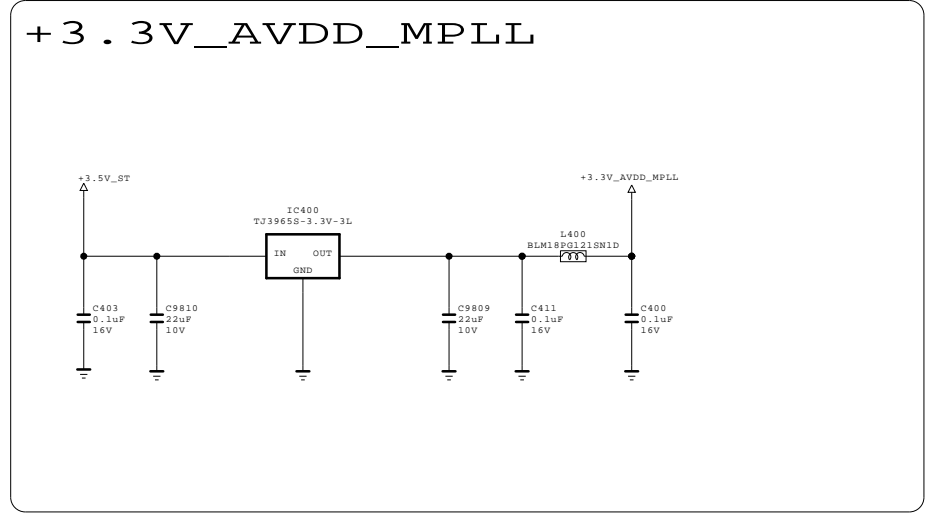
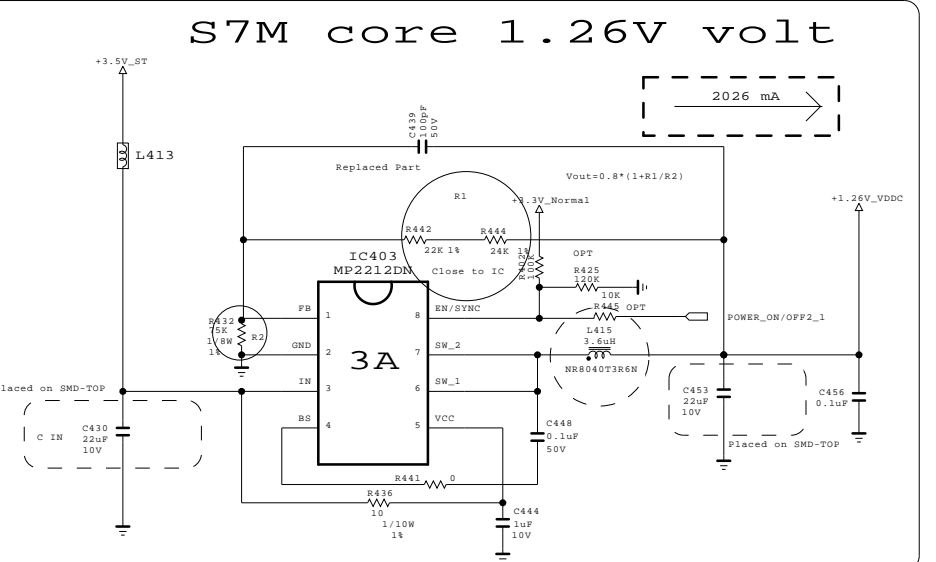
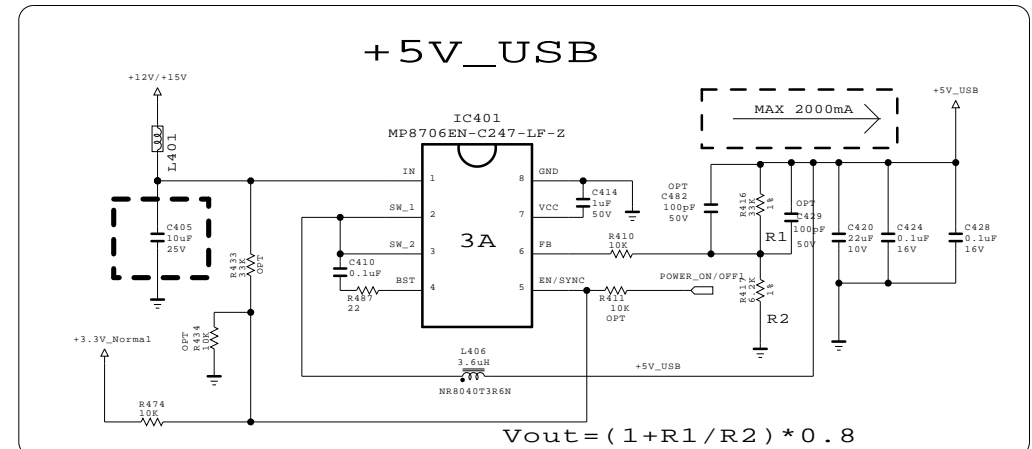
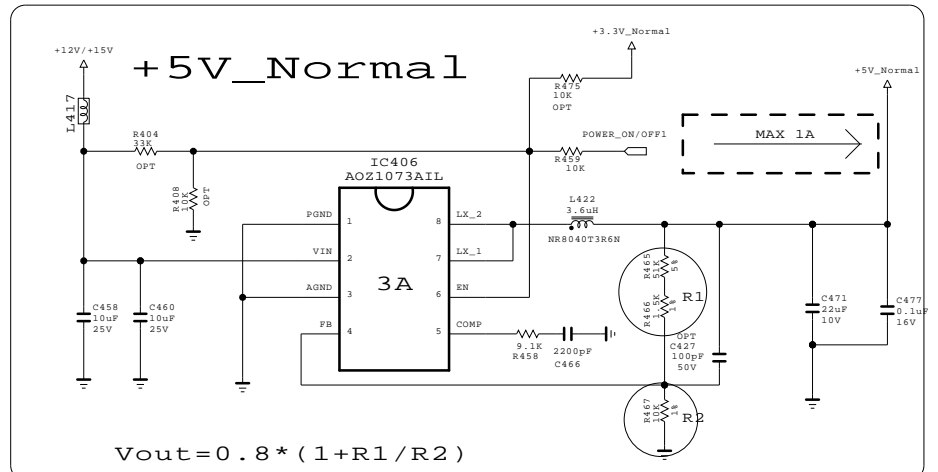
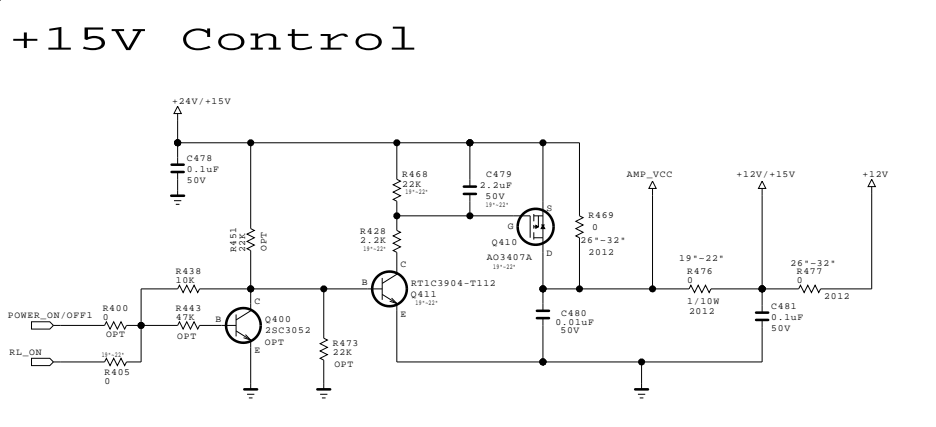
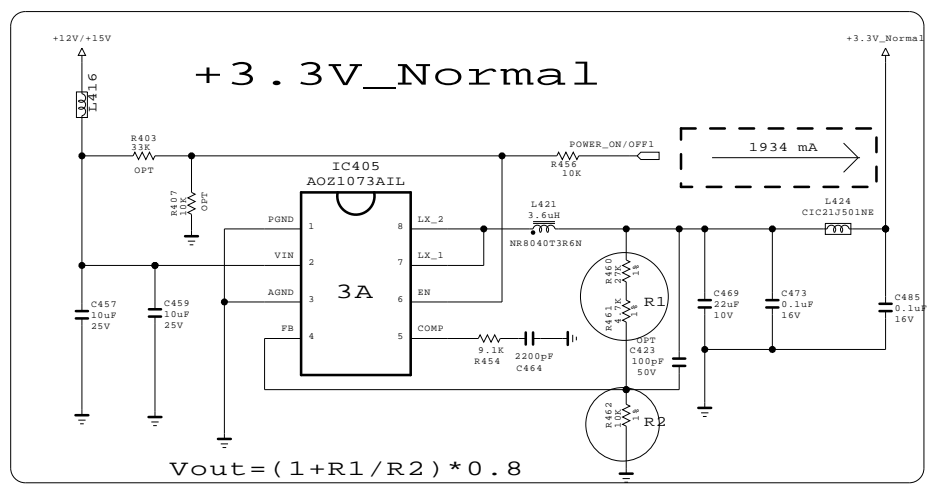
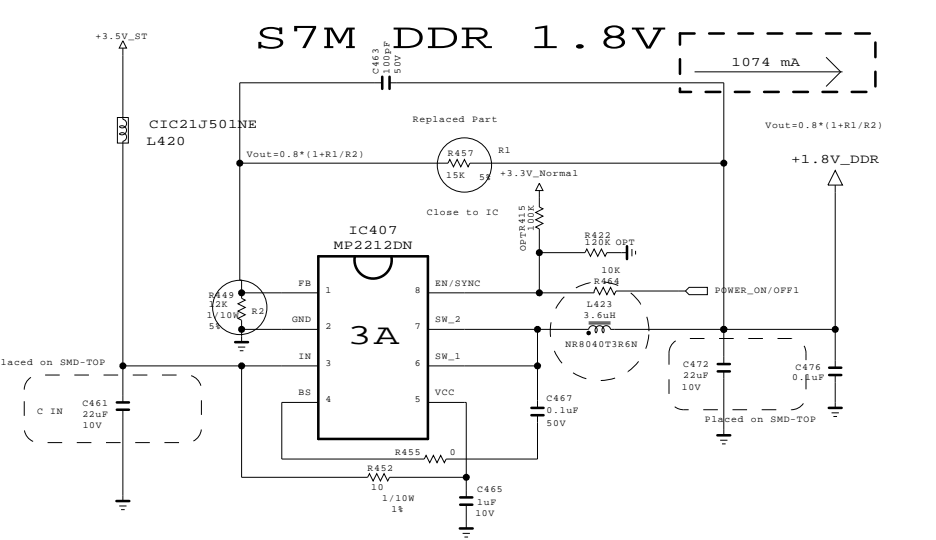
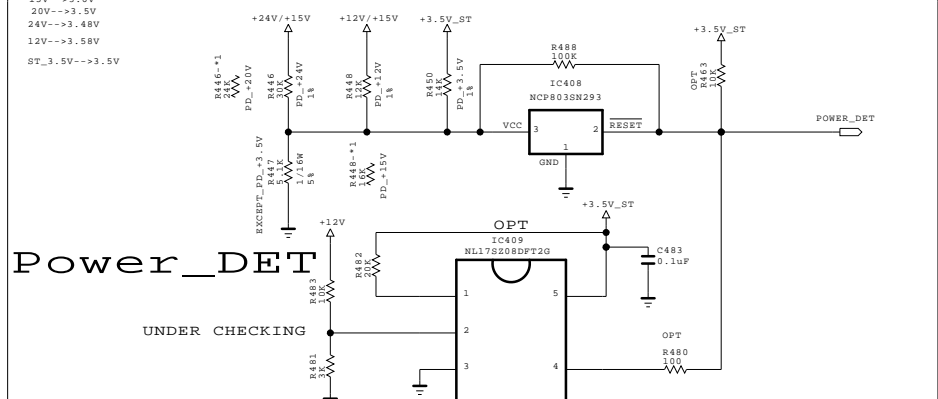
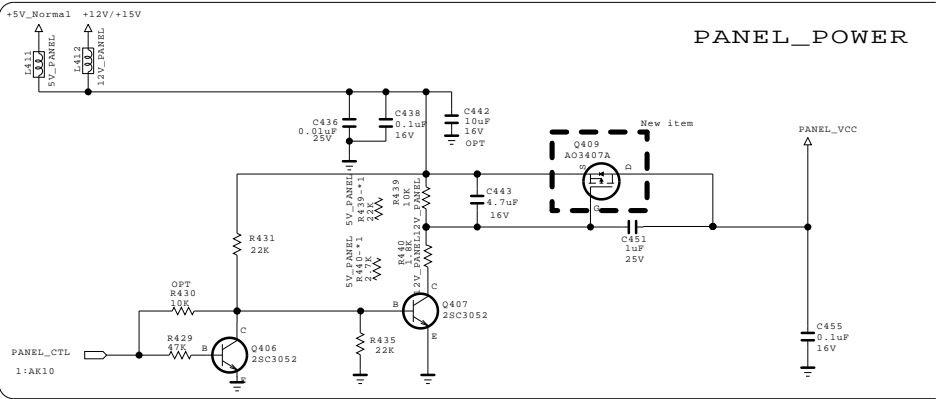
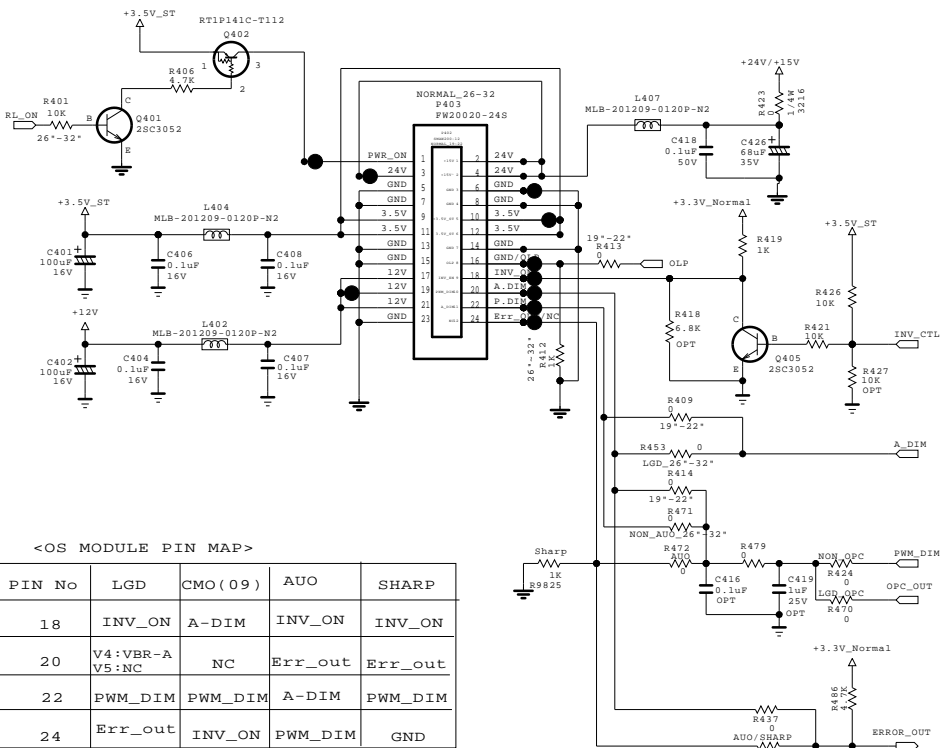
THE Δ SYMBOL MARK OF THIS SCHEMATIC DIAGRAM INCORPORATES SPECIAL FEATURES IMPORTANT FOR PROTECTION FROM X-RADIATION. FILRE AND ELECTRICAL SHOCK HAZARDS, WHEN SERVICING IF IS ESSENTIAL THAT ONLY MANUFACTURES SPECIED PARTS BE USED FOR THE CRITICAL COMPONENTS IN THE Δ SYMBOL MARK OF THE SCHEMATIC.

SECRET
LGElectronics



MODEL	LD350	DATE	09.09.03
BLOCK	MAIN_SOC_2	SHEET	2 /

FROM LIPS & POWER B/D



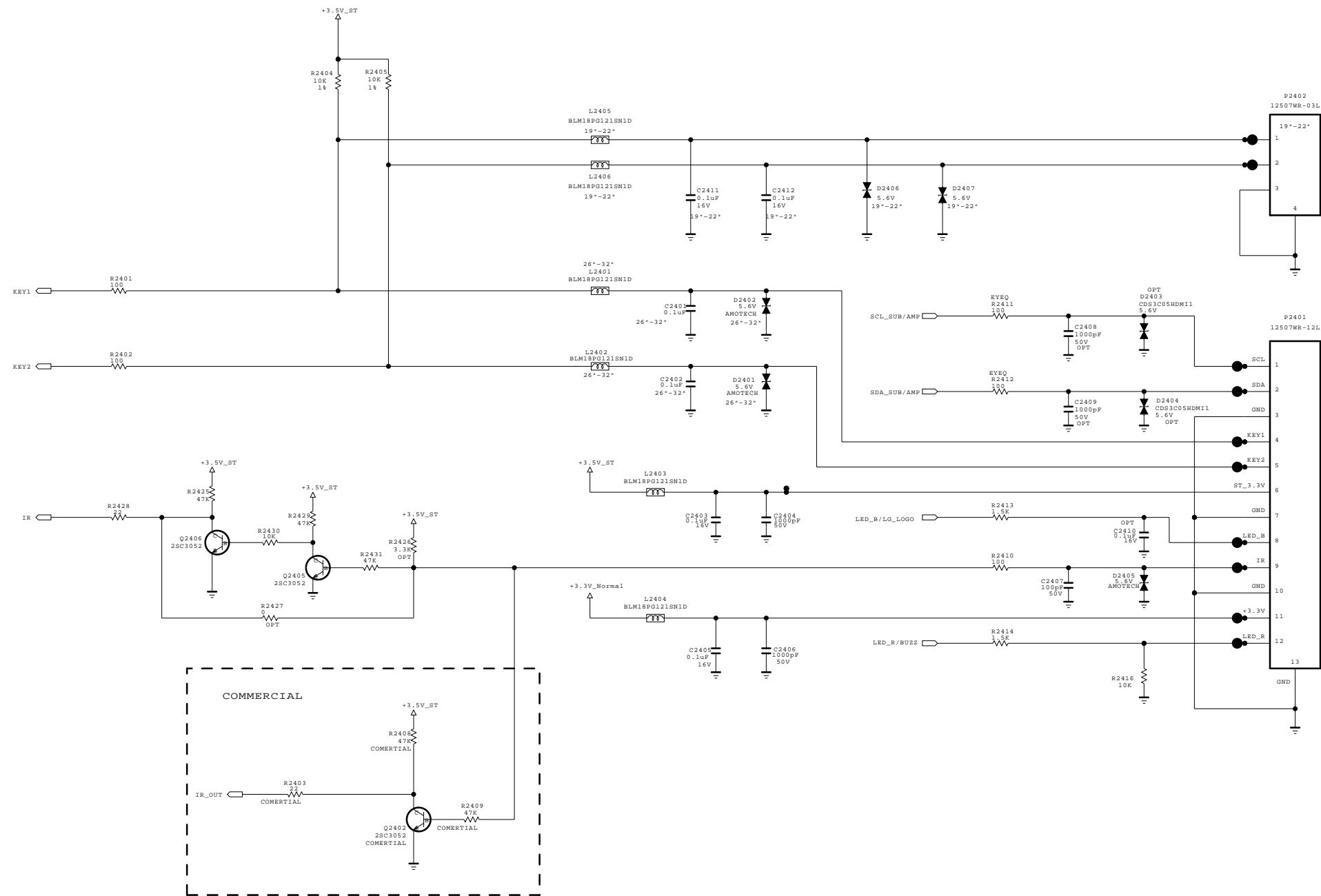
THE Δ SYMBOL MARK OF THIS SCHEMATIC DIAGRAM INCORPORATES SPECIAL FEATURES IMPORTANT FOR PROTECTION FROM X-RADIATION. FILRE AND ELECTRICAL SHOCK HAZARDS, WHEN SERVICING IF IS ESSENTIAL THAT ONLY MANUFACTURES SPECIFIED PARTS BE USED FOR THE CRITICAL COMPONENTS IN THE Δ SYMBOL MARK OF THE SCHEMATIC.

SECRET
LGElectronics



MODEL	LD350	DATE	09.09.03
BLOCK	Power Block	SHEET	2 /

CONTROL
IR & LED

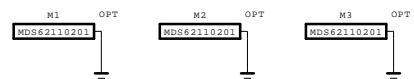
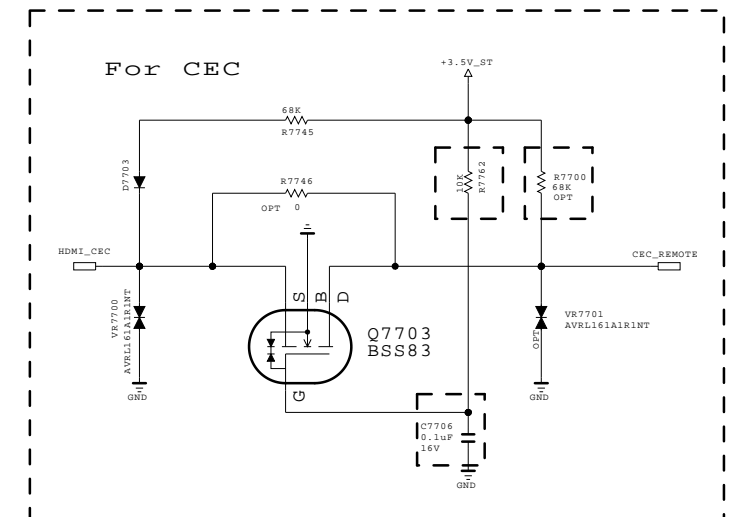
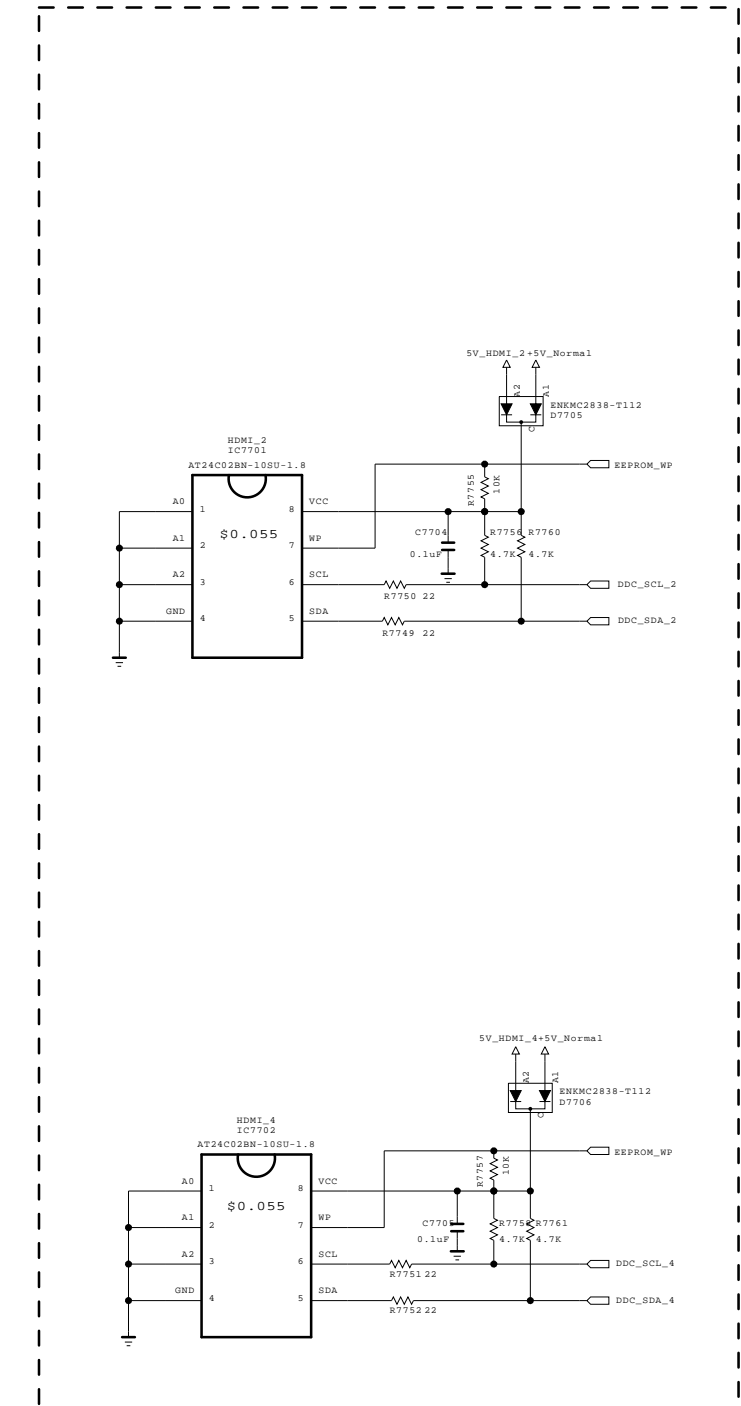
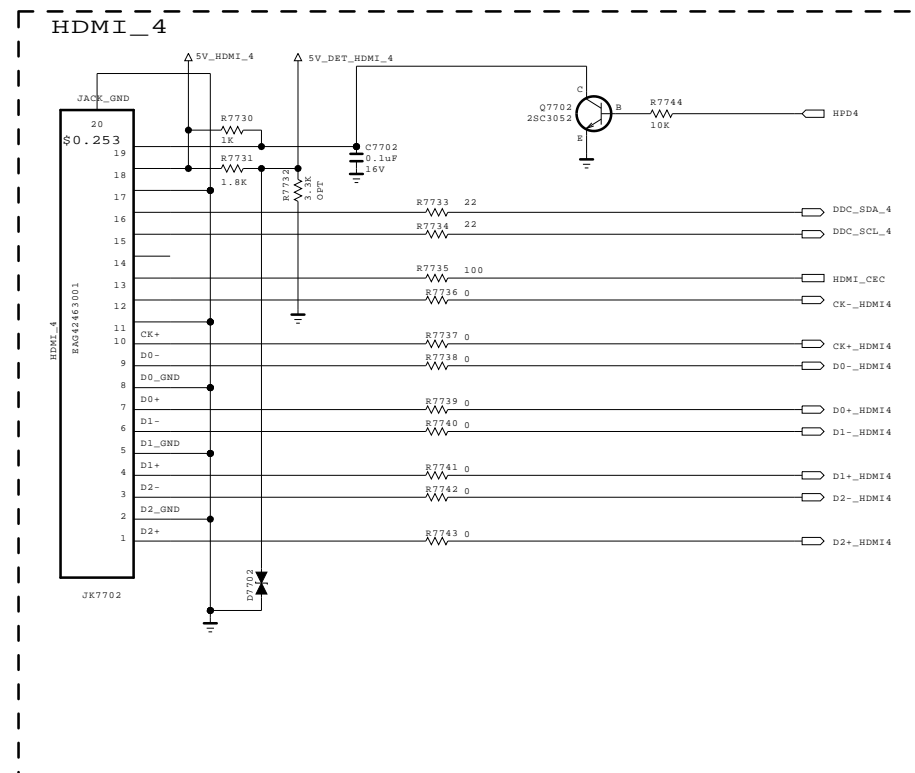
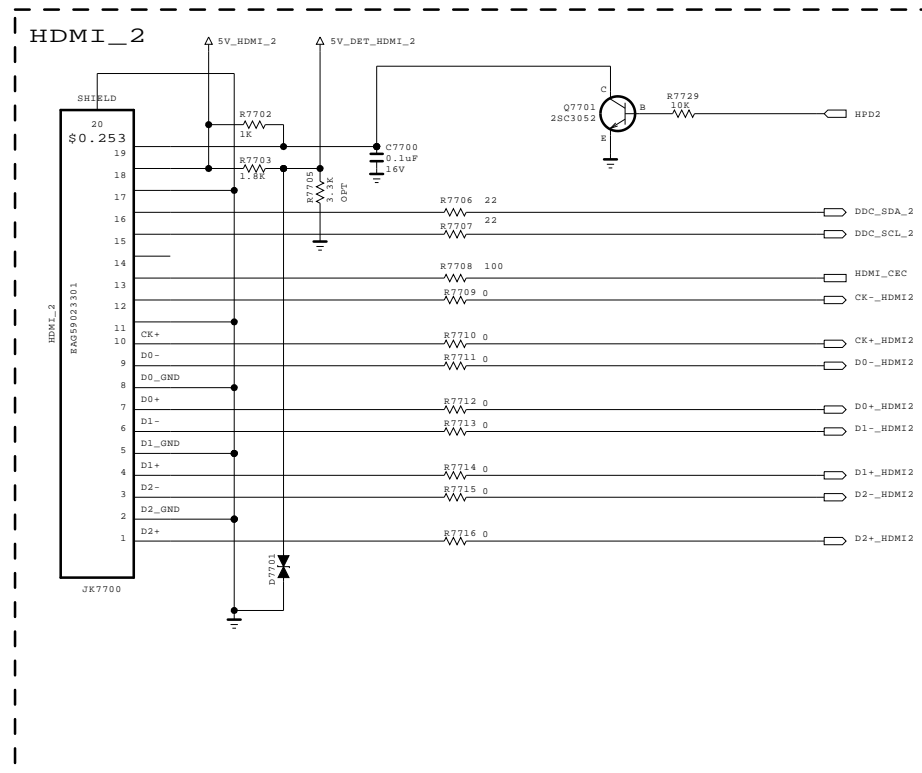


THE Δ SYMBOL MARK OF THIS SCHEMATIC DIAGRAM INCORPORATES SPECIAL FEATURES IMPORTANT FOR PROTECTION FROM X-RADIATION. FILRE AND ELECTRICAL SHOCK HAZARDS, WHEN SERVICING IF IS ESSENTIAL THAT ONLY MANUFACTURES SPECIFIED PARTS BE USED FOR THE CRITICAL COMPONENTS IN THE Δ SYMBOL MARK OF THE SCHEMATIC.

SECRET
LGElectronics



MODEL	LD350	DATE	09.09.03
BLOCK	IR & LED	SHEET	6 /



THE Δ SYMBOL MARK OF THIS SCHEMATIC DIAGRAM INCORPORATES SPECIAL FEATURES IMPORTANT FOR PROTECTION FROM X-RADIATION. FILRE AND ELECTRICAL SHOCK HAZARDS, WHEN SERVICING IF IS ESSENTIAL THAT ONLY MANUFACTURES SPECIFIED PARTS BE USED FOR THE CRITICAL COMPONENTS IN THE Δ SYMBOL MARK OF THE SCHEMATIC.

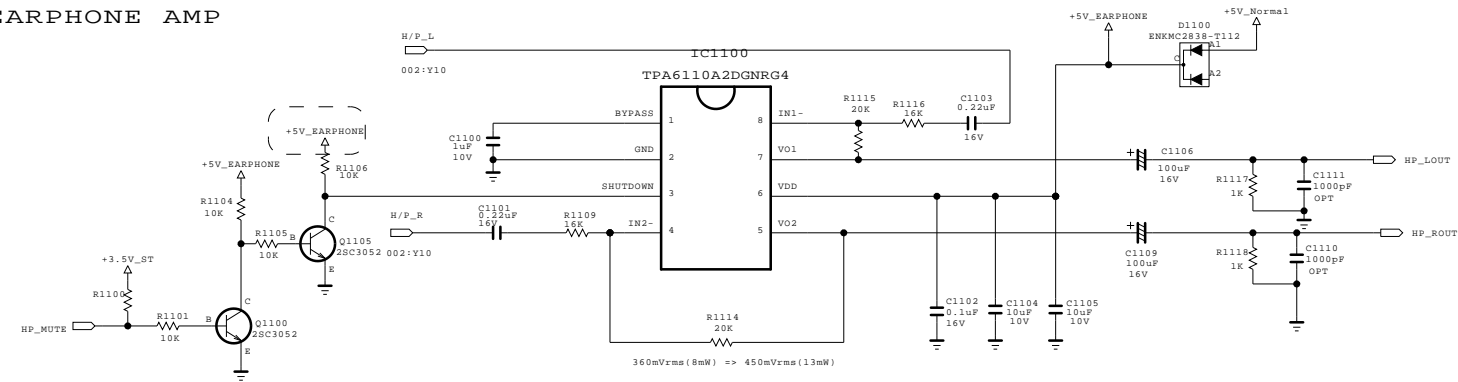
SECRET
LGElectronics



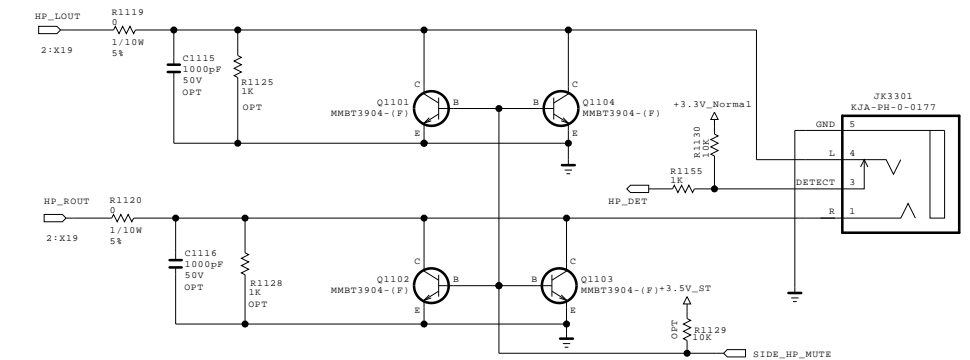
MODEL	LD350	DATE	09.09.03
BLOCK	HDMI	SHEET	8 /

COMMON AREA

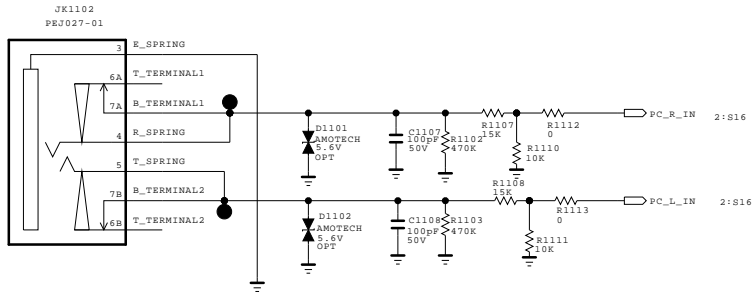
EARPHONE AMP



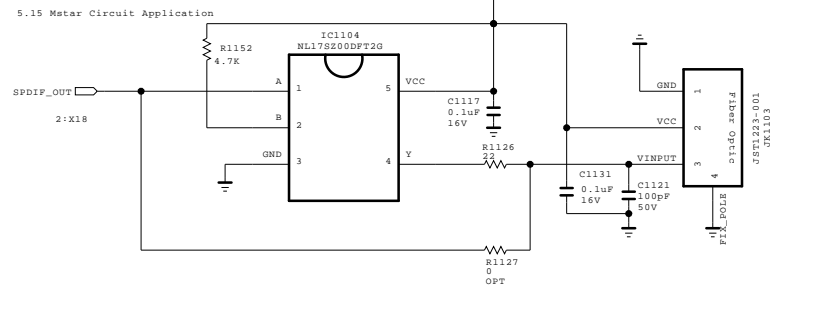
New Item Development
EARPHONE BLOCK



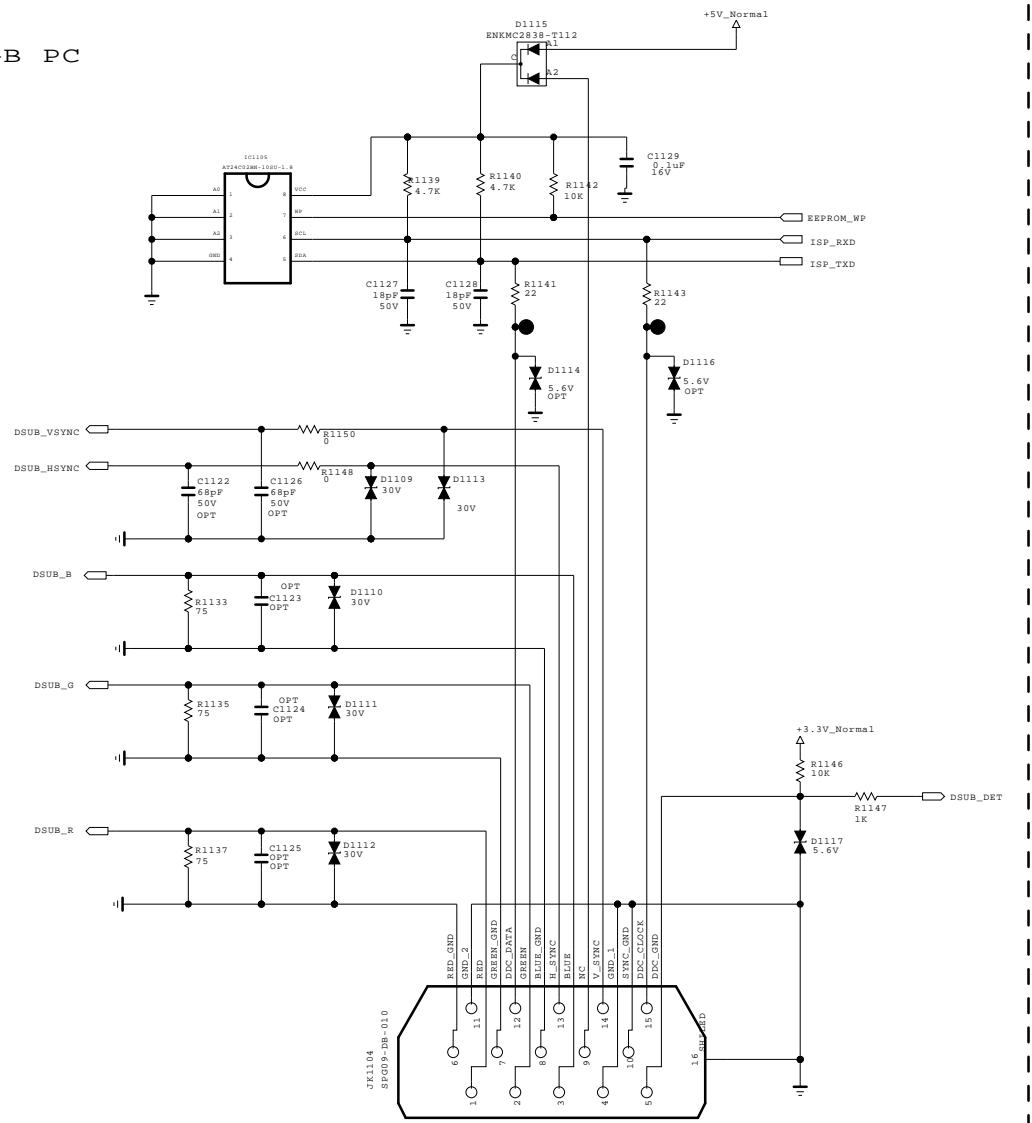
PC AUDIO



SPDIF OPTIC JACK



RGB PC

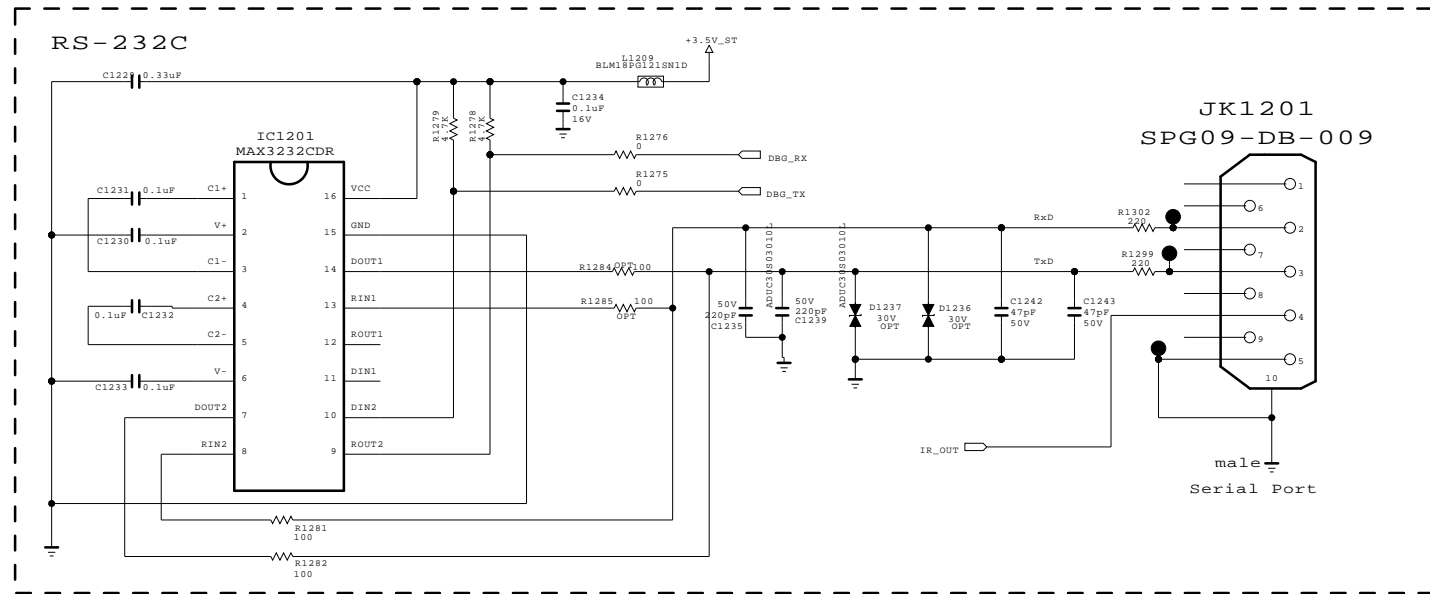


THE Δ SYMBOL MARK OF THIS SCHEMATIC DIAGRAM INCORPORATES SPECIAL FEATURES IMPORTANT FOR PROTECTION FROM X-RADIATION. FILRE AND ELECTRICAL SHOCK HAZARDS, WHEN SERVICING IF IS ESSENTIAL THAT ONLY MANUFACTURES SPECIFIED PARTS BE USED FOR THE CRITICAL COMPONENTS IN THE Δ SYMBOL MARK OF THE SCHEMATIC.

SECRET
LGElectronics

LG ELECTRONICS

MODEL	LD350	DATE	09.09.03
BLOCK	COMMON AREA	SHEET	9 /



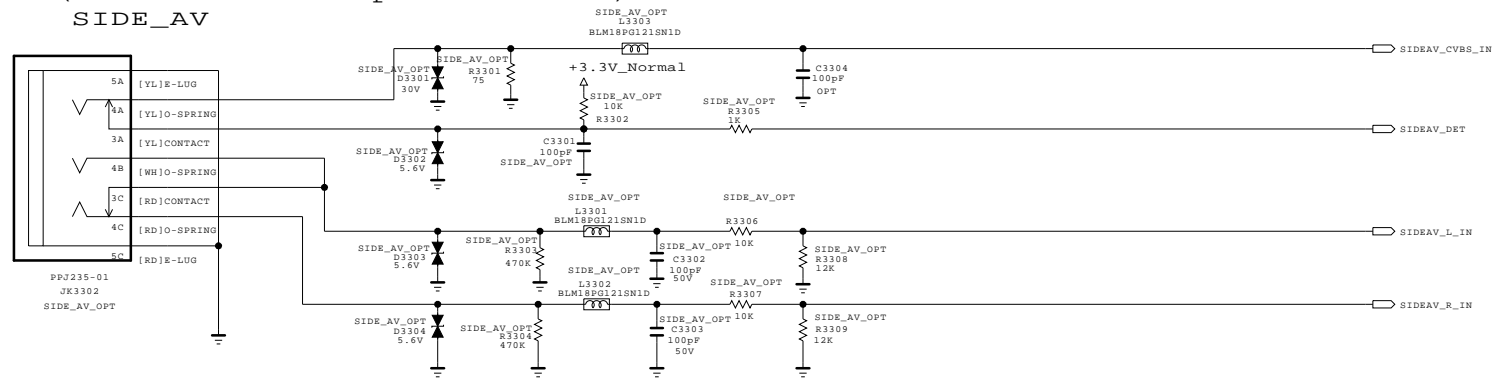
THE SYMBOL MARK OF THIS SCHEMATIC DIAGRAM INCORPORATES SPECIAL FEATURES IMPORTANT FOR PROTECTION FROM X-RADIATION. FILRE AND ELECTRICAL SHOCK HAZARDS, WHEN SERVICING IF IS ESSENTIAL THAT ONLY MANUFACTURES SPECIFIED PARTS BE USED FOR THE CRITICAL COMPONENTS IN THE SYMBOL MARK OF THE SCHEMATIC.

SECRET
LGElectronics

LG ELECTRONICS

MODEL	LD350	DATE	09.09.03
BLOCK	RS-232C	SHEET	10/

(New Item Development H:9.2mm)
SIDE_AV



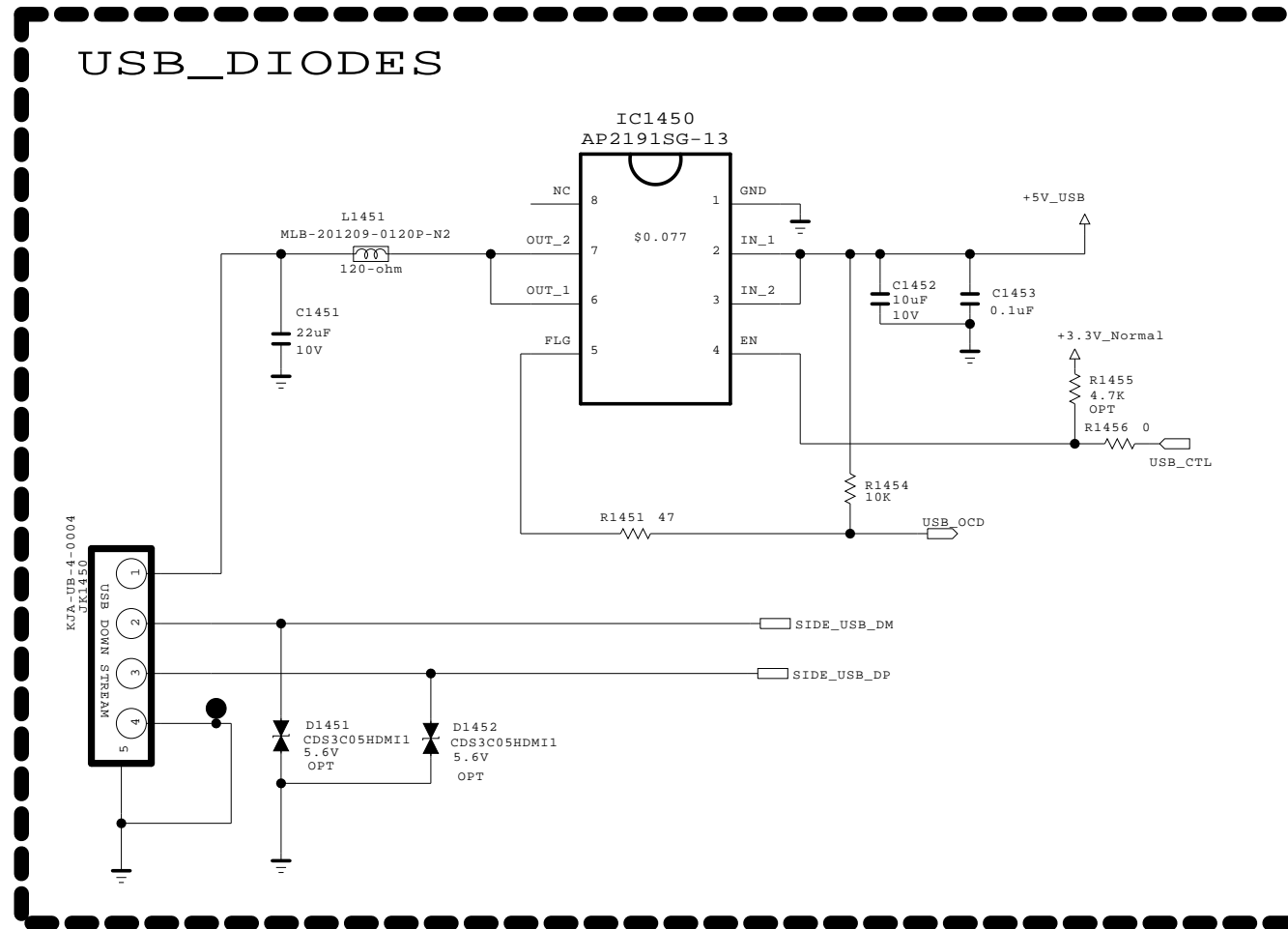
THE \triangle SYMBOL MARK OF THIS SCHEMATIC DIAGRAM INCORPORATES SPECIAL FEATURES IMPORTANT FOR PROTECTION FROM X-RADIATION. FILRE AND ELECTRICAL SHOCK HAZARDS, WHEN SERVICING IF IS ESSENTIAL THAT ONLY MANUFACTURES SPECIFIED PARTS BE USED FOR THE CRITICAL COMPONENTS IN THE \triangle SYMBOL MARK OF THE SCHEMATIC.

SECRET
LGElectronics



MODEL	LD350	DATE	09.09.03
BLOCK	SIDE AV	SHEET	11 /

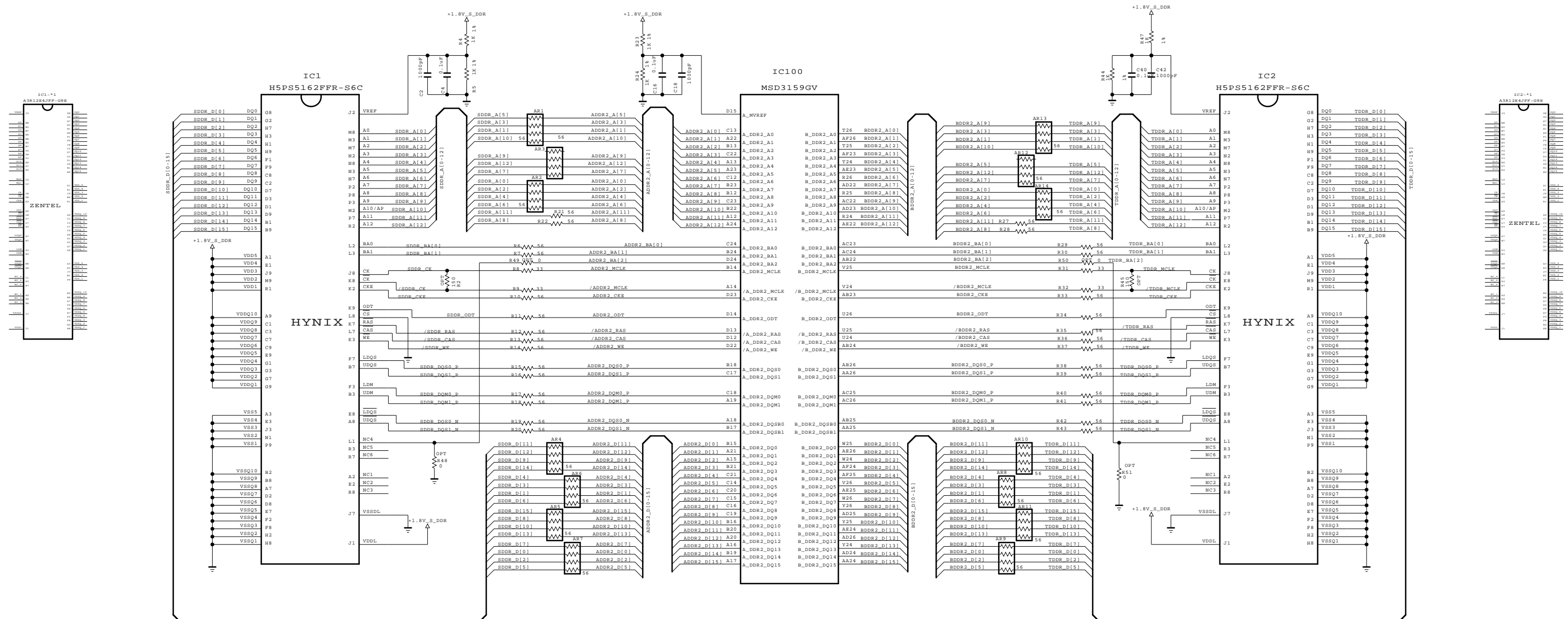
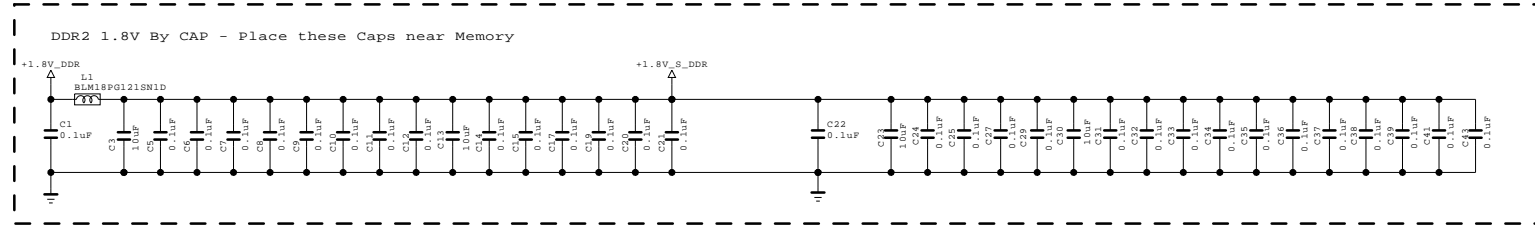
USB_DIODES



THE SYMBOL MARK OF THIS SCHEMATIC DIAGRAM INCORPORATES SPECIAL FEATURES IMPORTANT FOR PROTECTION FROM X-RADIATION. FILRE AND ELECTRICAL SHOCK HAZARDS, WHEN SERVICING IF IS ESSENTIAL THAT ONLY MANUFACTURES SPECIFIED PARTS BE USED FOR THE CRITICAL COMPONENTS IN THE SYMBOL MARK OF THE SCHEMATIC.

SECRET	LG ELECTRONICS
LGElectronics	

MODEL	LD350	DATE	09.09.03
BLOCK	USB	SHEET	14 /



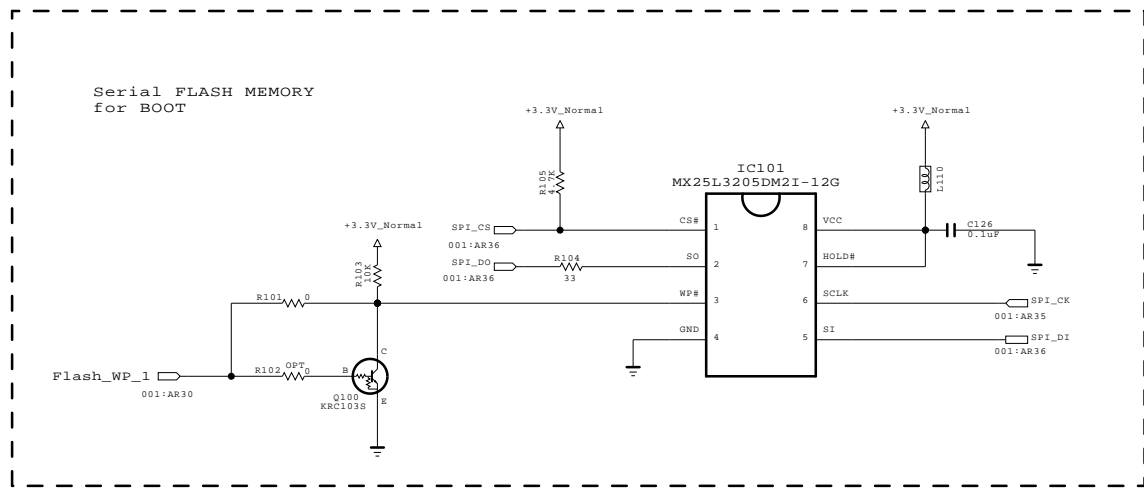
THE Δ SYMBOL MARK OF THIS SCHEMATIC DIAGRAM INCORPORATES SPECIAL FEATURES IMPORTANT FOR PROTECTION FROM X-RADIATION. FILRE AND ELECTRICAL SHOCK HAZARDS, WHEN SERVICING IF IS ESSENTIAL THAT ONLY MANUFACTURES SPECIFIED PARTS BE USED FOR THE CRITICAL COMPONENTS IN THE Δ SYMBOL MARK OF THE SCHEMATIC.

SECRET
LGElectronics

HONG YEON HYUK



MODEL	LD350	DATE	09.09.03
BLOCK	DDR2	SHEET	21 /



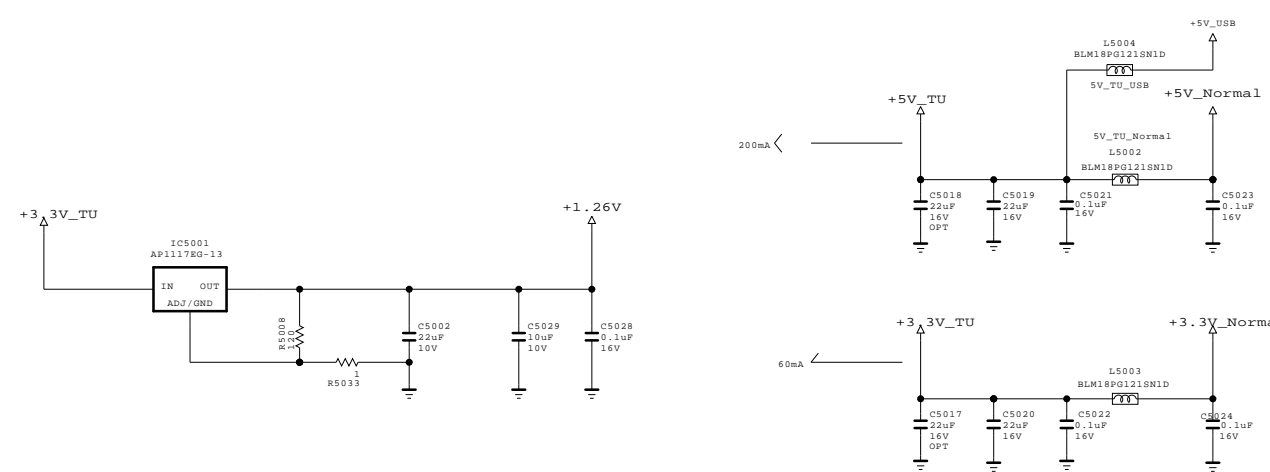
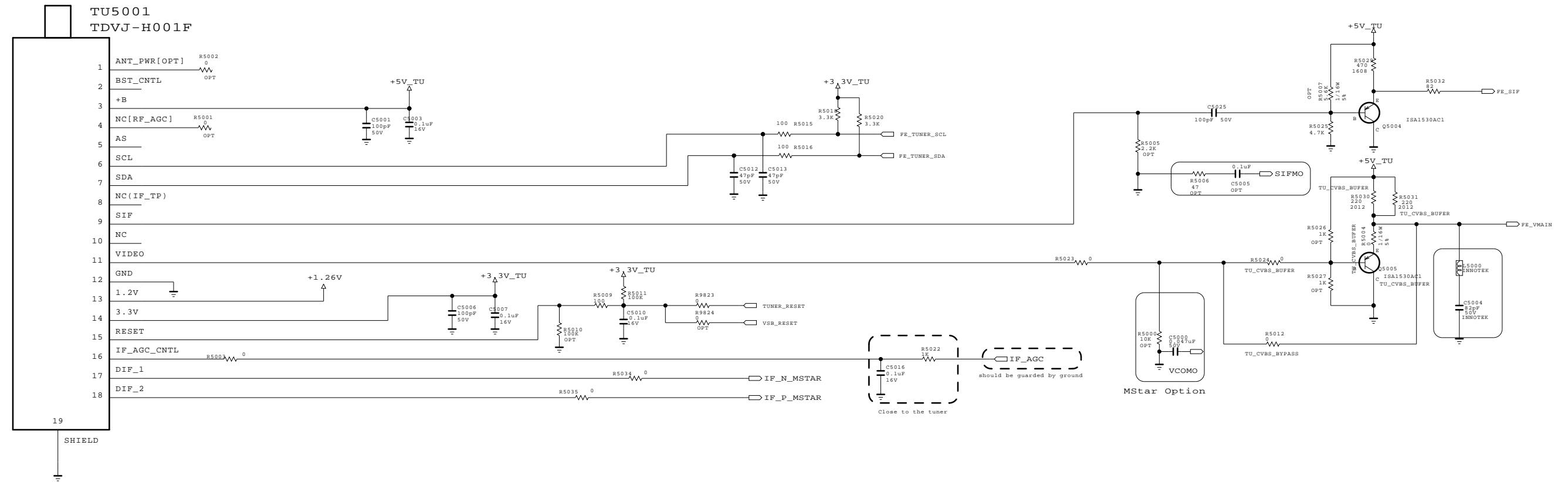
THE SYMBOL MARK OF THIS SCHEMATIC DIAGRAM INCORPORATES SPECIAL FEATURES IMPORTANT FOR PROTECTION FROM X-RADIATION, FILRE AND ELECTRICAL SHOCK HAZARDS, WHEN SERVICING IF IS ESSENTIAL THAT ONLY MANUFACTURES SPECIED PARTS BE USED FOR THE CRITICAL COMPONENTS IN THE SYMBOL MARK OF THE SCHEMATIC.

SECRET
LGElectronics

LG ELECTRONICS

MODEL	LD350	DATE	09.09.03
BLOCK	SERIAL FLASH	SHEET	21 /

LGIT CAN H/N TUNER for US

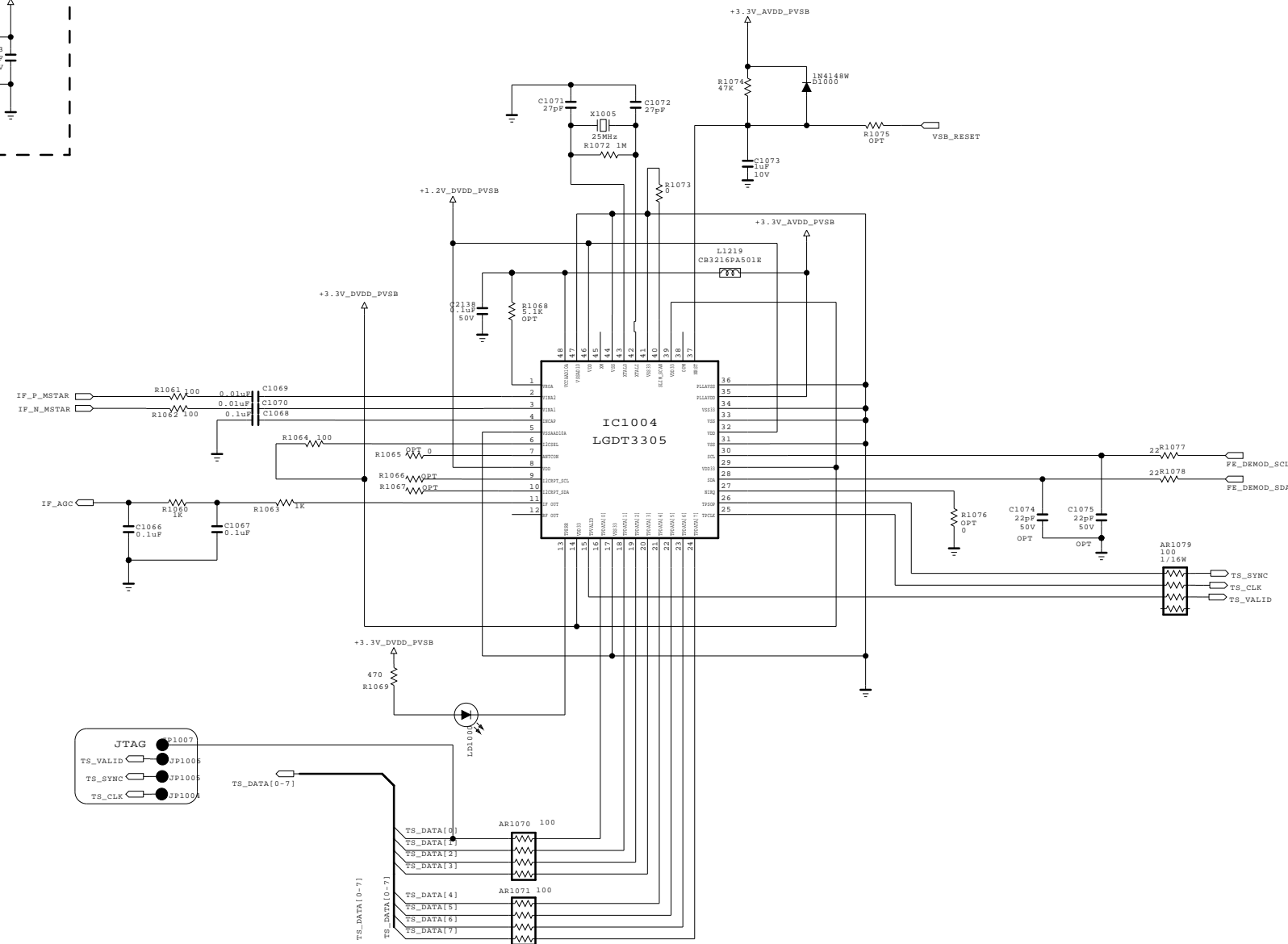
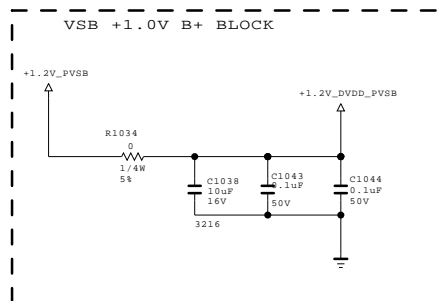
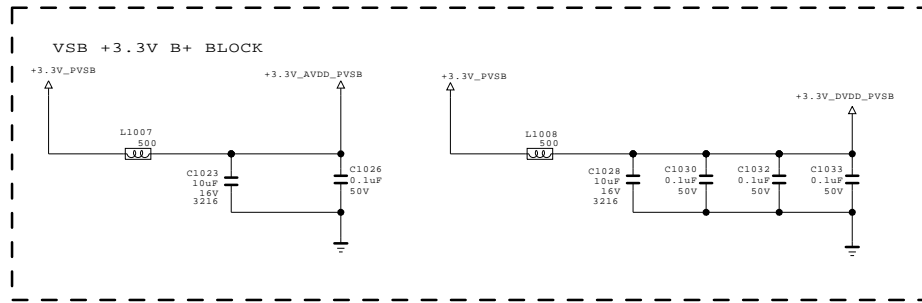
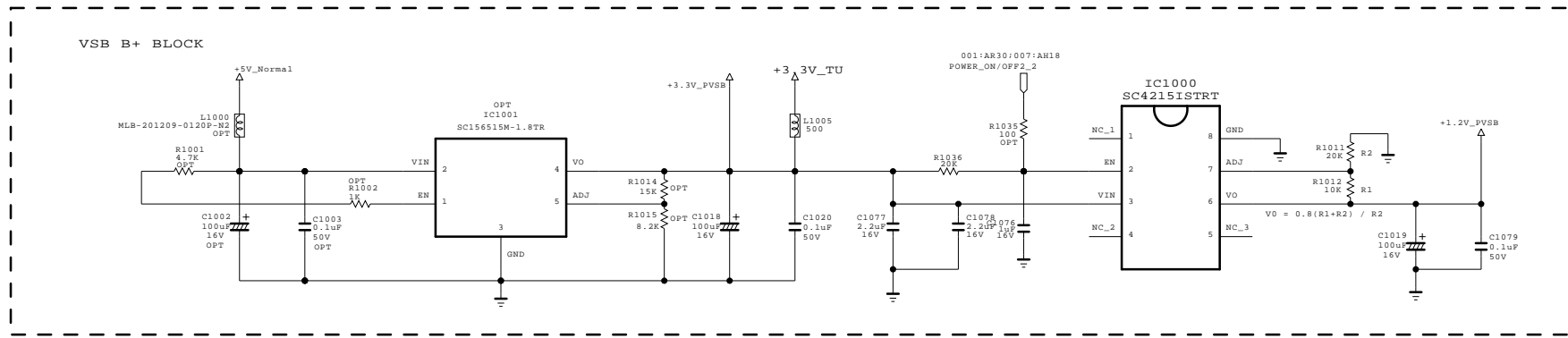


THE Δ SYMBOL MARK OF THIS SCHEMATIC DIAGRAM INCORPORATES SPECIAL FEATURES IMPORTANT FOR PROTECTION FROM X-RADIATION. FILRE AND ELECTRICAL SHOCK HAZARDS, WHEN SERVICING IF IS ESSENTIAL THAT ONLY MANUFACTURES SPECIED PARTS BE USED FOR THE CRITICAL COMPONENTS IN THE Δ SYMBOL MARK OF THE SCHEMATIC.

SECRET
LGElectronics



MODEL	LD350	DATE	09.09.03
BLOCK	ATSC CAN TUNER	SHEET	26 /



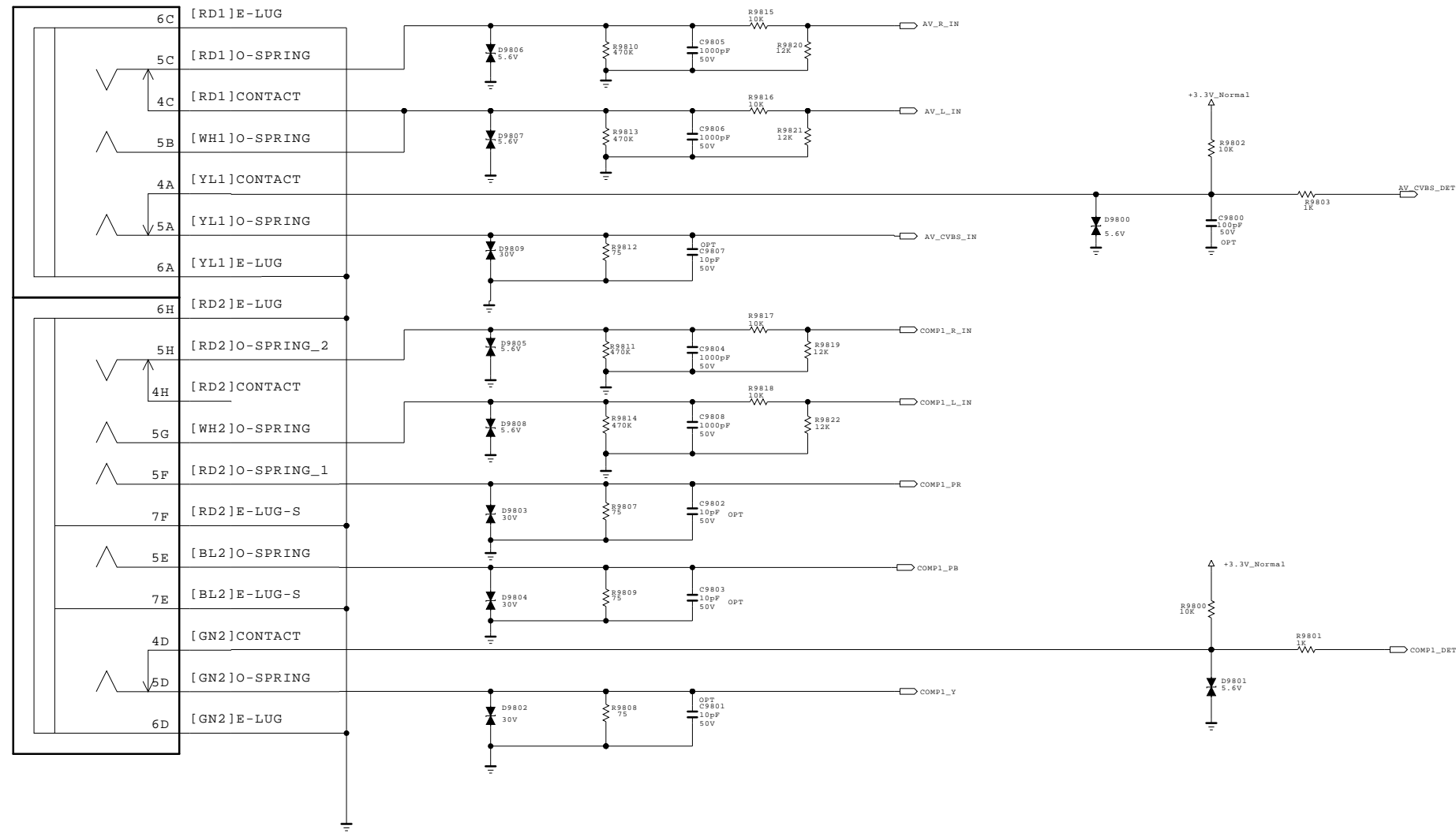
THE Δ SYMBOL MARK OF THIS SCHEMATIC DIAGRAM INCORPORATES SPECIAL FEATURES IMPORTANT FOR PROTECTION FROM X-RADIATION. FILRE AND ELECTRICAL SHOCK HAZARDS, WHEN SERVICING IF IS ESSENTIAL THAT ONLY MANUFACTURES SPECIED PARTS BE USED FOR THE CRITICAL COMPONENTS IN THE Δ SYMBOL MARK OF THE SCHEMATIC.

SECRET
LGElectronics

LG ELECTRONICS

MODEL	LD350	DATE	09.09.03
BLOCK	VSB_DEMOD	SHEET	28 /

JK9800
PPJ238-01

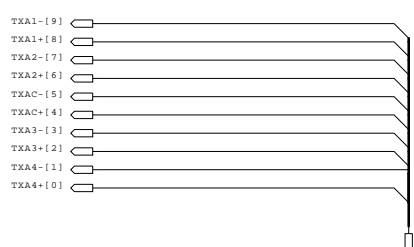
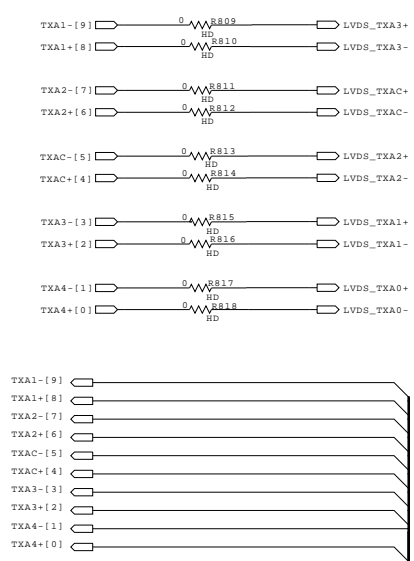
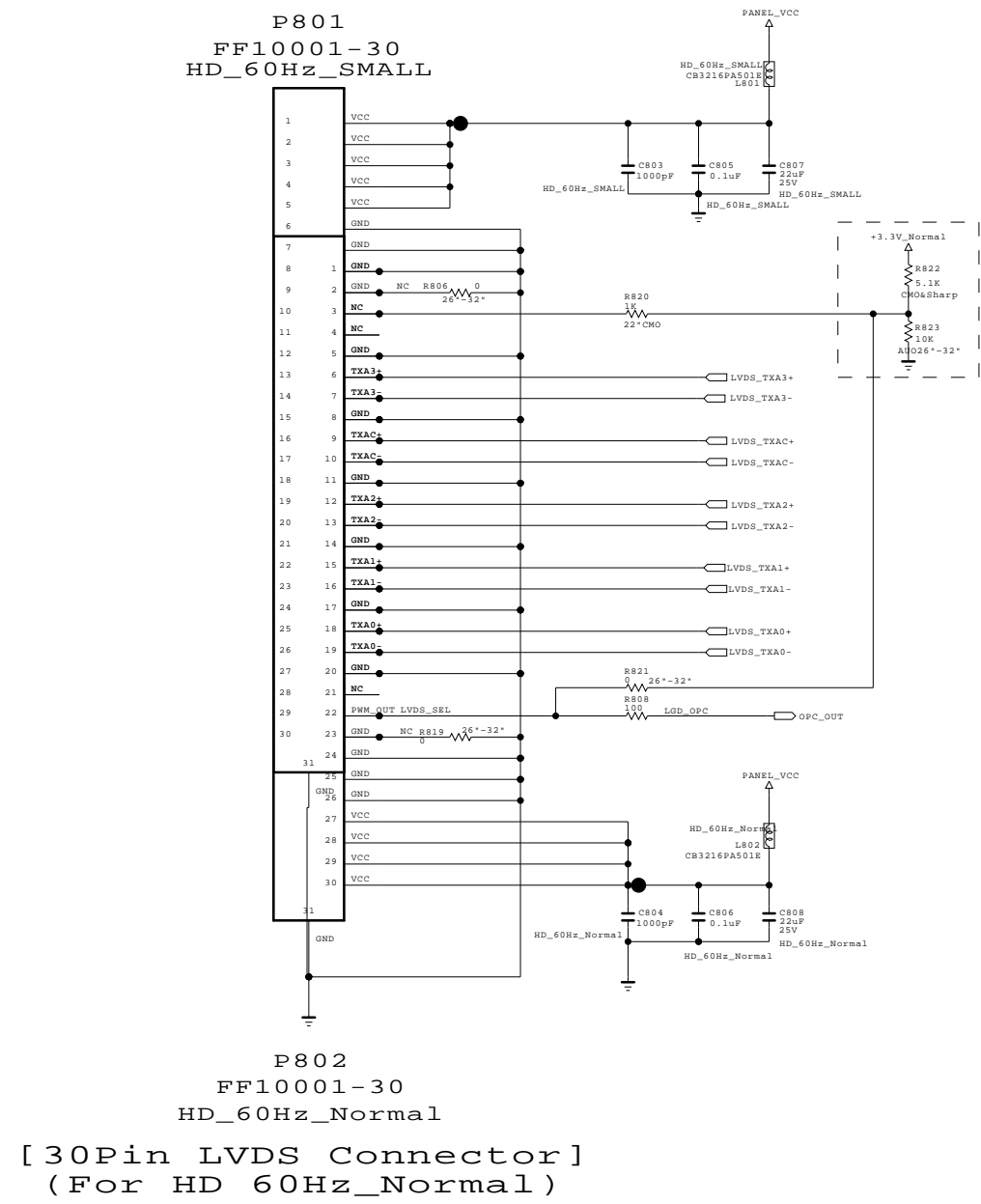


THE SYMBOL MARK OF THIS SCHEMATIC DIAGRAM INCORPORATES SPECIAL FEATURES IMPORTANT FOR PROTECTION FROM X-RADIATION. FILRE AND ELECTRICAL SHOCK HAZARDS, WHEN SERVICING IF IS ESSENTIAL THAT ONLY MANUFACTURES SPECIFIED PARTS BE USED FOR THE CRITICAL COMPONENTS IN THE SYMBOL MARK OF THE SCHEMATIC.

SECRET
LGElectronics



MODEL	LD350	DATE	09.09.03
BLOCK	COMPONENT&AV	SHEET	31 /

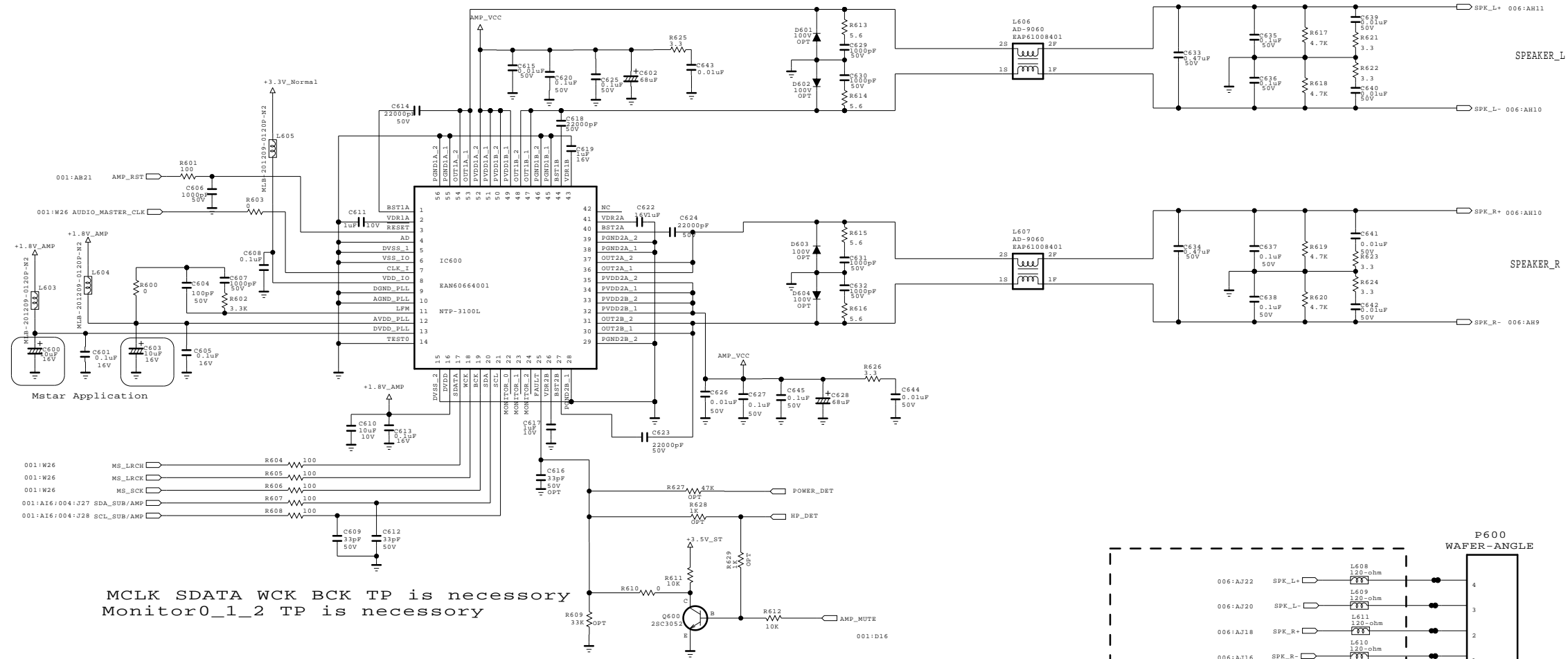
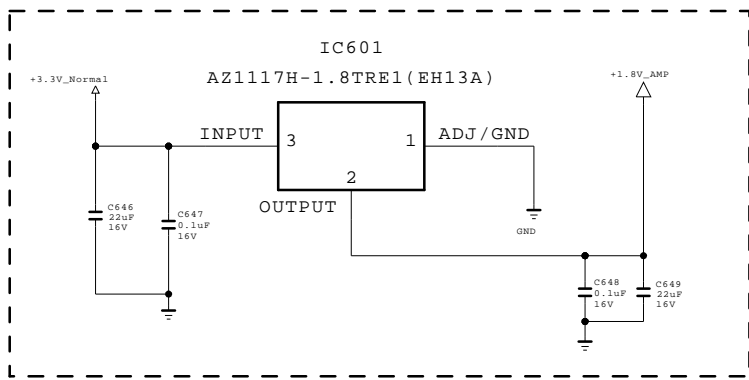


THE Δ SYMBOL MARK OF THIS SCHEMATIC DIAGRAM INCORPORATES SPECIAL FEATURES IMPORTANT FOR PROTECTION FROM X-RADIATION. FILRE AND ELECTRICAL SHOCK HAZARDS, WHEN SERVICING IF IS ESSENTIAL THAT ONLY MANUFACTURES SPECIED PARTS BE USED FOR THE CRITICAL COMPONENTS IN THE Δ SYMBOL MARK OF THE SCHEMATIC.

SECRET
LGElectronics



MODEL	LD350	DATE	09.09.03
BLOCK	LVDS	SHEET	32 /



MCLK SDATA WCK BCK TP is necessary
Monitor0_1_2 TP is necessary

THE Δ SYMBOL MARK OF THIS SCHEMATIC DIAGRAM INCORPORATES SPECIAL FEATURES IMPORTANT FOR PROTECTION FROM X-RADIATION. FILRE AND ELECTRICAL SHOCK HAZARDS, WHEN SERVICING IF IS ESSENTIAL THAT ONLY MANUFACTURES SPECIFIED PARTS BE USED FOR THE CRITICAL COMPONENTS IN THE Δ SYMBOL MARK OF THE SCHEMATIC.

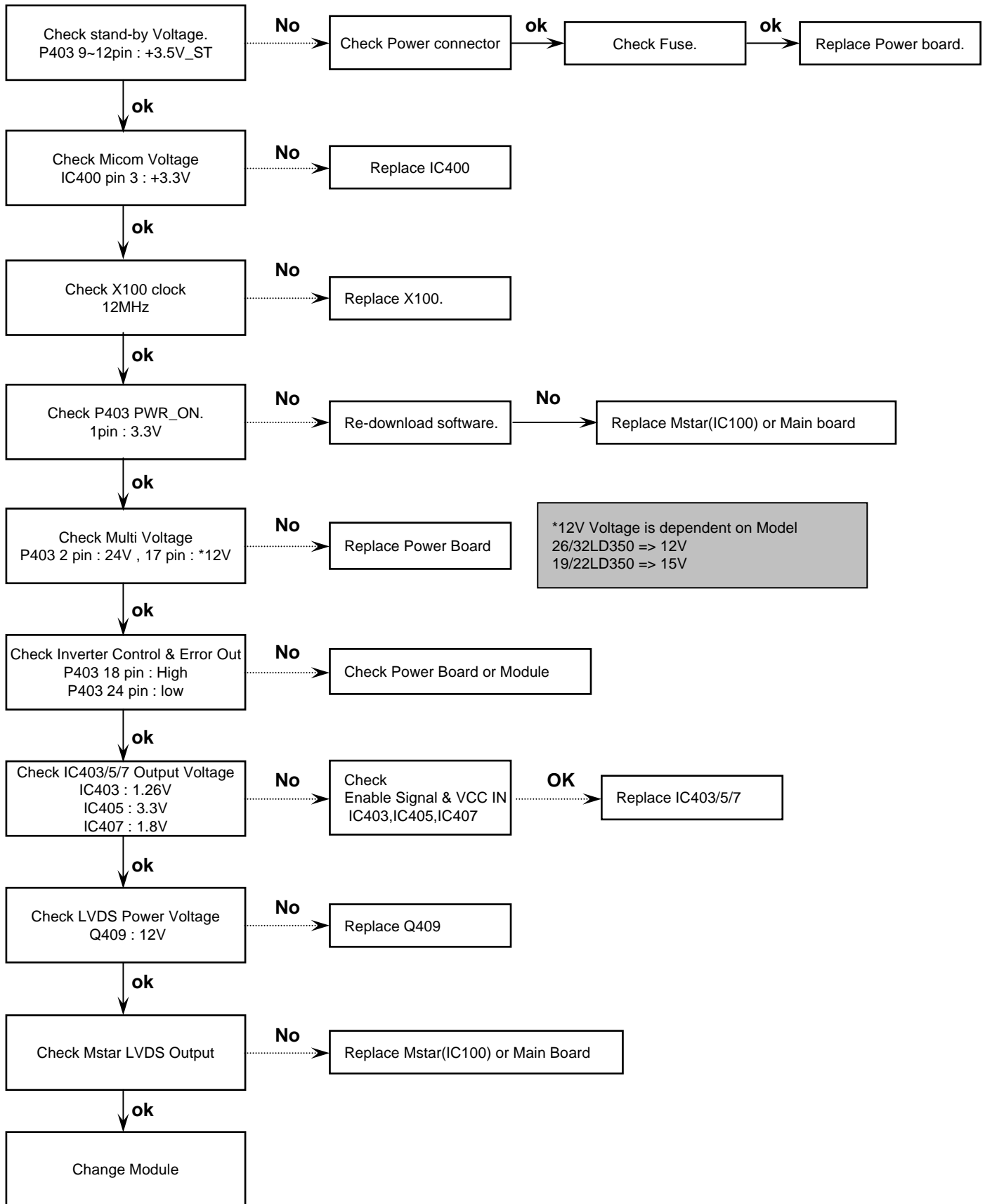
SECRET
LGElectronics

KIM JONG HYUN
LG ELECTRONICS

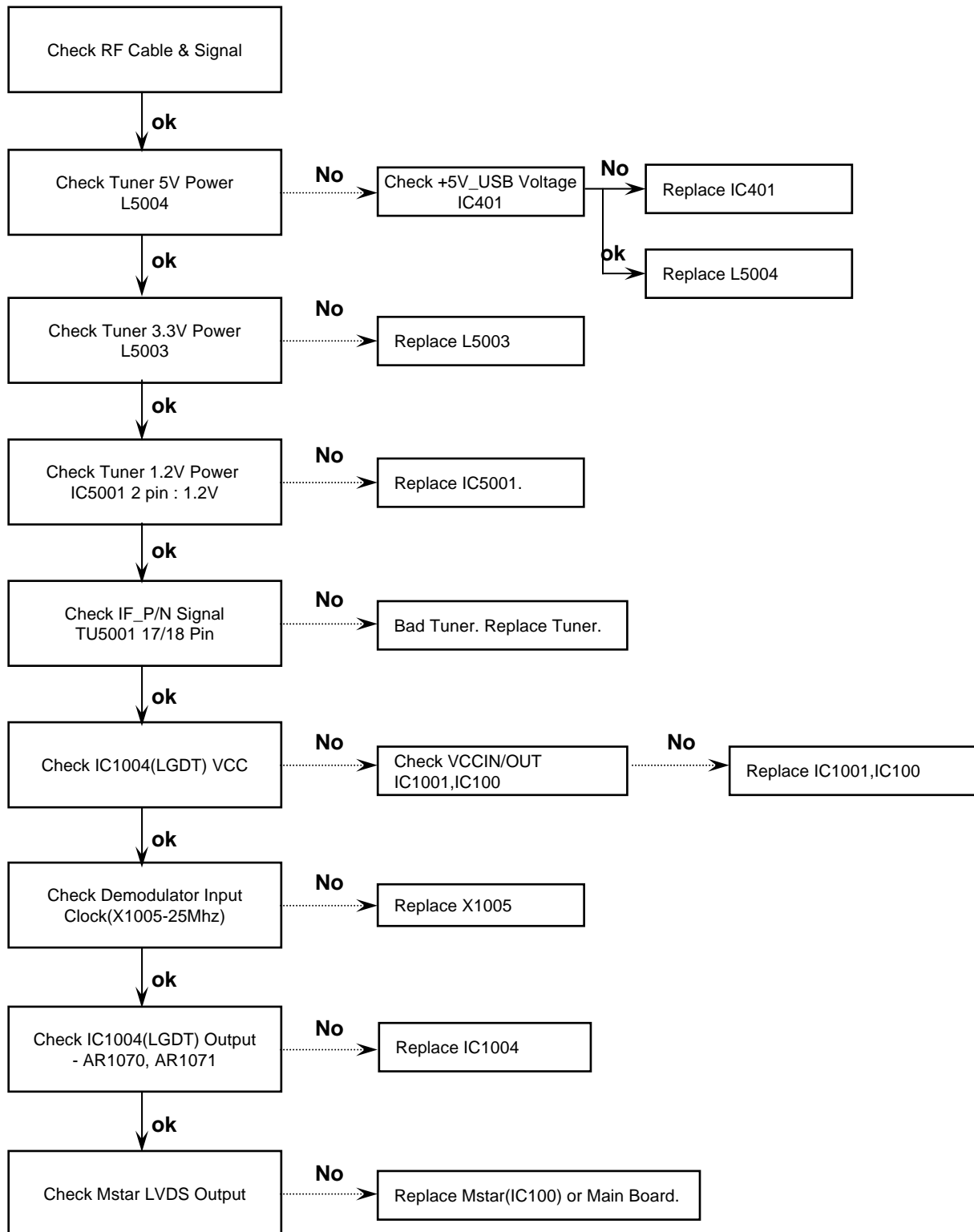
MODEL	Mstar (MERCURY)	DATE	09.02.19
BLOCK	Audio Amp	SHEET	3 / 14



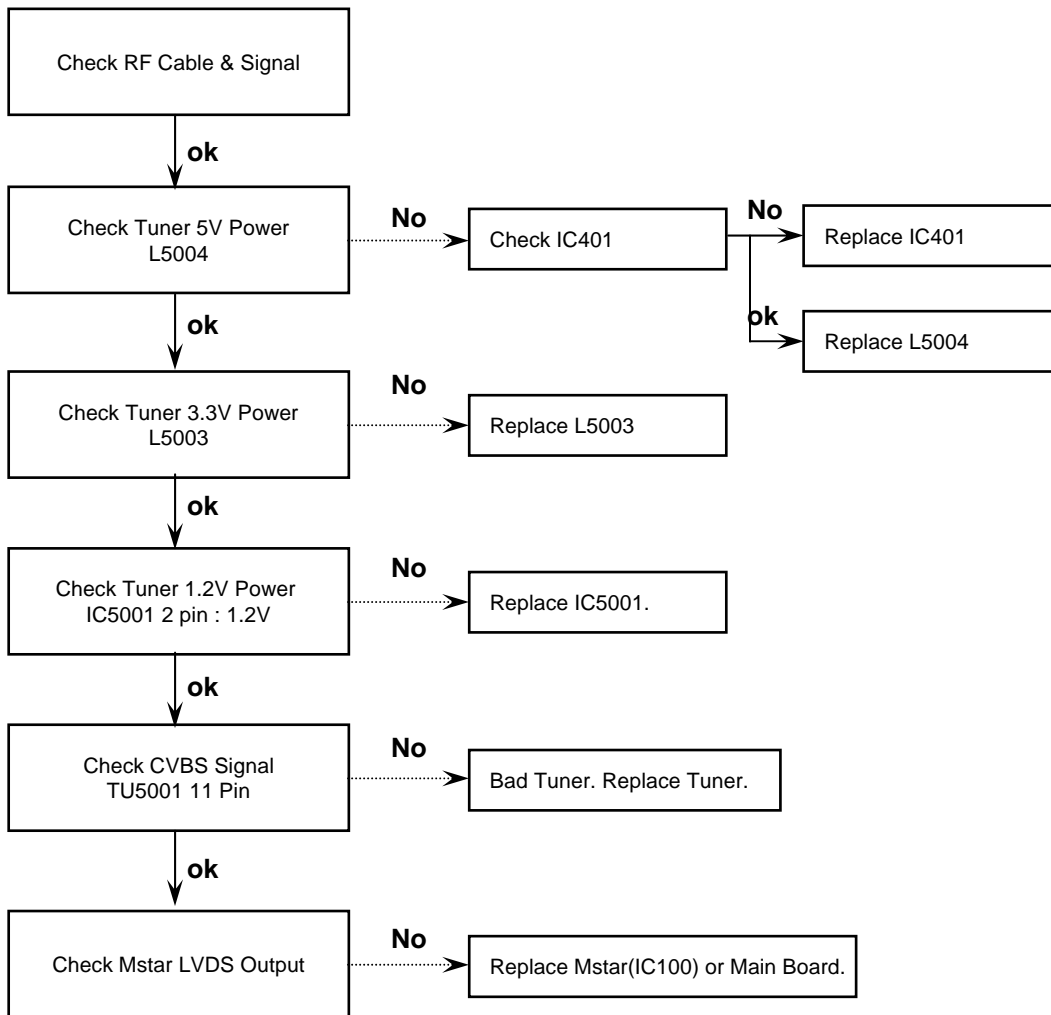
1. Power-up boot check



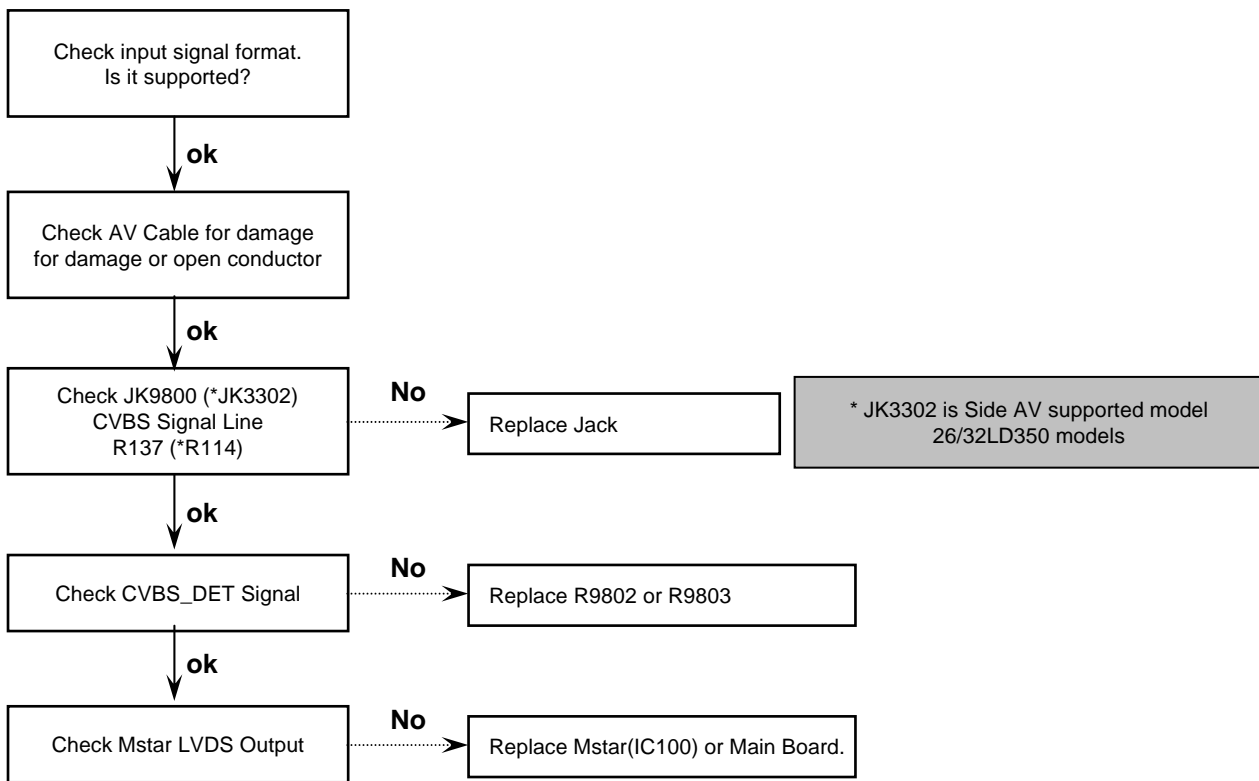
2. Digital TV Video



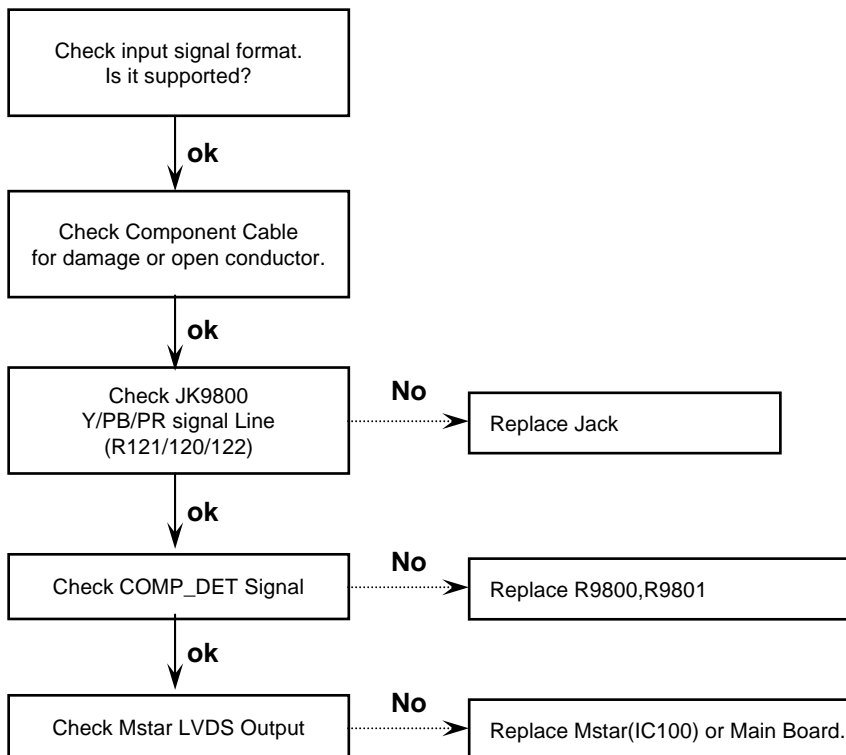
3. Analog TV Video



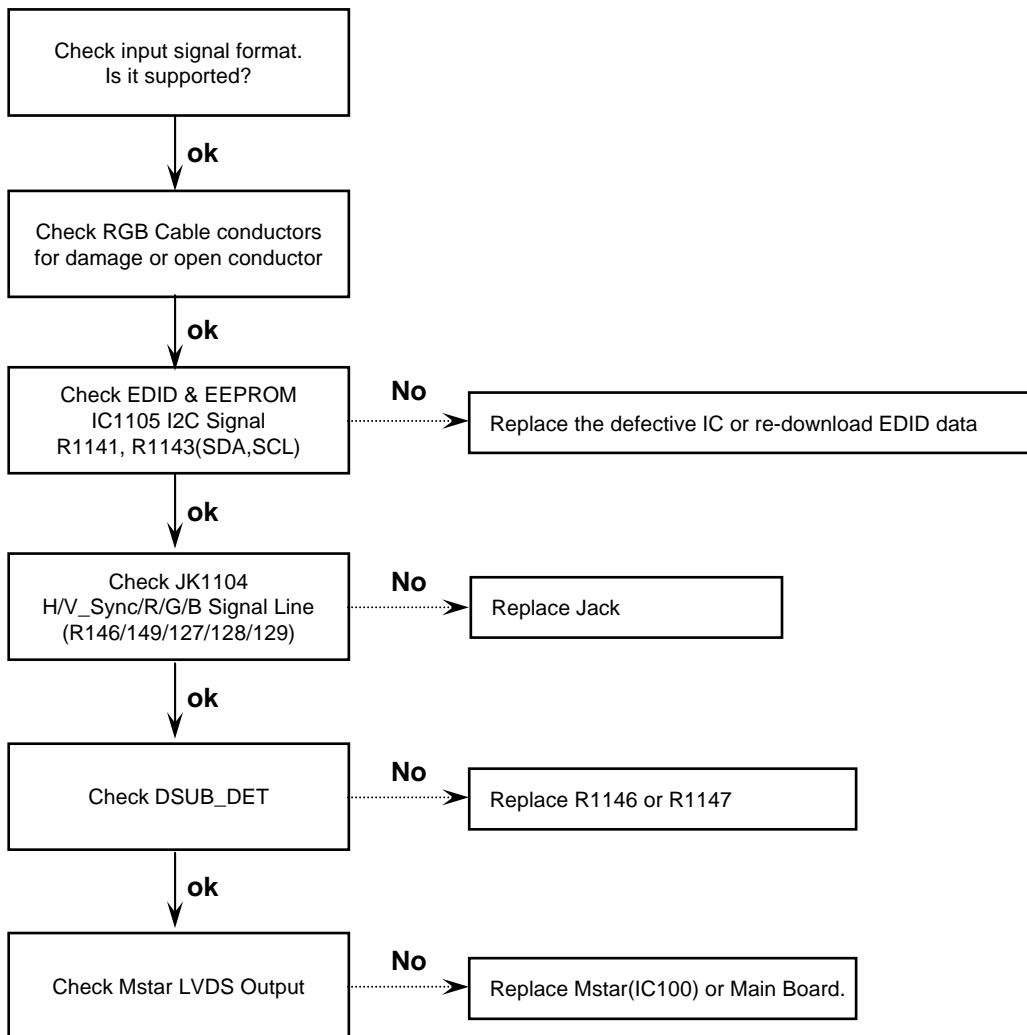
4. AV Video



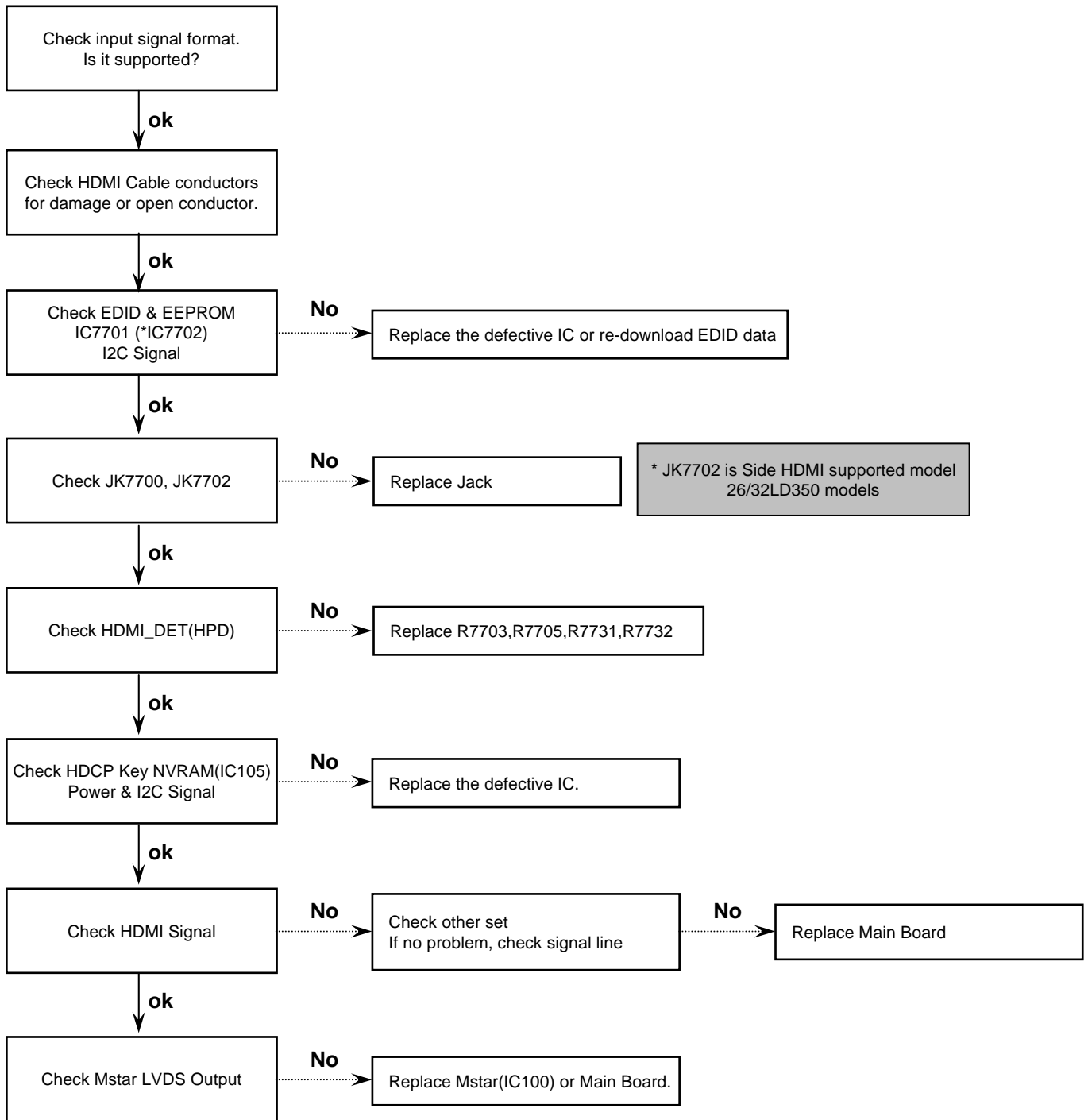
5. Component Video



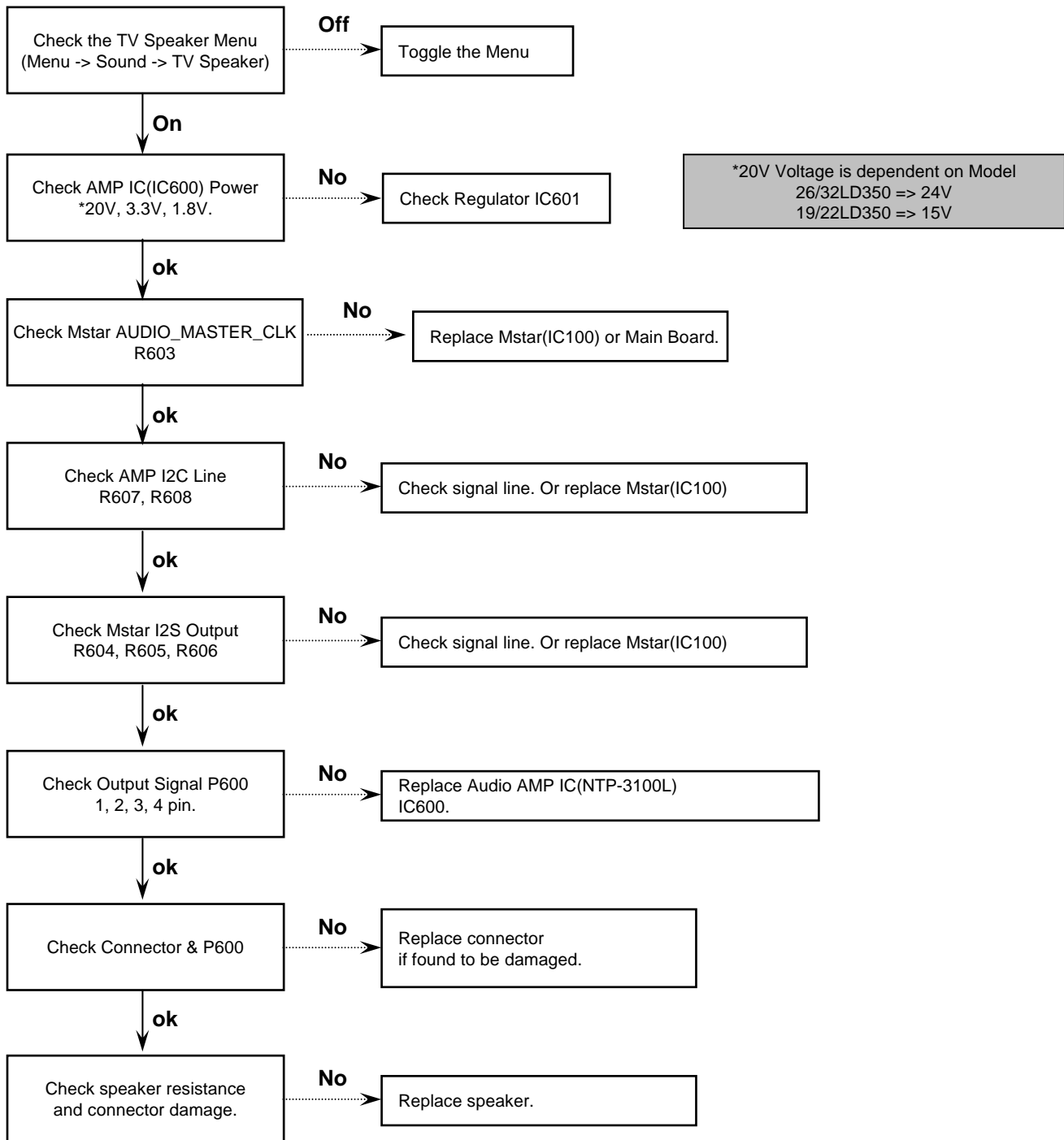
6. RGB Video



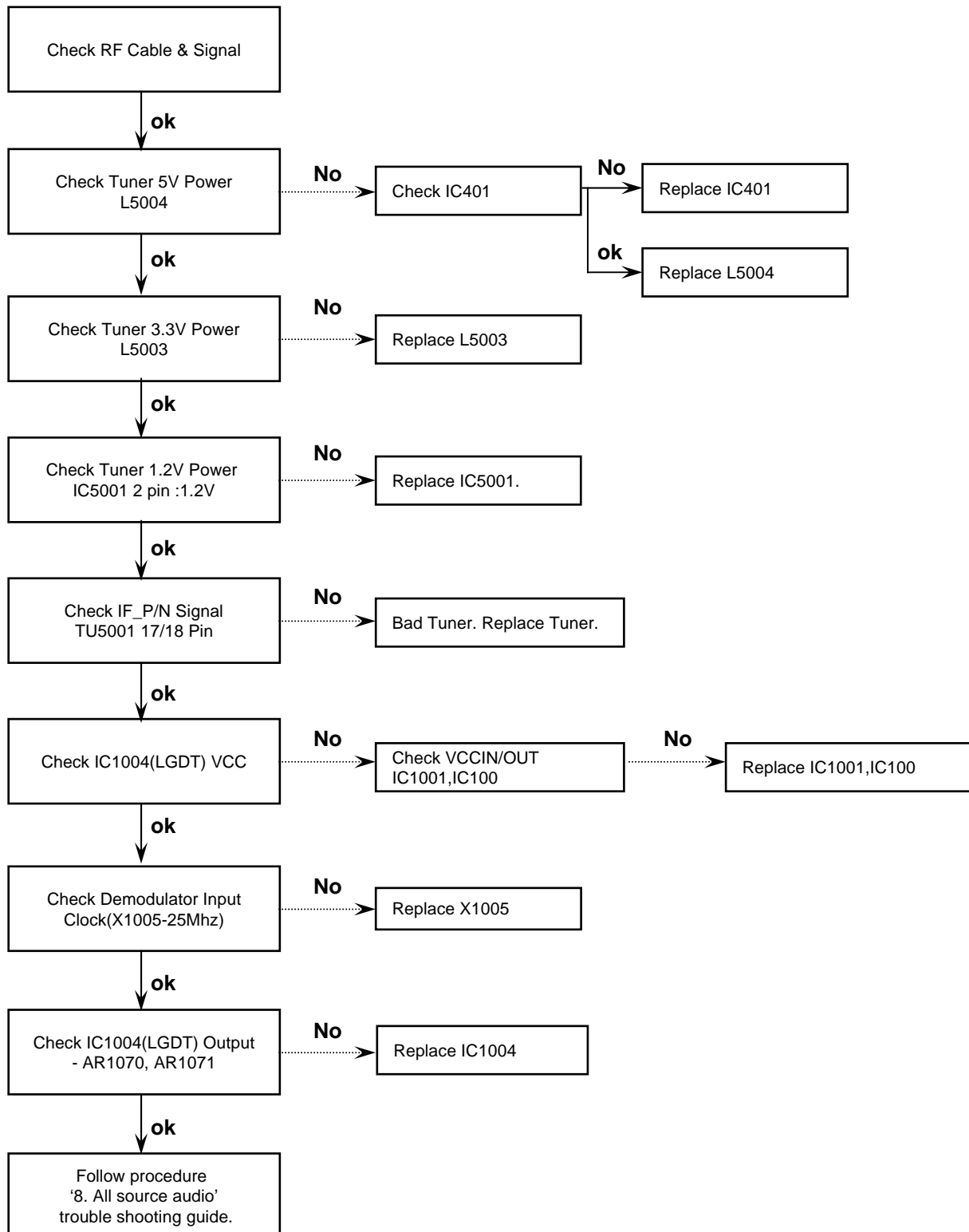
7. HDMI Video



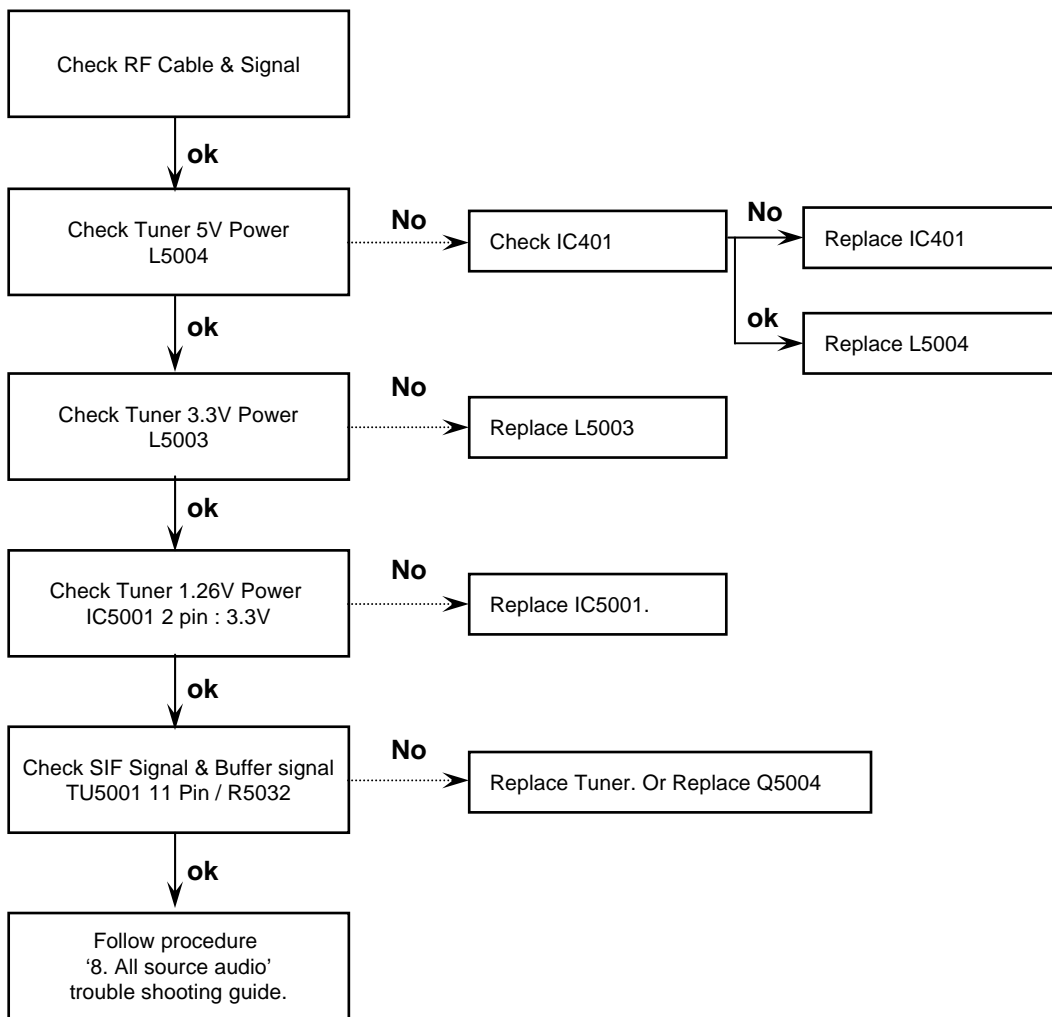
8. All Source Audio



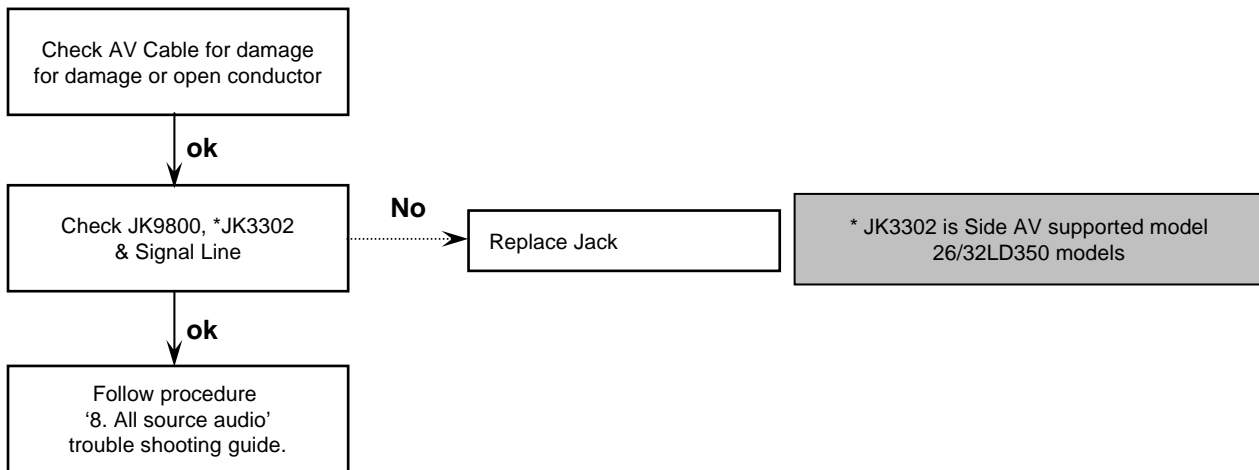
9. Digital TV Audio



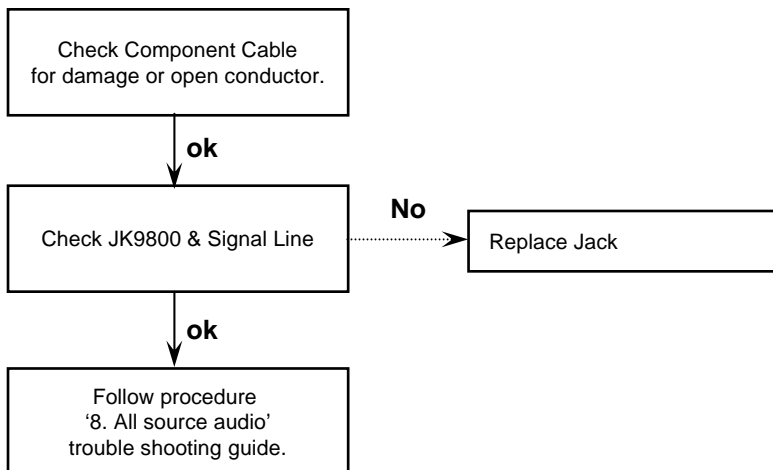
10. Analog TV Audio



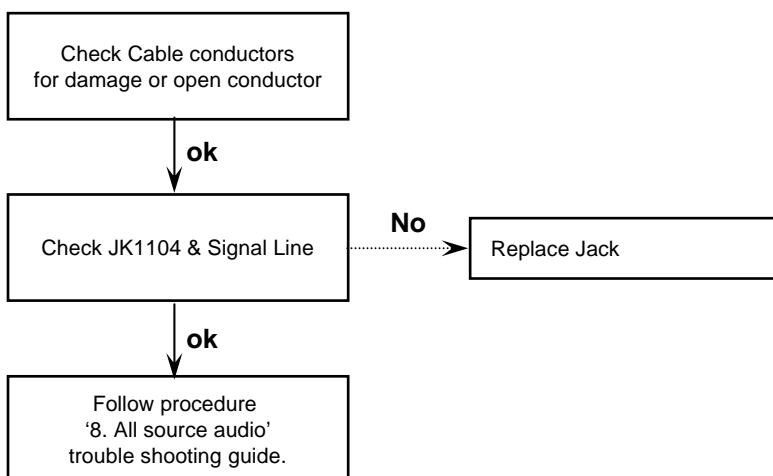
11. AV Audio



12. Component Audio



13. RGB Audio



LD350 Block Diagram

< Contents >

Overall Block Diagram

Video Signal Block

Audio Signal Block

Flash Block & Reset

MSD3368 I2C Block

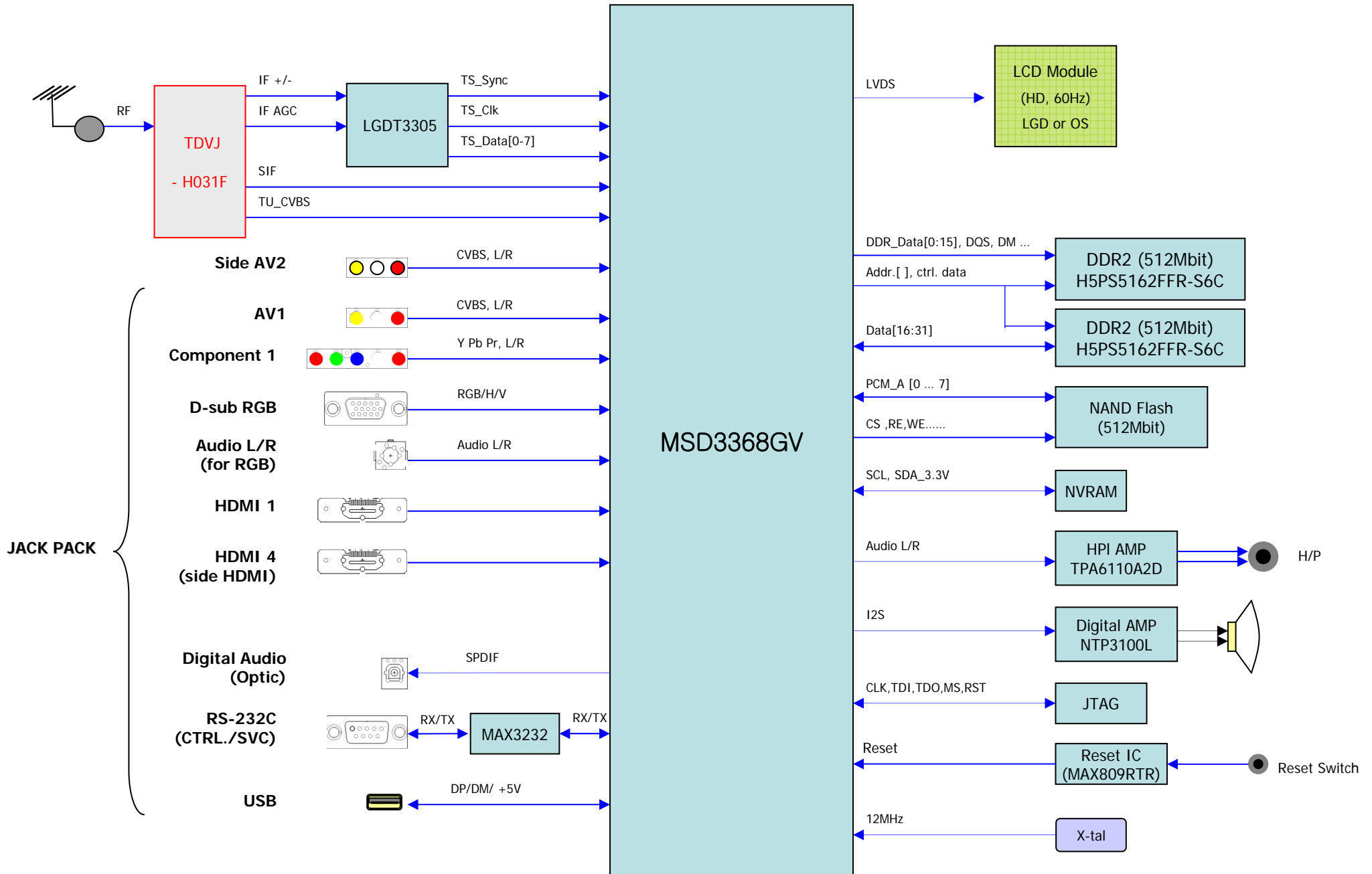
MSD3368 GPIO Block

LVDS 출력 Block

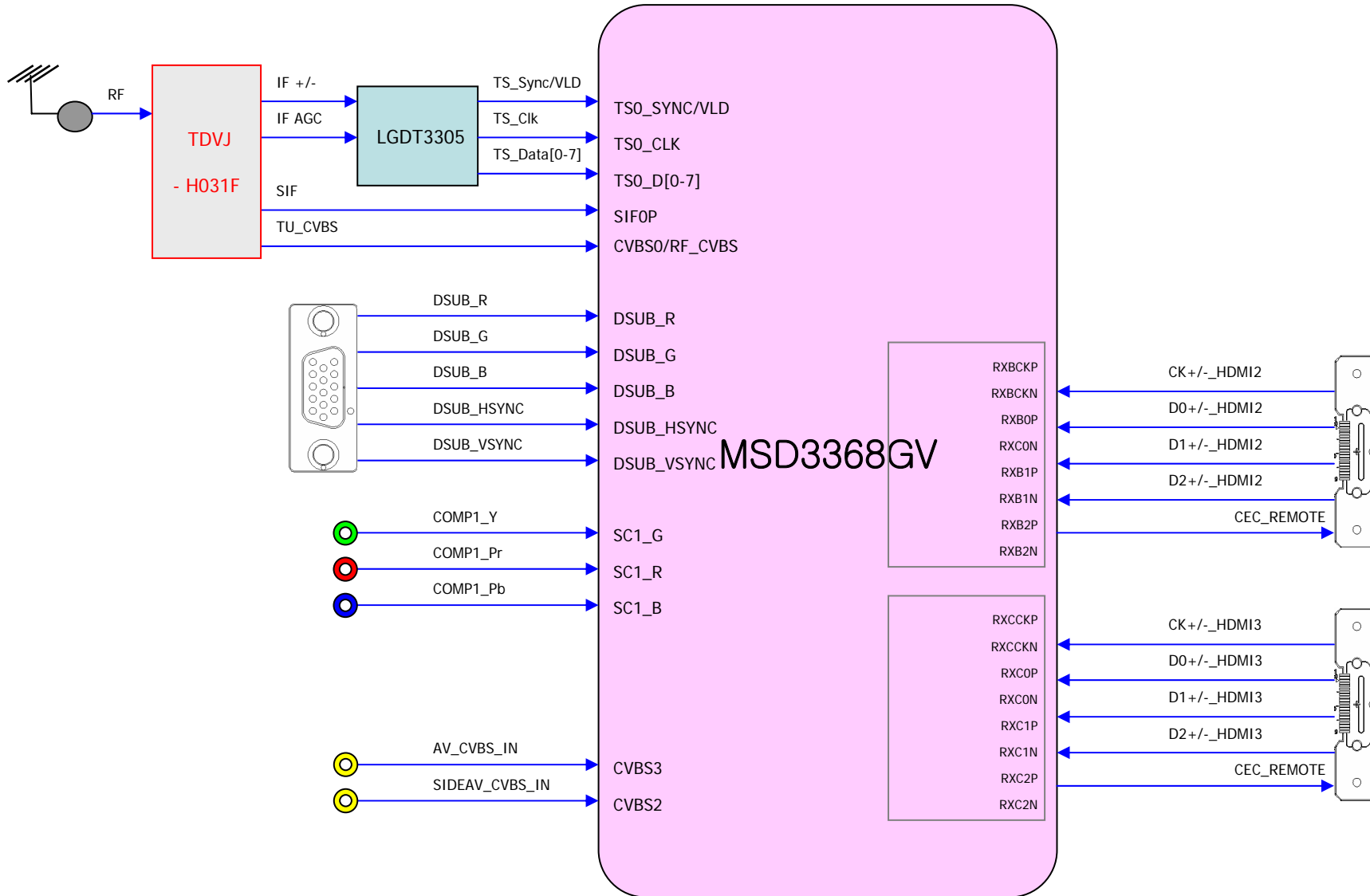
POWER Block



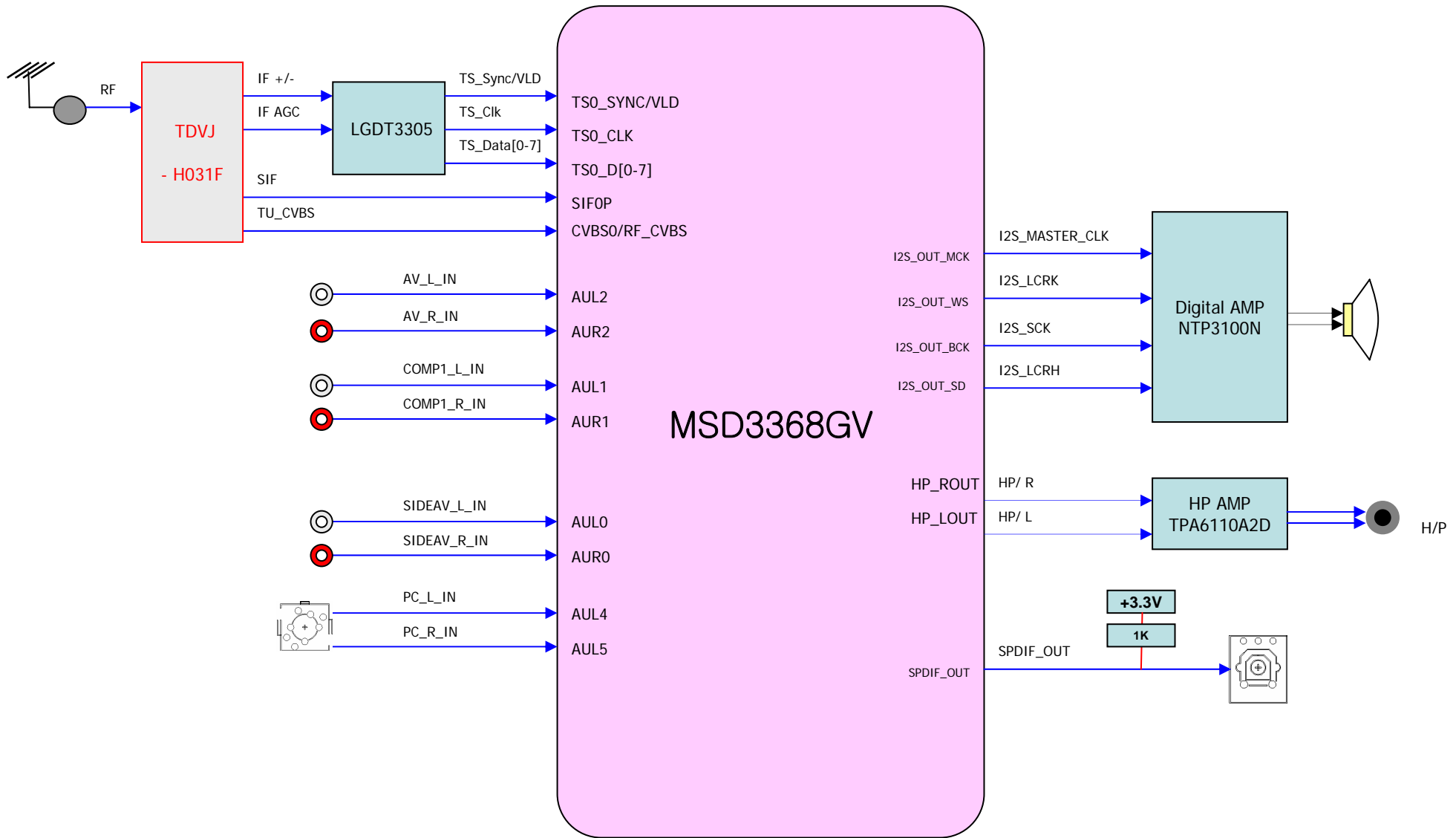
LG Electronics/ LCD TV Division
LCD TV Gr.



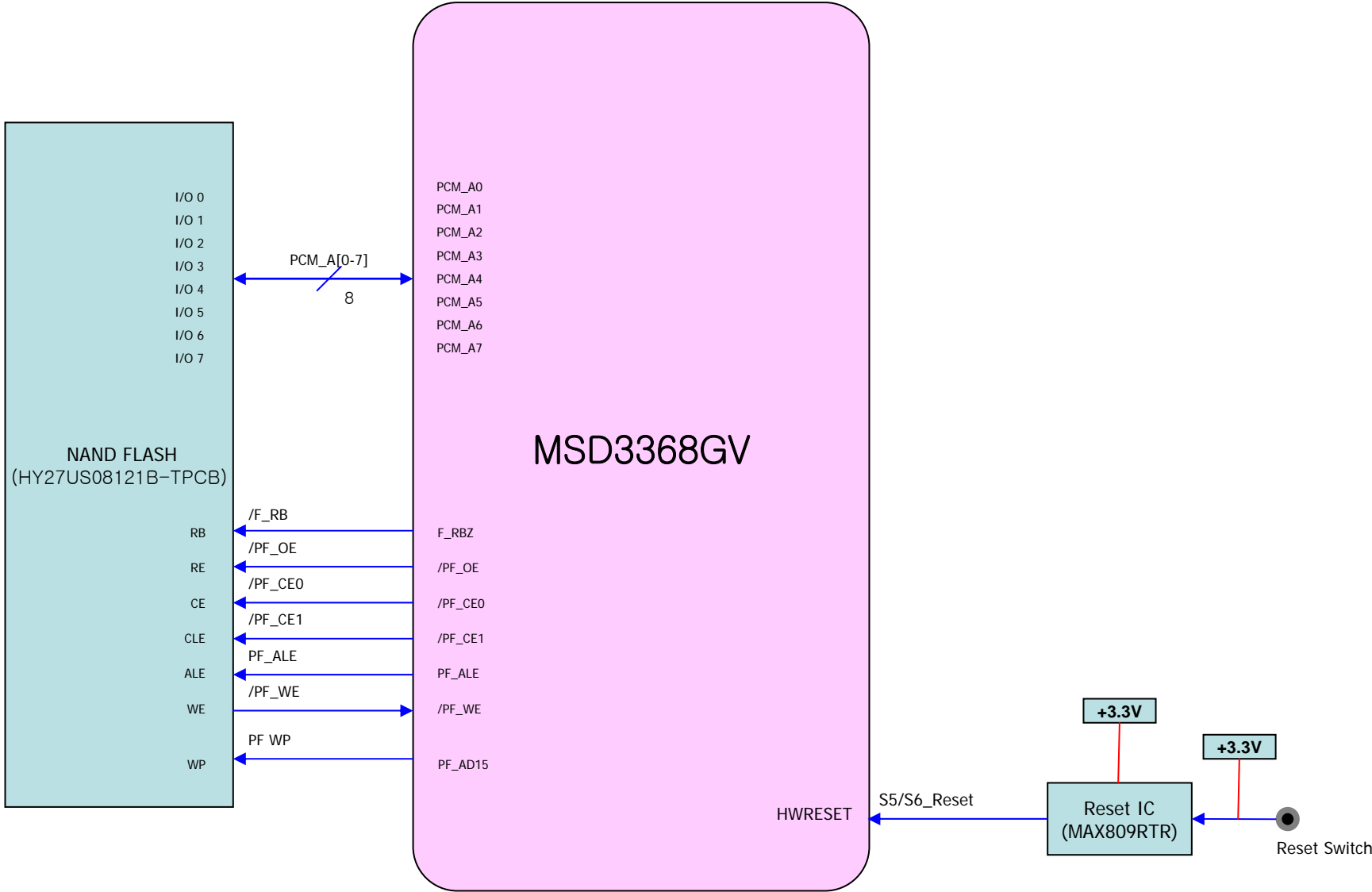
Video Signal Block



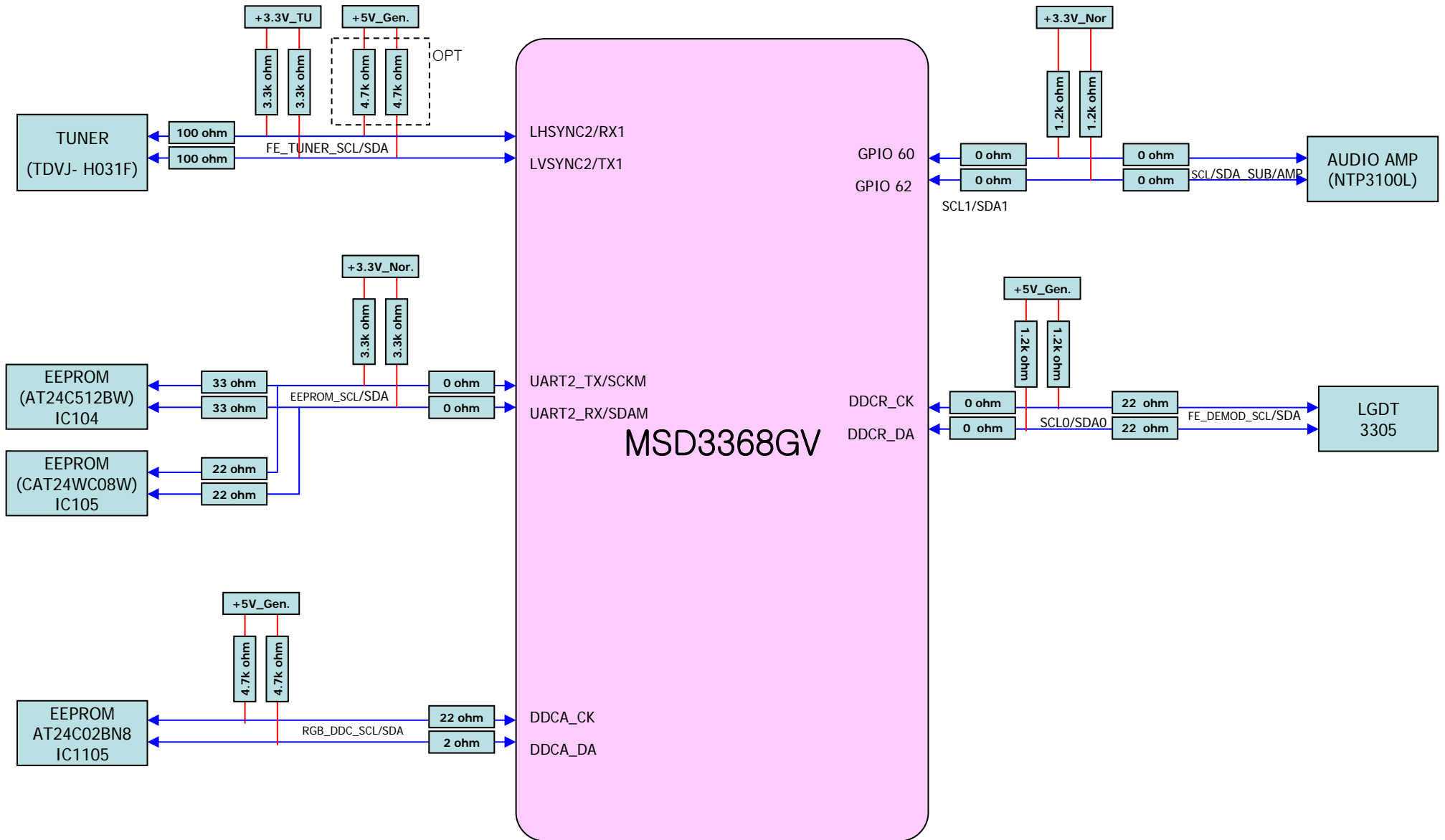
Audio Signal Block



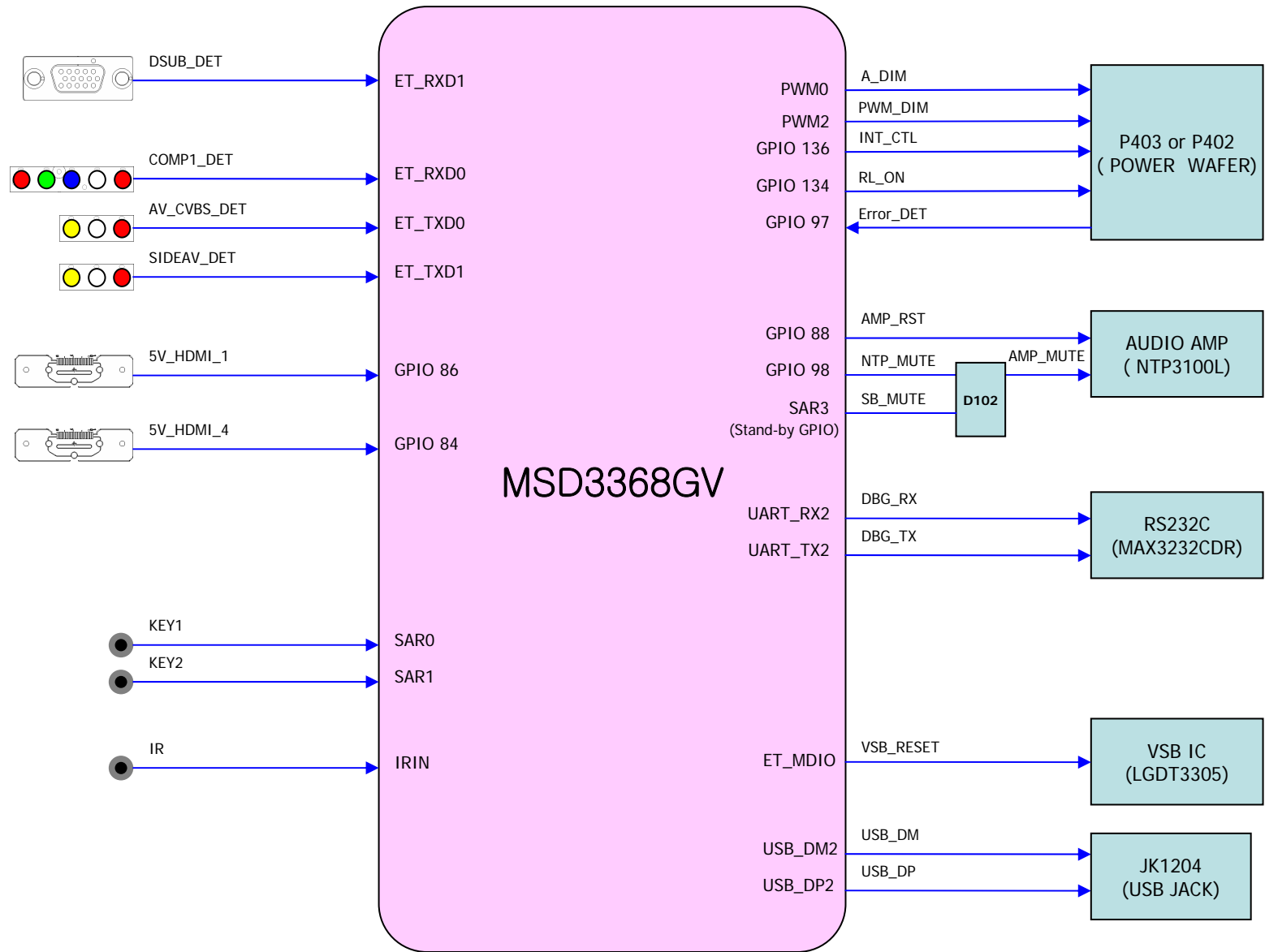
Flash Block & Reset



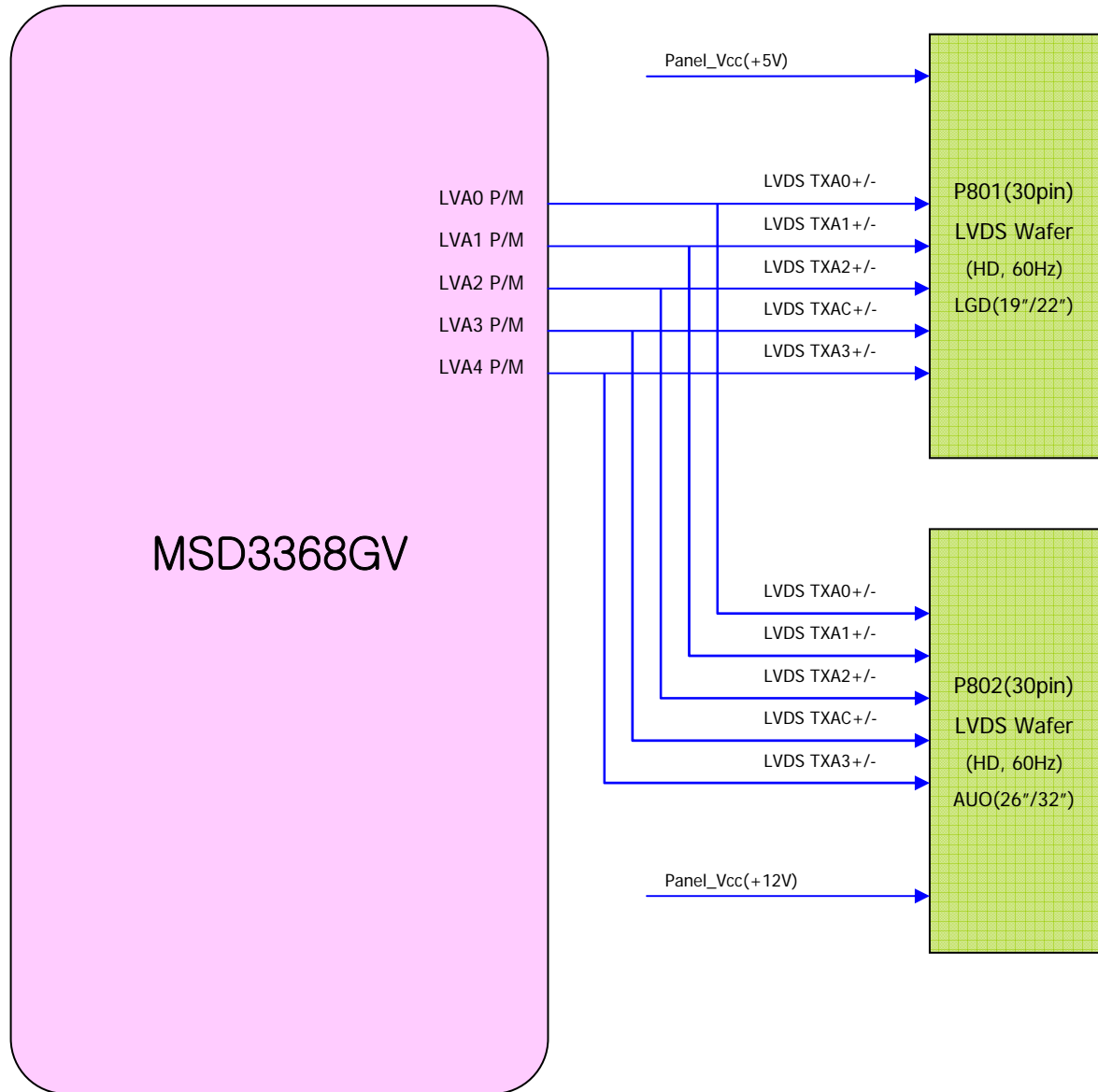
I2C Block



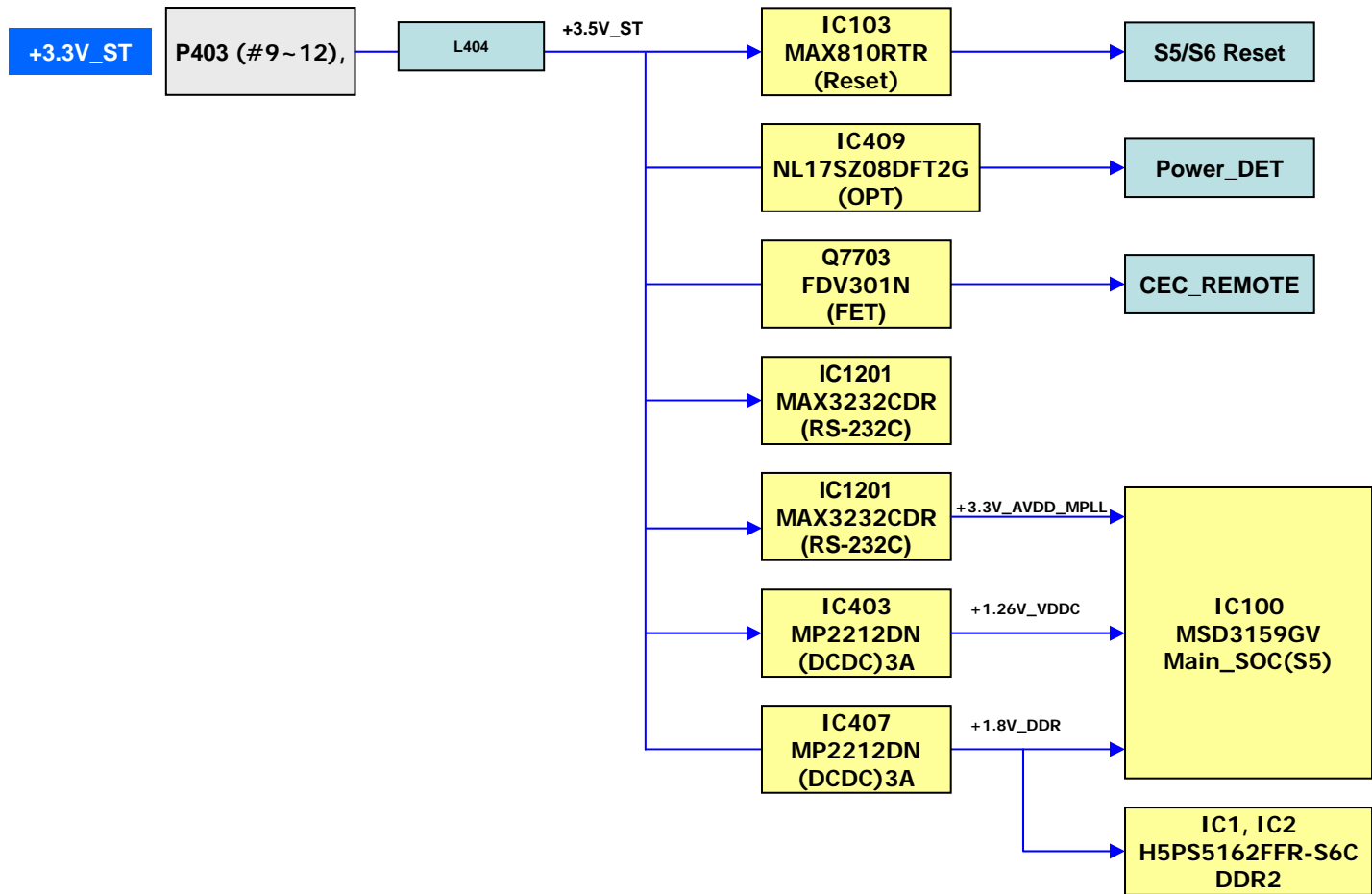
GPIO Block



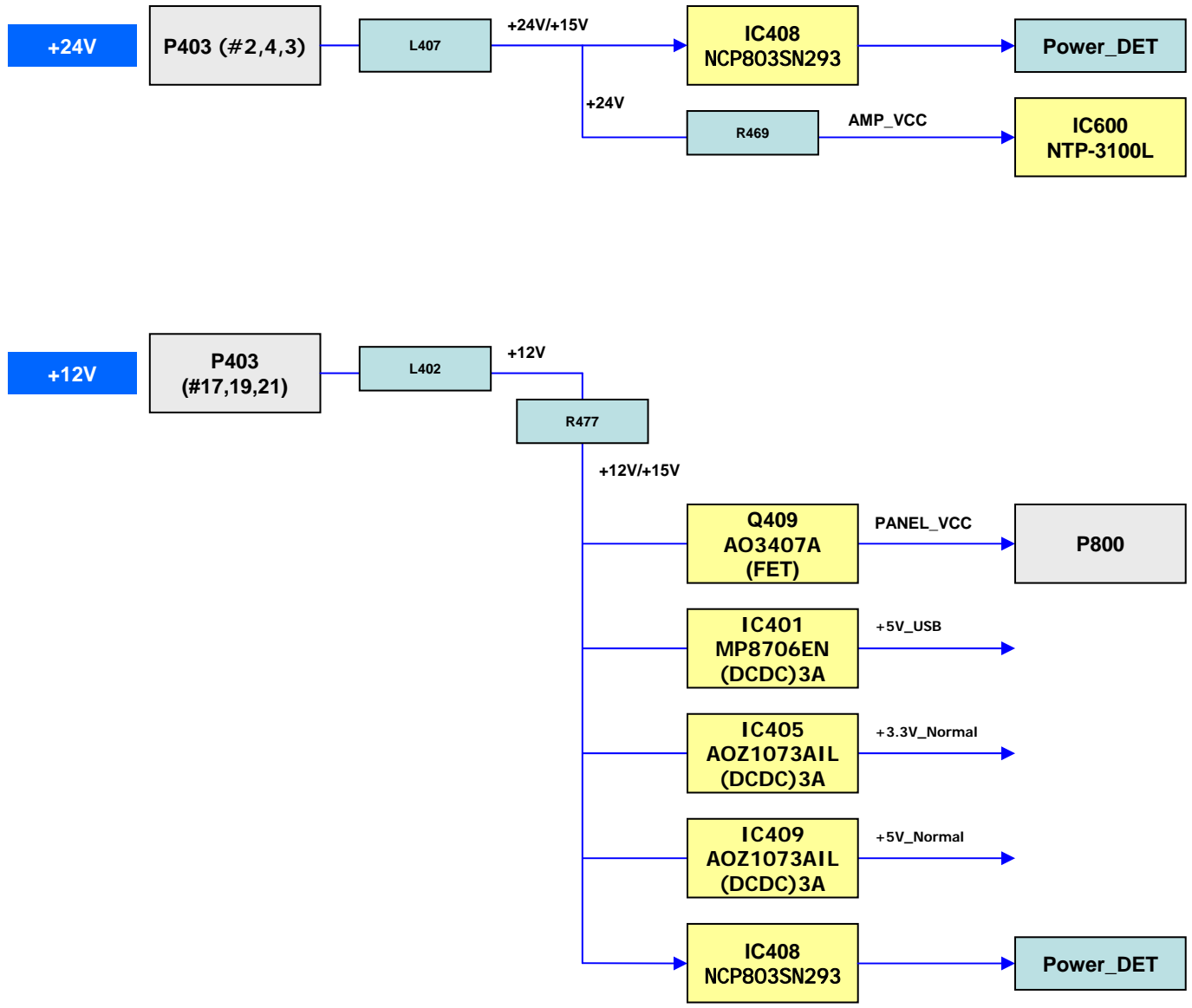
LVDS 출력 Block



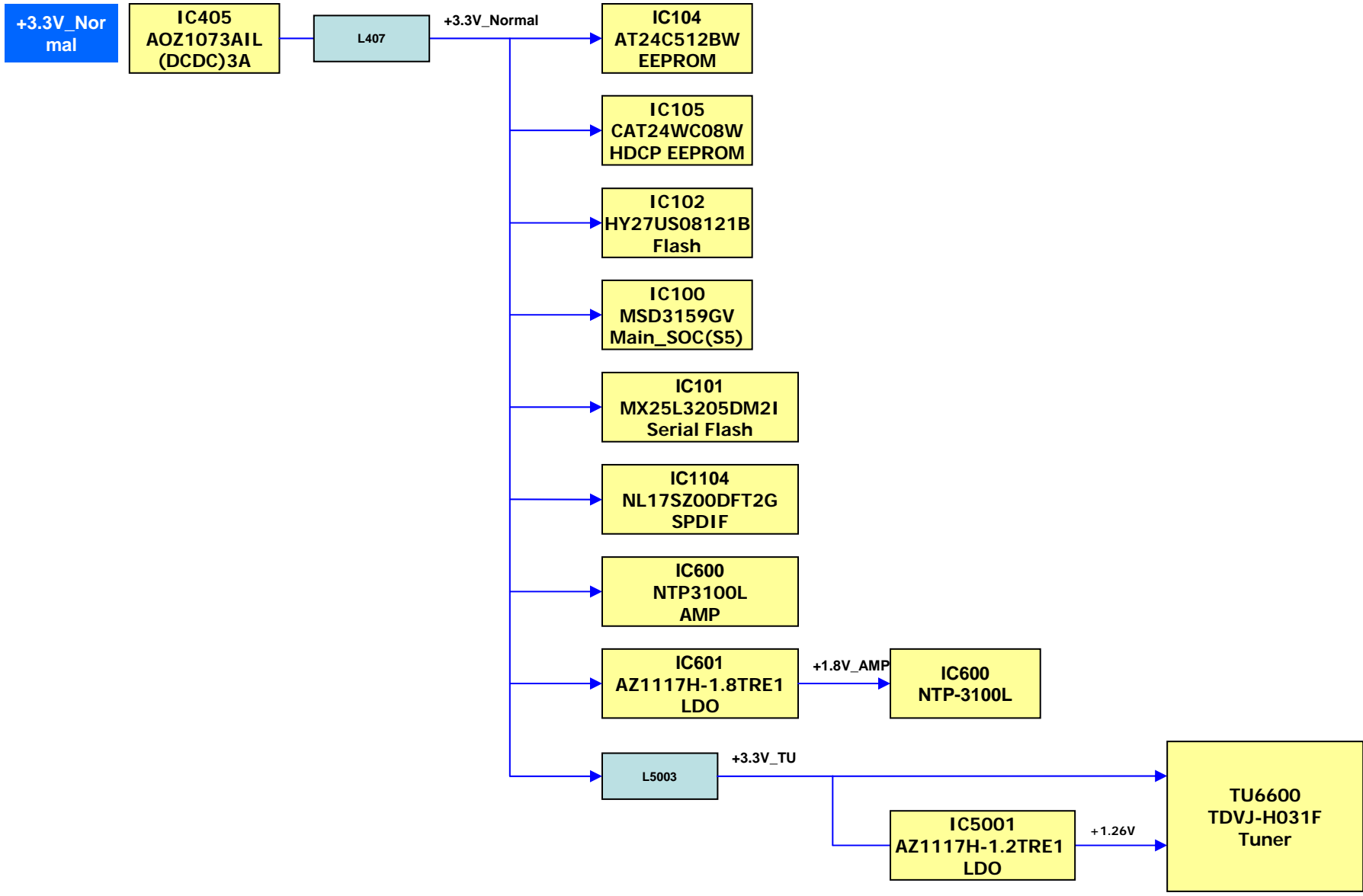
POWER Block (+3.5V_ST)_For 26"/32"



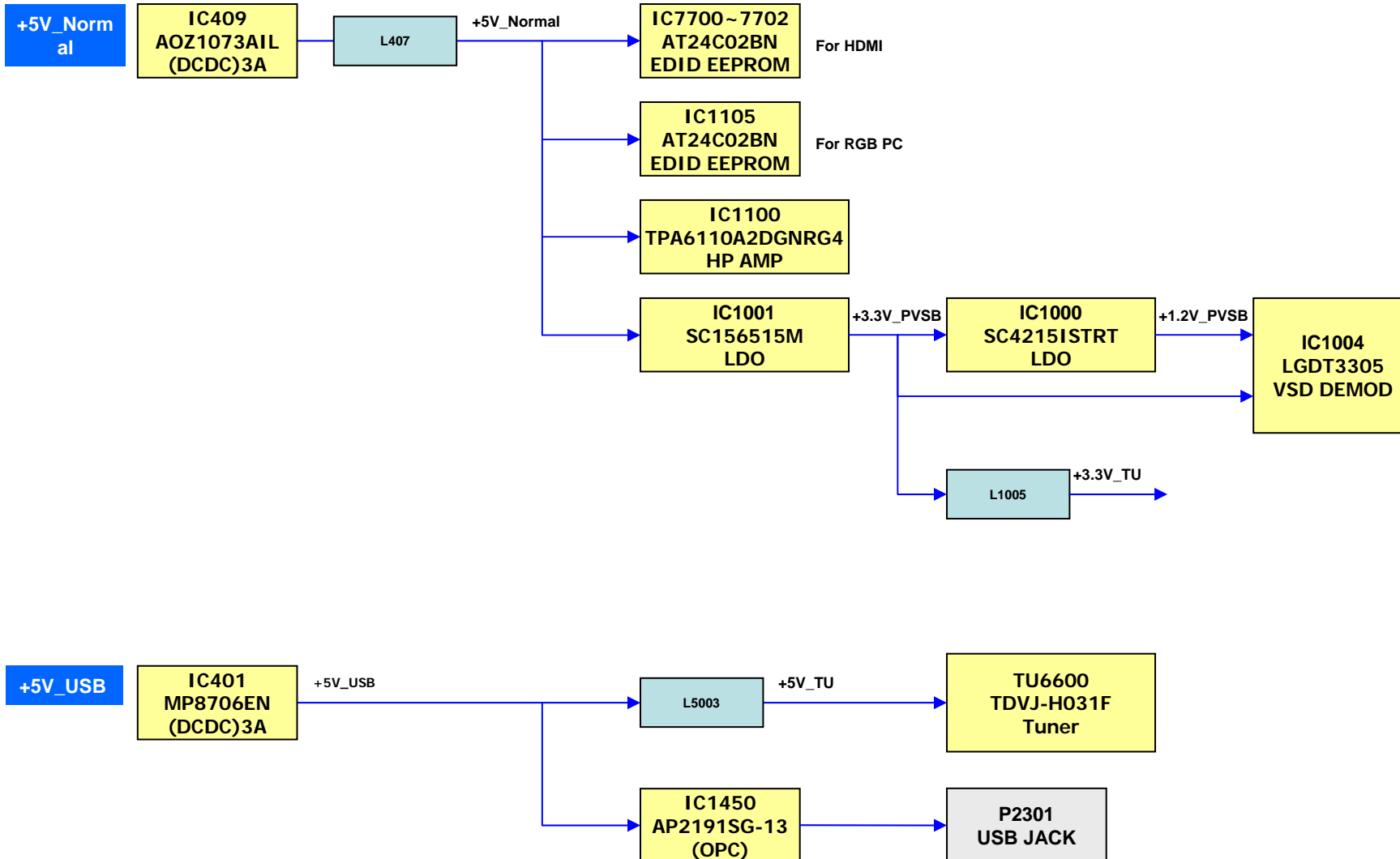
POWER Block (+24V & 12V & +12V/+15V)_For 26"/32"



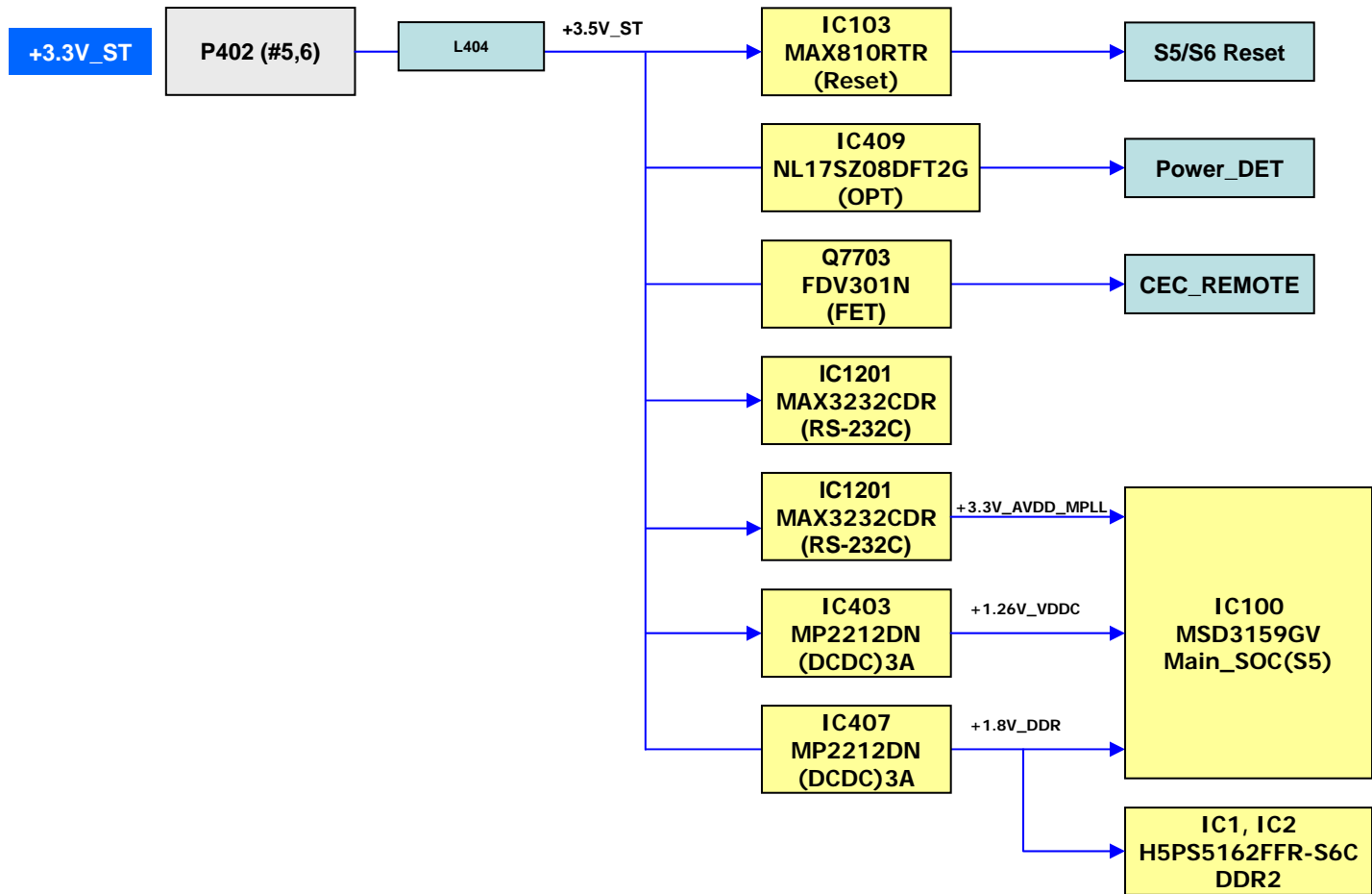
POWER Block (+3.3V_Noraml)_For 26"/32"



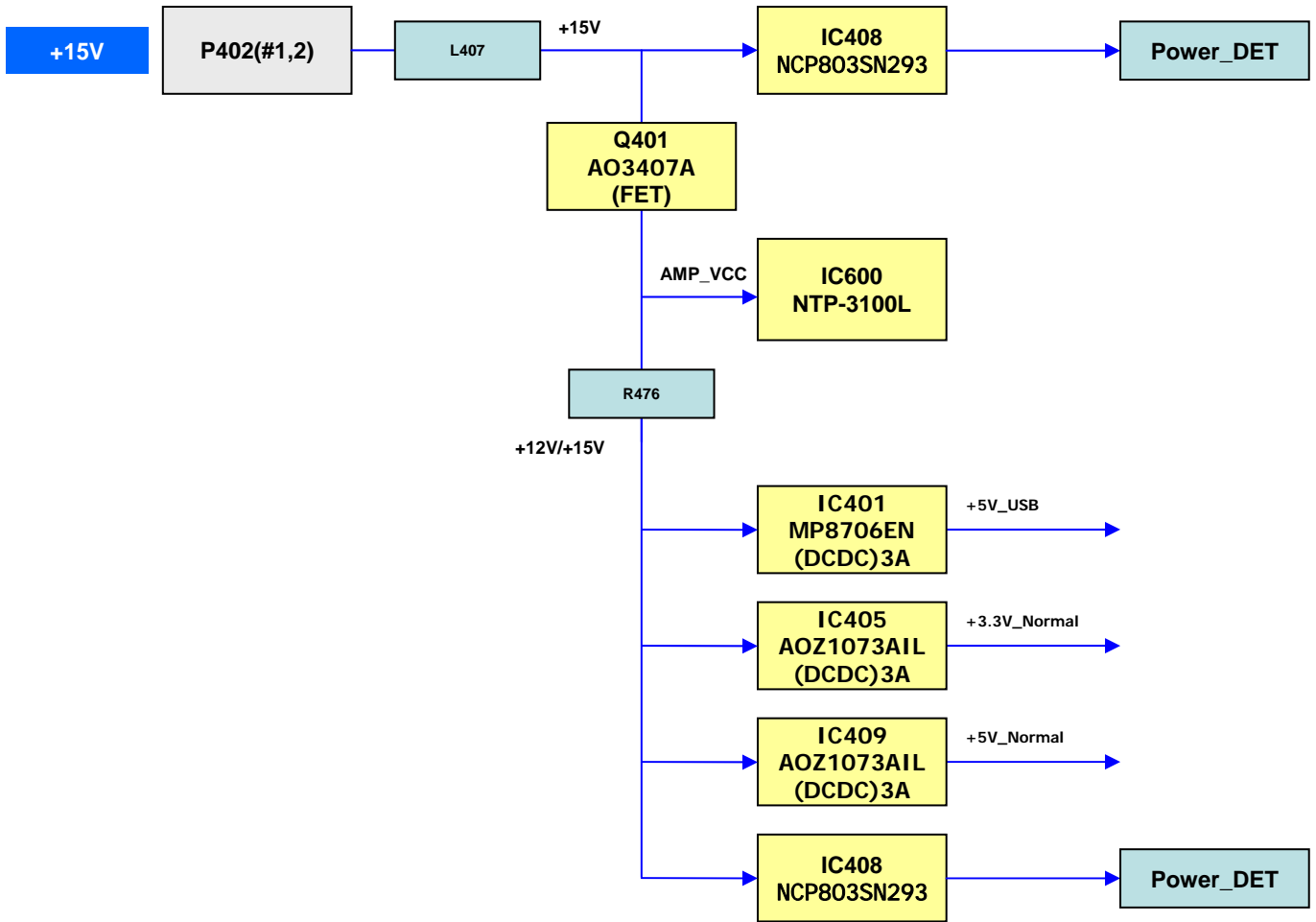
POWER Block (+5V_NoramI)_For 26"/32"



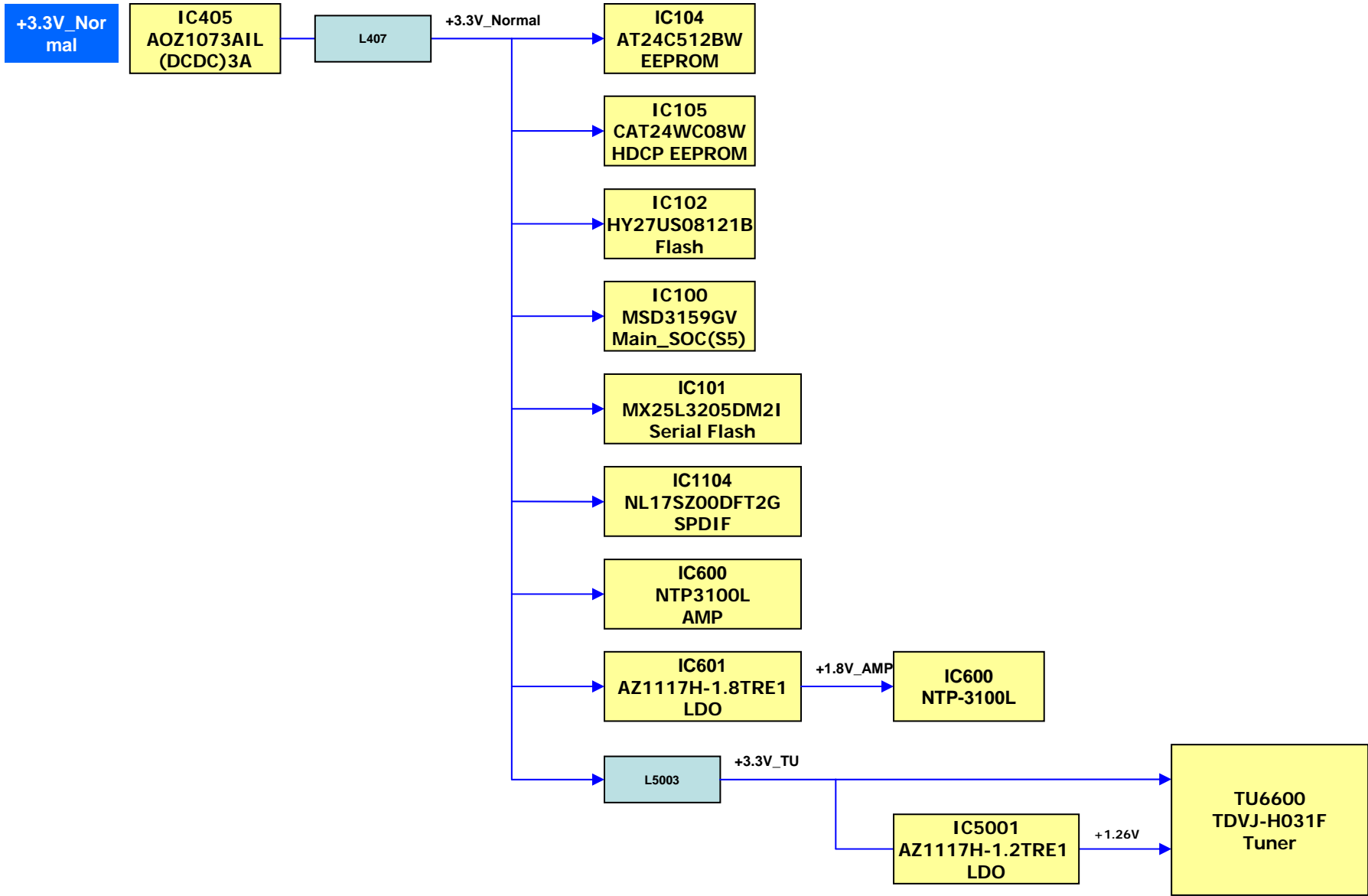
POWER Block (+3.5V_ST)_For 19"/22"



POWER Block (+15V & +12V/+15V)_For 19"/22"



POWER Block (+3.3V_Noraml)_For 19"/22"



POWER Block (+3.3V_Noraml)_For 19"/22"

