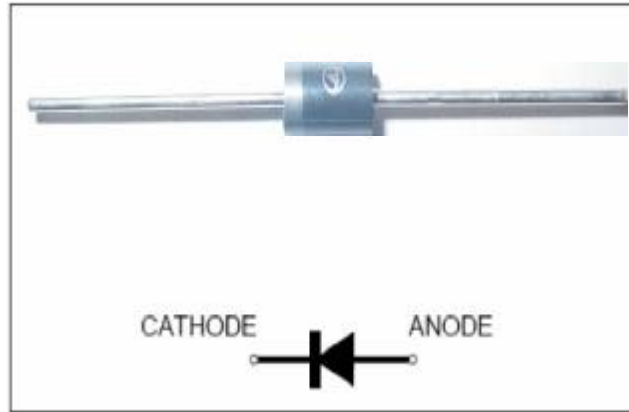


1W 1N47**AM Series Zener Diodes

Feature & Dimensions

- * 1W DO-41
- * Zener voltage regulator diodes
- * Plastic package has Underwriters Laboratory Flammability Classification 94V-0
- * Complete voltage range_24volts
- * We declare that the material of product compliance with RoHS requirements.
- * Guarding for over voltage protection
- * High temperature soldering guaranteed: 260°C/10 seconds at terminals



We declare that the material of product compliance with ROHS requirements

Absolute Maximum Ratings(Ta=25°C)

Power Dissipation at T _{amb} = 25°C	P _{tot}	1	1)	W
Forward voltage at I _F =200mA	V _F	1.2		V
Junction Temperature	T _j	175		°C
Storage Temperature Range	T _s	-65 to +175		°C

1)Valid provided that leads at a distance of 8mm from case are kept at ambient temperature

1. Product Characteristic

TYPE		Nominal	Test	Max Zener Impedance			Max Reverse		Surge Current @
Type	Marking	Zener	Current	A and B Suffix only			Leakage Current		Ta=25°C
		Voltage	I _{zt}	Z _{zt} @ I _{zt}	Z _{zk} @ I _{zk}	Z _{zk} @ I _{zk}	I _R	V _R	I _r -m A
		V _z @I _{zt}	mA	Ohms	Ohms	m A	uA Max	Volts B	
		Volts							
1N4736AM	1N4736AM	6.8	37	3.5	700	0.5		4	660
1N4737AM	1N4737AM	7.5	34	4	700			5	605
1N4738AM	1N4738AM	8.2	31	4.5				6	550
1N4739AM	1N4739AM	9.1	28	5				7	500
1N4740AM	1N4740AM	10	25	7	700	0.25	5	7.6	454
1N4741AM	1N4741AM	11	23	8				8.4	414
1N4742AM	1N4742AM	12	21	9				9.1	380
1N4743AM	1N4743AM	13	19	10	700			9.9	344
1N4744AM	1N4744AM	15	17	14	700			11.4	304
1N4745AM	1N4745AM	16	15.5	16	700			12.2	285

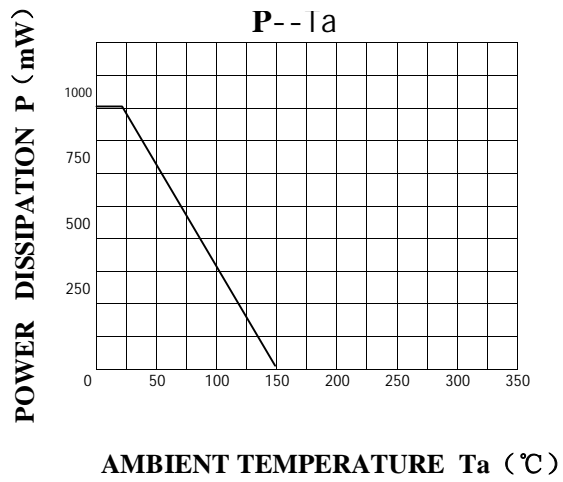
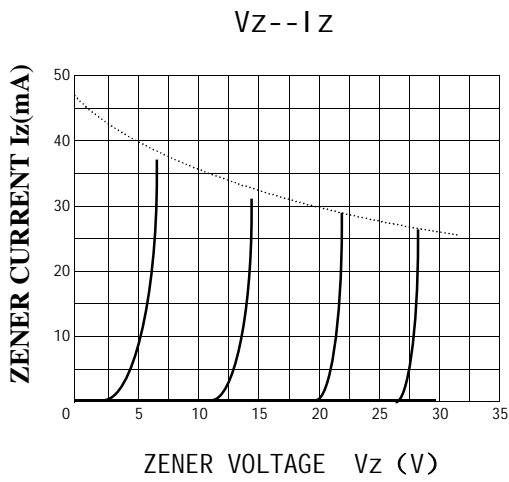
1W 1N47**AM Series Zener Diodes

TYPE		Nominal	Test	Max Zener Impedance			Max Reverse		Surge Current @
Type	Marking	Zener	Current	A and B Suffix only			Leakage Current		Ta=25°C
		Voltage	Izt	Zzt @ Izt	Zzk@ Izk	Zzk@ Izk	IR	VR	Ir-m A
		Vz@Izt	mA	Ohms	Ohms	m A	uA Max	Volts B	
		Volts							
1N4746AM	1N4746AM	18	14	20	750	0.25	5	13.7	250
1N4747AM	1N4747AM	20	12.5	22	750			15.2	225
1N4748AM	1N4748AM	22	11.5	23	750			16.7	205
1N4749AM	1N4749AM	24	10.5	25	750			18.2	190
1N4750AM	1N4750AM	27	9.5	35	750			20.6	170
1N4751AM	1N4751AM	30	8.5	40	1000			22.8	150
1N4752AM	1N4752AM	33	7.5	45	1000			25.1	135
1N4753AM	1N4753AM	36	7	50	1000			27.4	125
1N4754AM	1N4754AM	39	6.5	60	1000			29.7	115
1N4755AM	1N4755AM	43	6	70	1500			32.7	110
1N4756AM	1N4756AM	47	5.5	80	1500			35.8	95
1N4757AM	1N4757AM	51	5	95	1500			38.8	90
1N4758AM	1N4758AM	56	4.5	110	2000			42.6	80
1N4759AM	1N4759AM	62	4	125	2000			47.1	70
1N4760AM	1N4760AM	68	3.7	150	2000			51.7	65
1N4761AM	1N4761AM	75	3.3	175	2000			56	60
1N4762AM	1N4762AM	82	3	200	3000			62.2	55
1N4763AM	1N4763AM	91	2.8	250	3000			69.2	50
1N4764AM	1N4764AM	100	2.5	350	3000			76	45

Vz tolerance : ±5%

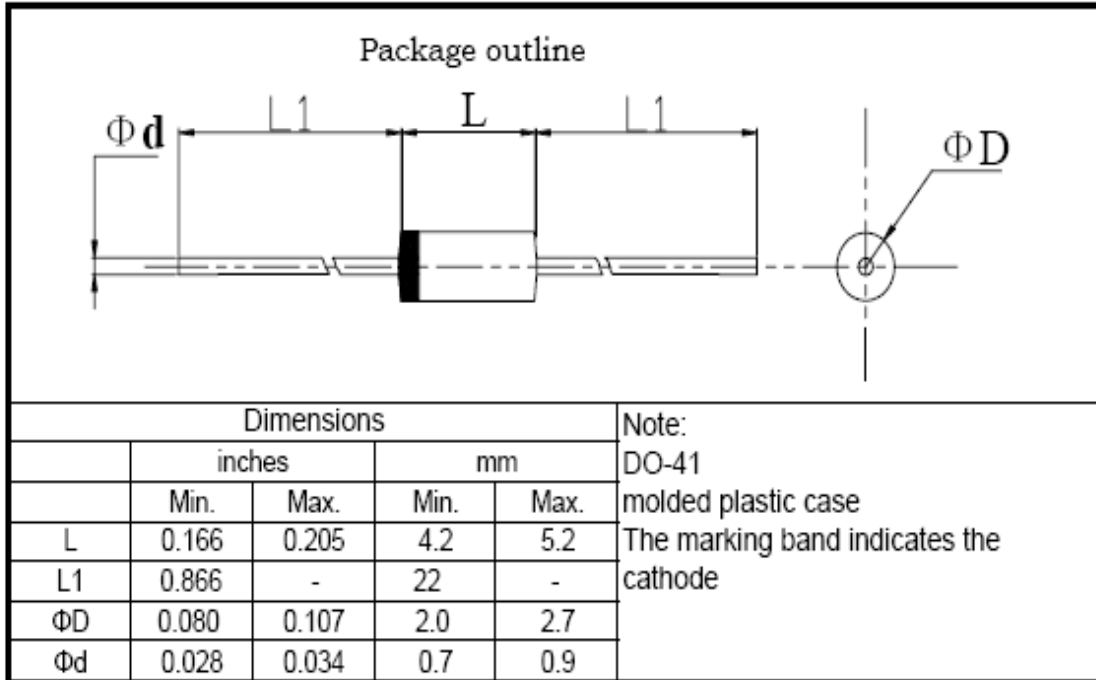
1W 1N47**AM Series Zener Diodes

2.Characteristic Curves



1W 1N47**AM Series Zener Diodes

3.Package Dimensions in inches and (millimeters)

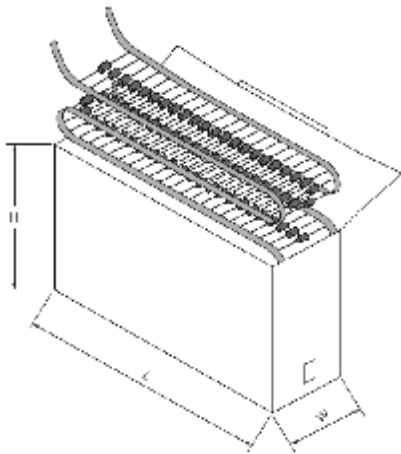


标题:	文件编号: WI-250
	第 4 版 第 0 次修改
	第 1 页

塑封生产线轴向产品包装规范

1 弹带盒装 ammo and box

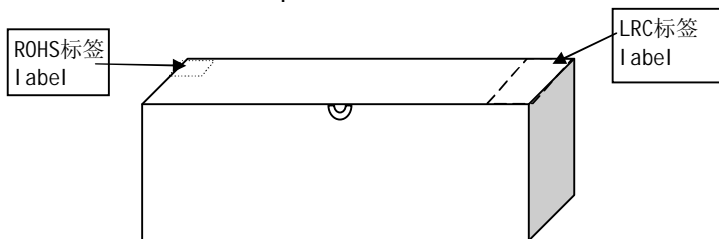
1.1. 弹带盒规格 ammo spec.



单位: mm

	L	W	H
T52	262±2	76±2	90±2
T42	262±2	64±2	90±2
T26	250±3	45±3	95±3

1.2 弹带内盒要求 inner box spec.



标题: 塑封生产线轴向产品包装规范	文件编号: WI-250
	第 4 版 第 0 次修改
	第 2 页

1.4 标签要求 label spec.

1.4.1 LRC标签 LRC label

成型 FORMING ***** ← 成型规格forming spec.

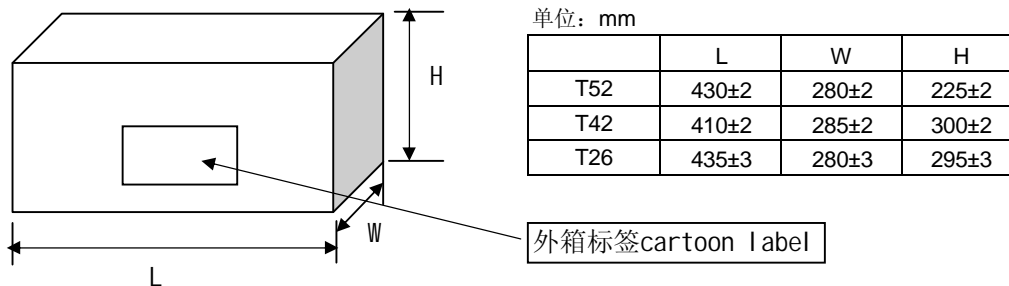
型号 TYPE ***** ← LRC产品型号 type

重复峰压 (V) PRV (V)	****	← 产品重复峰压值 peak repetitive voltage
额定电流 (A) I _o (A)	**	← 产品额定电流值 average output current
数量 (只) QTY (pcs)	****	← 产品数量 quantity
检验员 CHECKER	02	
日期: DATE:	*****	← 产品生产日期 date

1.4.2环保标签 environmental protection label



2.外箱规格 carton spec.

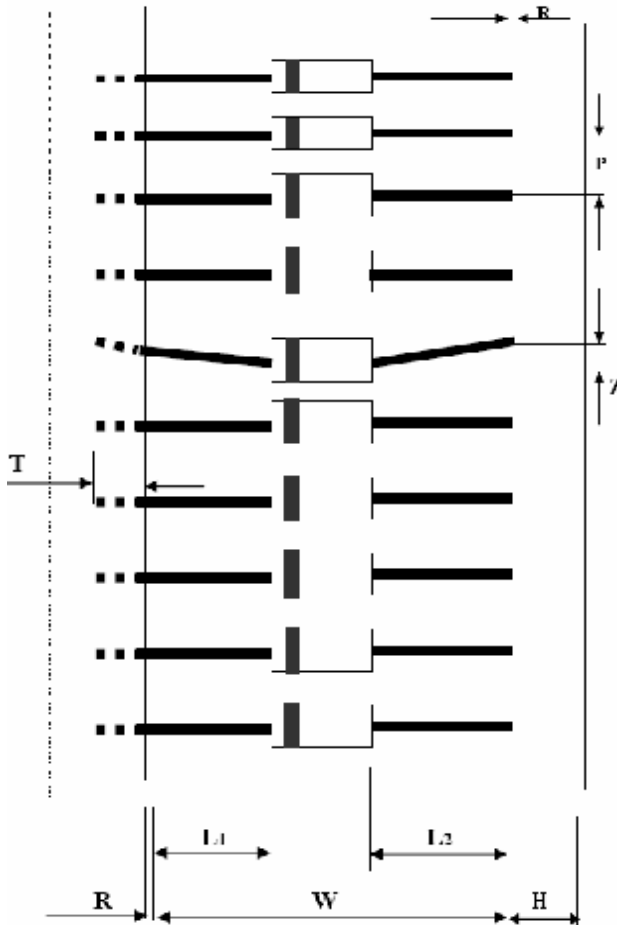


3 按以上包装方式, 编带数量和外包装箱产品数量: typing and carton spec.

	塑封外型			
	A-405 & DO-41 & R-1	R-3	DO-15	DO-201AD
每根编带数量 quantity/ammo	3K	1.8K	2K(T52) 1.8K(T26)	0.8K
外箱数量 (T52编带) quantity/cartoon	30K	18K	20K	8.0K
外箱数量 (T26编带) quantity/cartoon	60K	36K	36K	-
外箱数量 (T42编带) quantity/cartoon	54K	32.4K	36K	-

标题:	塑封生产线轴向产品包装规范	文件编号: WI-250
		第 4 版 第 0 次修改
		第 3 页

4 编带规格 brede spec



尺寸代号	编带尺寸 typing dimension					
	26/tape	35/tape	40/tape	42/tape	52/tape	52/tape#
W	26 0.0/+1.6	35 -1.0/+0.5	40 -1.0/+0.5	42 -1.0/+1.0	52 -1.0/+2.0	52 -1.0/+2.0
P	5±0.5	5±0.5	5±0.5	5±0.5	5±0.5	10±0.5
L1-L2	<1.0	<1.0	<1.0	<1.0	<1.0	<1.0
H	6±1.0	6±1.0	6±1.0	6±1.0	6±1.0	6±1.0
Z	<1.0	<1.0	<1.0	<1.0	<1.0	<1.0
R	<1.0	<1.0	<1.0	<1.0	<1.0	<1.0
T	>3.5	>3.5	>3.5	>3.5	>3.5	>3.5

注: 52编带# 为DO-201AD编带规格 "52编带#" just for D0-201AD

1. 红白编带厚度为0.05mm; 两种胶带各自之间无明显色差; 编带要求均为胶带。
The typing thickness is 0.05mm and color is obvious difference
2. 两端引带20~40cm. Typing lead over 20~40cm
3. 红色编带一端为二极管“负极”; 白色编带一端为二极管“正极”。
red color is cathode ,white color is anode
4. 无卤 green epoxy compound (无卤产品才贴HF only)

Green

1W 1N47**AM Series Zener Diodes

4. Update Record

版次	更新记录	更新作者	更新日期
1	第一版	周杰	2010.08.10
2	增加1N4751AM	周杰	2010.09.13
3	增加1N47**AM系列	周杰	2011.04.25
4	去掉6.8V以下型号	周杰	2011.08.15