

Varistor Type MYG

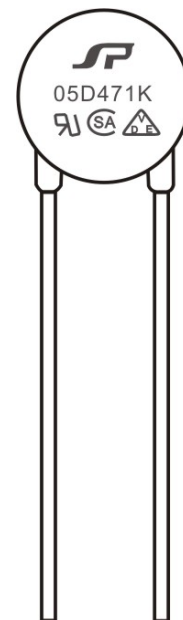
Type MYG Varistors are made of semiconductor ceramic materials composed mainly of zinc oxide. They have non-linear resistance that changes as a function of applied voltage. It has small size, high current capacity, and high protection level.

Features

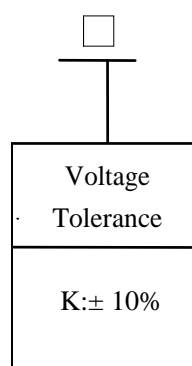
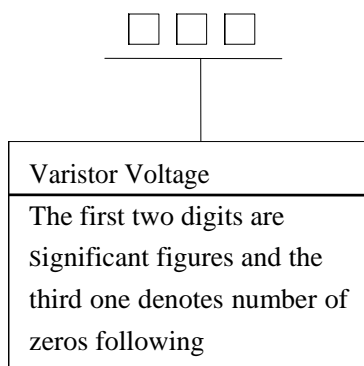
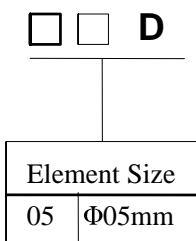
- > Wide Varistor voltage range (18V~750V)
- > Excellent non-linearity and protection level
- > Large withstanding surge current
- > Fast response ($\leq 20\text{ns}$)

Recommended Applications

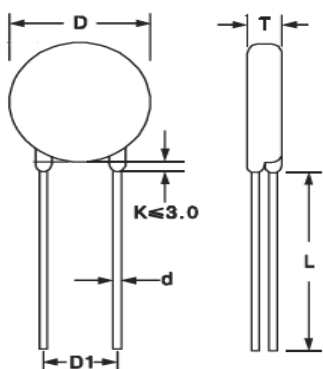
- > Protection of semiconductors
- > Surge protection of consumer equipment
- > Surge protection of communication, measuring or controller instrument
- > Relay or electromagnetic Valve surge absorption



Explanation of Part Numbers



Dimension



Range of voltage (V)	Dimensions(mm)				
	D max	T max	L min	d±0.1	D1± 1.0
18 - 68	7.5	3.5	25	0.6	5.0
81 - 750	7.5	4.1~6.2	20	0.6	5.0

Specification and Electrical Characteristics

Part Number	Maximum Allowable Voltage		Maximum Energy	Withstanding Surge Current 8/20 μ s		Rated Wattage	Varistor Voltage	Maximum Clamping Voltage
	Acrms (V)	DC (V)	10/100 μ S (J)	1 time	2times		$V_{0.1mA}$ (V)	V_{5A} (V)
				(A)		(W)		
05D751K	460	615	22.4	400	200	0.1	750(675-825)	1240
05D681K	420	560	21.0				680(612-748)	1120
05D621K	385	505	21.0				620(558-682)	1025
05D561K	350	460	19.6				560(504-616)	920
05D511K	320	415	19.6				510(459-561)	845
*05D471K	300	385	18.2				470(423-517)	775
05D431K	275	350	16.8				430(387-473)	710
05D391K	250	320	15.4				390(351-249)	650
05D361K	230	300	14.0				360(324-396)	595
05D331K	210	275	14.0				330(297-363)	550
05D301K	190	250	11.8				300(270-330)	505
*05D271K	175	225	10.2				270(243-297)	455
05D241K	150	200	9.9				240(216-264)	395
05D221K	140	180	8.8				220(198-242)	360
05D201K	130	170	7.7				200(180-220)	330
05D181K	115	150	5.6				180(162-198)	300
05D151K	95	125	4.2				150(135-165)	250
05D121K	75	100	4.2				120(108-132)	200
05D101K	60	85	2.8				100(90-110)	165
*05D820K	50	65	2.8				82(74-90)	135
05D680K	40	56	1.8	100	50	0.01	68(61-75)	*135
05D560K	35	45	1.5				56(50-62)	*110
*05D470K	30	38	1.4				47(42-52)	*93
05D390K	25	31	1.1				39(35-43)	*77
05D330K	20	26	0.8				33(30-36)	*65
05D270K	17	22	0.7				27(24-30)	*53
05D220K	14	18	0.6				22(20-24)	*43
05D180K	11	14	0.4				18(15-21)	*38

Note: 1、* Stand for commonly used models

2、Varistor voltage is measured at 0.1 mA for 05D, and at 1 mA for 07D, 10D, 14D, 20D, respectively.

3、Operating Temperature Range: $-40^{\circ}\text{C}\sim+85^{\circ}\text{C}$
 Storage Temperature Range: $-40^{\circ}\text{C}\sim+125^{\circ}\text{C}$