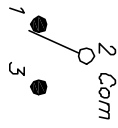


RECOMMENDED PCB LAYOUT  
SCALE 2:1



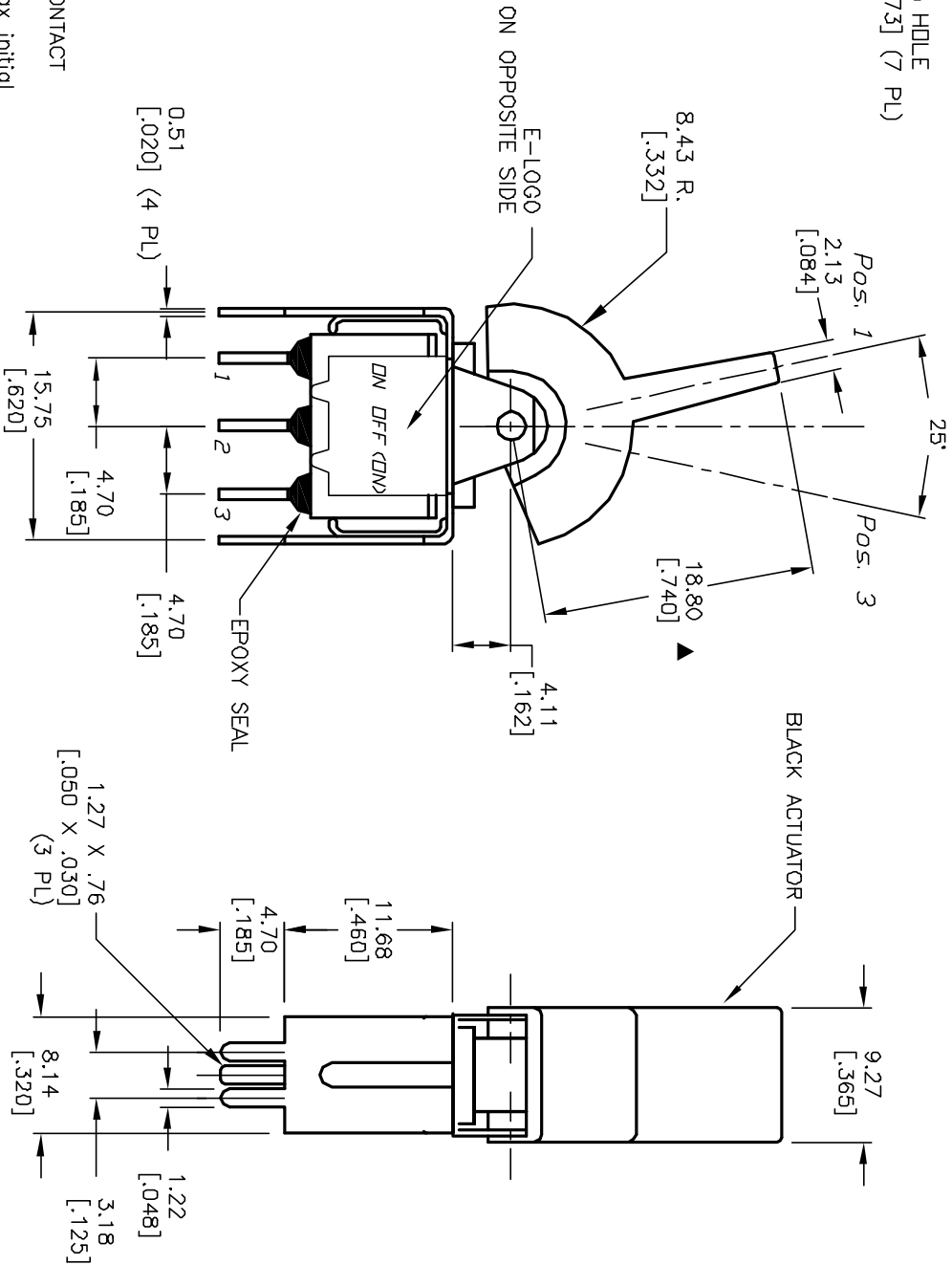
CIRCUIT: SPST

SWITCH FUNCTION		
POS. 1	POS. 2	POS. 3
DN	DFF	<DN>
2-3	DPEN	2-1

NOTES:

1. ALL DIMENSIONS IN MM [INCH]
2. GENERAL TOLERANCE: X.X=±0.4  
X.XX=±0.25
3. TERM. NOS. FOR REF. ONLY
4. RATING: 5A @120VAC OR 28VDC  
2A @250VAC
5. MATERIAL: FIXED TERMINAL & MOVING CONTACT  
Copper Alloy w/Silver Plate
6. CONTACT RESISTANCE: 10mILLI Ohms max initial  
@2-4VDC, 100mA for AG & AU
7. ELECTRICAL LIFE: 50,000 make-and-break  
cycles at full load.
8. INSULATION RESISTANCE: 1,000M ohm min.
9. DIELECTRIC STRENGTH: 1000V RMS @seo level
10. OPERATING TEMP.: -30°C to 85°C
11. ▲DENOTES CRITICAL PARAMETER.

( ) =Momentary



REV.	ECN No.	DESCRIPTION	DATE	CHKD	AR
A	13105	RELEASED FOR PRODUCTION	5/5/03		AR

THE INFORMATION CONTAINED IN THIS DOCUMENT IS PROPRIETARY TO E-SWITCH AND IS NOT TO BE COPIED OR TRANSFERRED

TITLE	SCALE	DATE	DR	DWG	REV
300SP5J2BLKVS2QE	2:1	5/5/03	AR	T315002	A

**E-SWITCH®**