

1 mm Pitch BOARD to BOARD Connector



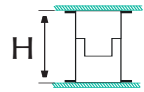
Female



Male

Stacking height:

- H = 8.0 mm
- H = 9.0 mm
- H = 10.0 mm
- H = 11.0 mm
- H = 12.0 mm
- H = 13.0 mm
- H = 14.0 mm
- H = 15.0 mm



ORDERING INFORMATION

Nota: photos are not full scale

C	C	10L	-	64	SA	V	-	1	G	R	0
		PIN NUMBER		S* : Female		Vertical		Gold		Reel	
		64 to 84		P* : Male		CMS		None		0: without peg None: with peg	

Female	Male	Height
SA	PA	8
SA	PB	9
SB	PA	10
SC	PA	11
SC	PB	12
SD	PA	13
SD	PB	14
SD	PC	15

MATERIAL and FINISH

Insulator: High temperature plastic – UL94V-O

Contact: Phosphor bronze

Plating: Gold

SPECIFICATIONS

Current rating: 0.5 A per contact

Voltage rating: 100 V AC/DC

Dielectric withstanding voltage: 500 V AC

Insulation resistance: 1000 M Ω Min

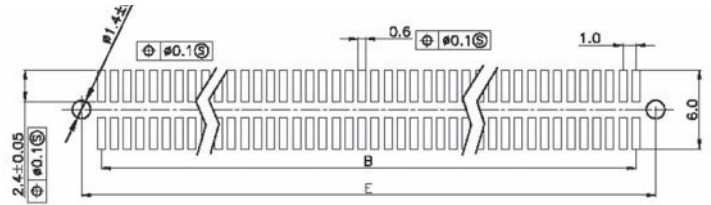
Contact resistance: 40m Ω Max

Temperature range: -40°C to +105°C

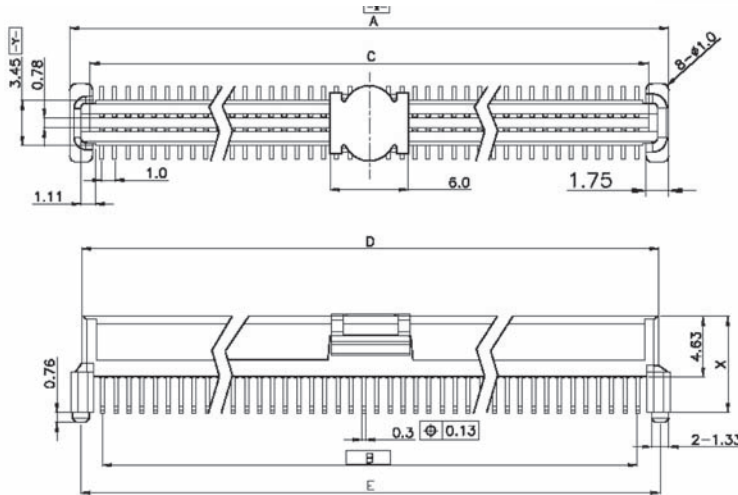
Female

Dimension

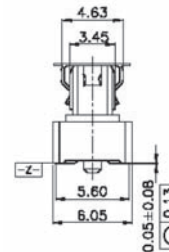
A	$1.0 \times (\text{No. of Positions}/2) + 3.9$
B	$1.0 \times (\text{No. of Positions}/2) - 1.0$
C	$1.0 \times (\text{No. of Positions}/2) + 0.8$
D	$1.0 \times (\text{No. of Positions}/2) + 2.22$
E	$1.0 \times (\text{No. of Positions}/2) + 2.4$



PCB Layout



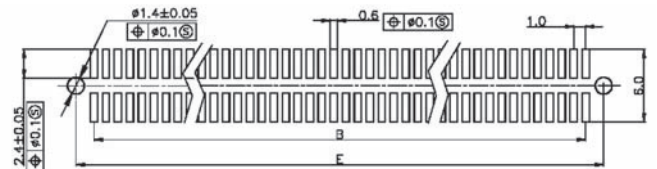
S*	X
SA	5,37
SB	7,37
SC	8,37
SD	10,37



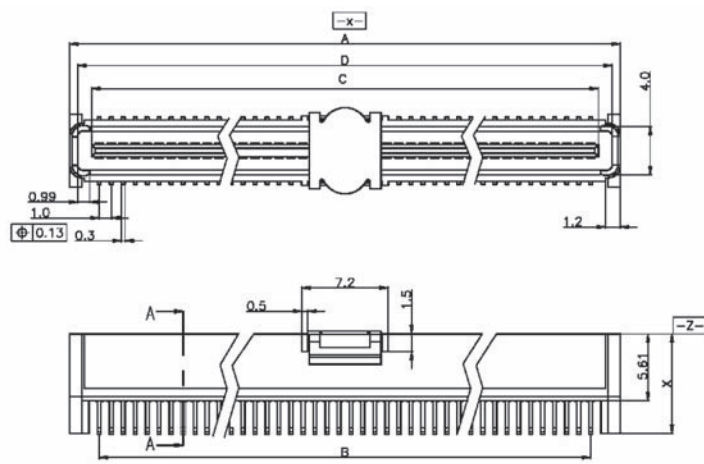
Male

Dimension

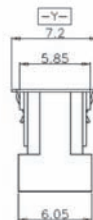
A	$1.0 \times (\text{No. of Positions}/2) + 3.9$
B	$1.0 \times (\text{No. of Positions}/2) - 1.0$
C	$1.0 \times (\text{No. of Positions}/2) + 0.3$
D	$1.0 \times (\text{No. of Positions}/2) + 2.58$
E	$1.0 \times (\text{No. of Positions}/2) + 2.4$



PCB Layout



P*	X
PA	6,35
PB	7,35
PC	8,35



Unit: mm