

A FEATURES

- Molded Metal Construction with ultra low DCR
- Magnetically shielded
- Low profile ready (1.0mm~)
- High current capability (~110A)
- No acoustic noise and no leakage field
- Operating Temperature range from -40°C to +125°C (Including Self-heating)



B PART NUMBER SYSTEM

1MT 1350 - 2R2 M F
 ① ② ③ ④ ⑤

①	Series
1MT	Series Code
③	Inductance Code
e.g.	Calculation
2R2	2.2μH
101	10×10 ¹ μH = 100μH

②	Dimension Code (L*W*H) (mm)		
	201210 (2.0×1.25×1.0)	201610 (2.0×1.6×1.0)	201612 (2.0×1.6×1.2)
	252010 (2.5×2.0×1.0)	252012 (2.5×2.0×1.2)	322510 (3.2×2.5×1.0)
	322512 (3.2×2.5×1.2)	0412 (4.0×4.0×1.2)	0420 (4.0×4.0×2.0)
	0518 (5.4×5.4×1.8)	0520 (5.4×5.4×2.0)	0530 (5.4×5.4×3.0)
	0715 (6.6×7.3×1.5)	0718 (6.6×7.3×1.8)	0724 (6.6×7.3×2.4)
	0730 (6.6×7.3×3.0)	0750 (6.6×7.3×5.0)	1030 (10.1×11.5×3.0)
	1040 (10.1×11.5×4.0)	1330 (12.6×13.8×3.0)	1350 (12.6×13.8×5.0)
	1360 (12.6×13.8×6.0)	1365 (12.6×13.8×6.5)	

⑤	RoHS Compliant	④	Inductance Tolerance
		M	±20%

C DRAWINGS AND DIMENSIONS

Drawing Fig. A	Schematic
<p style="text-align: center;">Land Pattern</p>	
Drawing Fig. B	
<p style="text-align: center;">Land Pattern</p>	

Case Size	Dimensions								Drawing Fig.
	A	B	C _{max}	D	E	I _{ref.}	J _{ref.}	H _{ref.}	
1MT201210	2.0±0.2	1.25±0.2	1.0	0.5±0.3	/	2.0	0.9	1.2	A
1MT201610	2.0±0.2	1.6±0.2	1.0	0.5±0.3	/	2.0	0.9	1.6	A
1MT201612	2.0±0.2	1.6±0.2	1.2	0.5±0.3	/	2.0	0.9	1.6	A
1MT252010	2.5±0.2	2.0±0.2	1.0	0.6±0.2	/	2.8	1.2	2.0	A
1MT252012	2.5±0.2	2.0±0.2	1.2	0.6±0.2	/	2.8	1.2	2.0	A
1MT322510	3.2±0.2	2.5±0.2	1.0	0.6±0.2	/	3.2	1.7	2.5	A
1MT322512	3.2±0.2	2.5±0.2	1.2	0.6±0.2	/	3.2	1.7	2.5	A
1MT0412	4.0±0.3	4.5 Max	1.2	1.5±0.3	0.8±0.3	5.2	2.5	2.5	B
1MT0420	4.0±0.3	4.5 Max	2.0	1.5±0.3	0.8±0.3	5.2	2.5	2.5	B
1MT0518	5.4±0.3	5.4 Max	1.8	2.0±0.3	1.1±0.3	6.0	2.2	2.5	B
1MT0520	5.4±0.3	5.4 Max	2.0	2.0±0.3	1.1±0.3	6.0	2.2	2.5	B
1MT0530	5.4±0.3	5.4 Max	3.0	2.0±0.3	1.1±0.3	6.0	2.2	2.5	B
1MT0715	6.6±0.3	7.3 Max	1.5	3.0±0.3	1.6±0.3	8.4	3.7	3.5	B
1MT0718	6.6±0.3	7.3 Max	1.8	3.0±0.3	1.6±0.3	8.4	3.7	3.5	B
1MT0724	6.6±0.3	7.3 Max	2.4	3.0±0.3	1.6±0.3	8.4	3.7	3.5	B
1MT0730	6.6±0.3	7.3 Max	3.0	3.0±0.3	1.6±0.3	8.4	3.7	3.5	B
1MT0750	6.6±0.3	7.3 Max	5.0	3.0±0.3	1.6±0.3	8.4	3.7	3.5	B
1MT1030	10.1±0.3	11.5 Max	3.0	3.0±0.3	2.0±0.3	13.6	5.4	4.1	B
1MT1040	10.1±0.3	11.5 Max	4.0	3.0±0.3	2.0±0.3	13.6	5.4	4.1	B
1MT1330	12.6±0.3	13.8 Max	3.0	4.0±0.3	2.0±0.3	14.5	8.0	5.0	B
1MT1350	12.6±0.3	13.8 Max	5.0	4.0±0.3	2.0±0.3	14.5	8.0	5.0	B
1MT1360	12.6±0.3	13.8 Max	6.0	4.0±0.3	2.0±0.3	14.5	8.0	5.0	B
1MT1365	12.6±0.3	13.8 Max	6.5	4.0±0.3	2.0±0.3	14.5	8.0	5.0	B

D SPECIFICATIONS

Part Number	Inductance ¹		DCR ²		I _{rms} ³ (A)	I _{sat} ⁴ (A)
	μH	Tolerance	Typ.(mΩ)	Max.(mΩ)		
1MT201210-R33MF	0.33	±20%	58.0	75.0	3.0	3.6
1MT201210-R47MF	0.47	±20%	61.0	80.0	2.8	3.2
1MT201210-R68MF	0.68	±20%	82.0	105.0	2.5	3.0
1MT201210-1R0MF	1.0	±20%	137.0	155.0	2.0	2.0
1MT201610-R24MF	0.24	±20%	28.0	40.0	4.5	4.2
1MT201610-R33MF	0.33	±20%	40.0	48.0	3.8	4.0
1MT201610-R47MF	0.47	±20%	44.0	54.0	3.6	3.2
1MT201610-R56MF	0.56	±20%	46.0	59.0	3.3	2.8
1MT201610-R68MF	0.68	±20%	55.0	72.0	3.0	2.7
1MT201610-1R0MF	1.0	±20%	81.0	96.0	2.3	2.2
1MT201610-1R5MF	1.5	±20%	122.0	150.0	2.0	2.1
1MT201610-2R2MF	2.2	±20%	170.0	204.0	1.6	2.0
1MT201612-R24MF	0.24	±20%	25.0	35.0	4.8	5.5
1MT201612-R47MF	0.47	±20%	40.0	52.0	3.8	3.8
1MT201612-R68MF	0.68	±20%	53.0	70.0	3.2	3.3
1MT201612-1R0MF	1.0	±20%	67.0	82.0	2.7	3.1
1MT201612-1R5MF	1.5	±20%	95.0	120.0	2.6	2.6
1MT201612-2R2MF	2.2	±20%	165.0	195.0	1.7	2.0
1MT252010-R24MF	0.24	±20%	24.0	40.0	5.0	7.5
1MT252010-R47MF	0.47	±20%	36.0	46.0	3.6	5.2
1MT252010-R68MF	0.68	±20%	49.0	65.0	3.3	3.8
1MT252010-1R0MF	1.0	±20%	60.0	78.0	3.0	3.4

Part Number	Inductance ¹		DCR ²			
	μH	Tolerance	Typ.(m Ω)	Max.(m Ω)	Irms ³ (A)	Isat ⁴ (A)
1MT252010-1R5MF	1.5	±20%	82.0	105.0	2.9	3.2
1MT252010-2R2MF	2.2	±20%	130.0	156.0	1.8	2.6
1MT252012-R33MF	0.33	±20%	27.0	35.0	4.6	6.8
1MT252012-R47MF	0.47	±20%	29.0	39.0	4.4	6.2
1MT252012-R68MF	0.68	±20%	40.0	46.0	3.7	5.5
1MT252012-1R0MF	1.0	±20%	45.0	59.0	3.5	4.0
1MT252012-1R5MF	1.5	±20%	62.0	70.0	2.7	3.4
1MT252012-2R2MF	2.2	±20%	102.0	115.0	2.3	3.3
1MT322510-R47MF	0.47	±20%	32.0	38.0	5.2	6.0
1MT322510-1R0MF	1.0	±20%	52.0	62.0	3.7	4.0
1MT322510-1R5MF	1.5	±20%	72.0	87.0	3.5	3.2
1MT322510-2R2MF	2.2	±20%	98.0	118.0	2.5	2.7
1MT322512-R47MF	0.47	±20%	21.0	31.0	5.3	6.0
1MT322512-1R0MF	1.0	±20%	39.0	45.0	3.8	4.8
1MT322512-2R2MF	2.2	±20%	70.0	84.0	3.0	3.2
1MT0412-R47MF	0.47	±20%	19.0	21.0	6.0	6.8
1MT0412-R68MF	0.68	±20%	32.0	36.0	4.5	6.0
1MT0412-1R0MF	1.0	±20%	43.0	47.0	4.2	5.2
1MT0412-1R5MF	1.5	±20%	68.0	75.0	3.2	4.0
1MT0412-2R2MF	2.2	±20%	80.0	84.0	2.7	3.5
1MT0412-4R7MF	4.7	±20%	175.0	195.0	1.8	2.8
1MT0420-R10MF	0.10	±20%	4.5	5.0	11.0	30.0
1MT0420-R22MF	0.22	±20%	7.3	8.0	9.0	17.0
1MT0420-R47MF	0.47	±20%	14.0	15.5	6.0	11.5
1MT0420-1R0MF	1.0	±20%	32.0	36.0	3.8	8.5
1MT0420-1R5MF	1.5	±20%	38.0	46.0	3.5	6.0
1MT0420-2R2MF	2.2	±20%	52.0	58.0	3.0	5.0
1MT0420-3R3MF	3.3	±20%	74.0	87.0	2.5	4.0
1MT0420-4R7MF	4.7	±20%	95.0	105.0	1.7	1.8
1MT0518-R56MF	0.56	±20%	8.0	10.0	9.5	15.0
1MT0518-1R0MF	1.0	±20%	15.0	17.0	8.0	9.0
1MT0518-1R2MF	1.2	±20%	17.0	20.0	7.5	8.0
1MT0518-2R2MF	2.2	±20%	30.0	35.0	5.0	6.5
1MT0518-3R3MF	3.3	±20%	52.0	58.0	4.5	5.0
1MT0518-4R7MF	4.7	±20%	78.0	85.0	3.5	4.0
1MT0518-6R8MF	6.8	±20%	107.0	120.0	2.8	3.4
1MT0518-100MF	10	±20%	140.0	155.0	2.5	3.0
1MT0520-R10MF	0.10	±20%	3.6	3.9	17.0	38.3
1MT0520-R22MF	0.22	±20%	4.9	5.2	15.0	28.7
1MT0520-R33MF	0.33	±20%	7.6	8.2	12.0	21.3
1MT0520-R47MF	0.47	±20%	8.1	8.8	11.5	17.9
1MT0520-R68MF	0.68	±20%	11.2	12.4	10.0	15.8
1MT0520-1R0MF	1.0	±20%	18.9	20.0	7.0	13.7
1MT0520-2R2MF	2.2	±20%	45.6	50.1	4.2	10.7
1MT0520-3R3MF	3.3	±20%	79.2	85.5	3.3	7.3
1MT0520-4R7MF	4.7	±20%	108.0	116.6	2.8	4.3
1MT0520-5R6MF	5.6	±20%	113.0	122.0	2.5	3.9
1MT0520-6R8MF	6.8	±20%	139.0	150.0	2.4	3.7
1MT0520-100MF	10	±20%	184.0	199.0	2.3	3.4
1MT0530-R68MF	0.68	±20%	11.0	12.0	8.5	14.0
1MT0530-1R0MF	1.0	±20%	13.0	14.0	7.0	11.0
1MT0530-1R2MF	1.2	±20%	15.0	16.0	6.5	11.0
1MT0530-1R5MF	1.5	±20%	20.0	25.0	6.0	10.0
1MT0530-2R2MF	2.2	±20%	29.0	35.0	5.5	9.0
1MT0530-3R3MF	3.3	±20%	32.0	38.0	5.0	7.0
1MT0530-4R7MF	4.7	±20%	50.0	60.0	3.0	5.0
1MT0715-R56MF	0.56	±20%	9.5	11.0	9.0	14.0

Part Number	Inductance ¹		DCR ²			
	μH	Tolerance	Typ.(m Ω)	Max.(m Ω)	I _{rms} ³ (A)	I _{sat} ⁴ (A)
1MT0715-R68MF	0.68	±20%	10.5	12.0	8.5	12.0
1MT0715-R82MF	0.82	±20%	15.0	17.0	7.0	10.0
1MT0715-1R0MF	1.0	±20%	18.5	21.0	5.5	9.0
1MT0715-2R2MF	2.2	±20%	46.0	54.0	3.5	6.0
1MT0715-3R3MF	3.3	±20%	54.0	63.0	3.3	5.5
1MT0715-4R7MF	4.7	±20%	76.0	85.0	3.2	5.0
1MT0715-6R8MF	6.8	±20%	125.0	135.0	2.5	4.0
1MT0715-100MF	10	±20%	165.0	175.0	2.0	3.0
1MT0718-R10MF	0.10	±20%	2.0	2.5	18.0	45.0
1MT0718-R33MF	0.33	±20%	5.2	6.8	12.0	22.0
1MT0718-R47MF	0.47	±20%	7.3	8.4	11.0	18.0
1MT0718-R68MF	0.68	±20%	11.0	12.7	9.0	17.0
1MT0718-1R0MF	1.0	±20%	15.0	17.0	7.0	14.0
1MT0718-2R2MF	2.2	±20%	30.0	35.0	6.0	13.0
1MT0718-3R3MF	3.3	±20%	56.0	60.0	3.5	10.0
1MT0718-4R7MF	4.7	±20%	68.0	70.0	3.5	5.0
1MT0718-6R8MF	6.8	±20%	100.0	110.0	2.8	3.5
1MT0724-R10MF	0.10	±20%	1.5	1.7	30.0	70.0
1MT0724-R22MF	0.22	±20%	2.6	3.2	21.0	34.0
1MT0724-R33MF	0.33	±20%	3.5	4.1	18.0	24.5
1MT0724-R47MF	0.47	±20%	4.5	5.1	15.0	22.0
1MT0724-R56MF	0.56	±20%	5.9	6.5	13.0	17.0
1MT0724-R82MF	0.82	±20%	8.3	9.5	11.0	14.0
1MT0724-1R0MF	1.0	±20%	11.2	13.5	9.0	16.0
1MT0724-1R5MF	1.5	±20%	17.0	20.0	9.0	15.0
1MT0724-2R2MF	2.2	±20%	23.0	28.0	7.0	14.0
1MT0724-3R3MF	3.3	±20%	31.0	39.0	5.5	13.0
1MT0724-4R7MF	4.7	±20%	41.0	50.0	5.0	10.0
1MT0724-5R6MF	5.6	±20%	51.0	60.0	5.0	6.5
1MT0724-6R8MF	6.8	±20%	57.0	70.0	4.0	6.0
1MT0724-100MF	10	±20%	92.0	101.0	3.1	4.0
1MT0730-R10MF	0.10	±20%	1.5	1.7	32.5	60.0
1MT0730-R22MF	0.22	±20%	2.5	2.8	23.0	40.0
1MT0730-R33MF	0.33	±20%	3.5	3.9	20.0	30.0
1MT0730-R47MF	0.47	±20%	4.0	4.2	17.5	26.0
1MT0730-R56MF	0.56	±20%	4.7	5.0	16.5	25.5
1MT0730-R68MF	0.68	±20%	5.0	5.5	15.5	25.0
1MT0730-R82MF	0.82	±20%	6.7	8.0	13.0	24.0
1MT0730-1R0MF	1.0	±20%	9.0	10.0	11.0	22.0
1MT0730-1R5MF	1.5	±20%	14.0	15.0	9.0	18.0
1MT0730-2R2MF	2.2	±20%	18.0	20.0	8.0	14.0
1MT0730-3R3MF	3.3	±20%	28.0	30.0	6.0	13.5
1MT0730-4R7MF	4.7	±20%	37.0	40.0	5.5	10.0
1MT0730-6R8MF	6.8	±20%	54.0	60.0	4.5	8.0
1MT0730-8R2MF	8.2	±20%	54.0	60.0	4.5	6.0
1MT0730-100MF	10	±20%	62.0	68.0	4.0	5.5
1MT0730-220MF	22	±20%	160.0	185.0	2.5	3.0
1MT0750-R36MF	0.36	±20%	3.2	3.5	21.0	25.0
1MT0750-R40MF	0.40	±20%	3.2	3.5	20.0	23.0
1MT0750-R56MF	0.56	±20%	3.4	3.6	20.0	18.0
1MT0750-R68MF	0.68	±20%	3.9	4.2	18.0	17.0
1MT0750-R82MF	0.82	±20%	4.6	4.9	16.5	16.0
1MT0750-1R0MF	1.0	±20%	5.6	6.5	13.0	15.0
1MT0750-1R2MF	1.2	±20%	6.0	7.5	12.0	13.0
1MT0750-1R5MF	1.5	±20%	6.0	7.5	11.0	12.0
1MT0750-2R2MF	2.2	±20%	11.2	12.5	8.0	12.0
1MT0750-3R3MF	3.3	±20%	19.9	20.9	7.0	9.0

Part Number	Inductance ¹		DCR ²		Irms ³ (A)	Isat ⁴ (A)
	μ H	Tolerance	Typ.(m Ω)	Max.(m Ω)		
1MT0750-4R7MF	4.7	$\pm 20\%$	23.0	25.0	6.5	7.0
1MT0750-8R2MF	8.2	$\pm 20\%$	40.0	43.0	5.5	5.5
1MT0750-100MF	10.0	$\pm 20\%$	48.0	55.0	4.5	3.3
1MT1030-R10MF	0.10	$\pm 20\%$	0.7	0.7	30.0	75.0
1MT1030-R33MF	0.33	$\pm 20\%$	1.3	1.6	23.0	32.0
1MT1030-R36MF	0.36	$\pm 20\%$	1.3	1.6	23.0	28.0
1MT1030-R47MF	0.47	$\pm 20\%$	2.1	2.5	23.0	26.0
1MT1030-R56MF	0.56	$\pm 20\%$	2.4	3.0	22.0	24.0
1MT1030-R68MF	0.68	$\pm 20\%$	2.9	3.4	21.0	23.0
1MT1030-1R0MF	1.0	$\pm 20\%$	5.3	6.0	15.0	21.0
1MT1030-1R5MF	1.5	$\pm 20\%$	6.5	7.5	13.5	20.0
1MT1030-2R2MF	2.2	$\pm 20\%$	8.0	9.0	13.0	16.0
1MT1030-3R3MF	3.3	$\pm 20\%$	14.5	16.0	9.0	14.0
1MT1030-4R7MF	4.7	$\pm 20\%$	20.5	22.5	7.0	13.0
1MT1030-8R2MF	8.2	$\pm 20\%$	35.0	45.0	5.0	8.5
1MT1030-100MF	10	$\pm 20\%$	50.0	55.0	5.0	7.5
1MT1030-150MF	15	$\pm 20\%$	59.0	65.0	4.0	6.0
1MT1040-R22MF	0.22	$\pm 20\%$	0.7	0.8	38.0	60.0
1MT1040-R36MF	0.36	$\pm 20\%$	1.1	1.3	30.0	60.0
1MT1040-R39MF	0.39	$\pm 20\%$	1.1	1.3	30.0	60.0
1MT1040-R47MF	0.47	$\pm 20\%$	1.6	1.8	26.0	40.0
1MT1040-R56MF	0.56	$\pm 20\%$	1.6	1.8	26.0	40.0
1MT1040-R68MF	0.68	$\pm 20\%$	2.4	2.7	22.0	39.0
1MT1040-R82MF	0.82	$\pm 20\%$	2.7	3.0	20.0	38.0
1MT1040-1R0MF	1.0	$\pm 20\%$	3.0	3.3	18.0	36.0
1MT1040-1R5MF	1.5	$\pm 20\%$	3.8	4.2	16.0	33.0
1MT1040-2R2MF	2.2	$\pm 20\%$	6.7	7.0	12.0	27.0
1MT1040-3R3MF	3.3	$\pm 20\%$	11.0	13.2	11.0	14.5
1MT1040-4R7MF	4.7	$\pm 20\%$	13.2	16.5	10.0	13.0
1MT1040-5R6MF	5.6	$\pm 20\%$	16.0	18.5	8.5	10.5
1MT1040-6R8MF	6.8	$\pm 20\%$	21.5	24.0	7.5	9.5
1MT1040-100MF	10	$\pm 20\%$	27.0	30.0	7.0	8.5
1MT1040-150MF	15	$\pm 20\%$	40.0	45.0	6.0	7.0
1MT1040-220MF	22	$\pm 20\%$	60.0	66.0	5.0	5.5
1MT1040-330MF	33	$\pm 20\%$	85.0	92.0	4.4	5.0
1MT1040-470MF	47	$\pm 20\%$	130.0	145.0	3.3	3.5
1MT1040-680MF	68	$\pm 20\%$	178.0	195.0	2.3	3.0
1MT1330-R22MF	0.22	$\pm 20\%$	1.1	1.3	38.0	65.0
1MT1330-R33MF	0.33	$\pm 20\%$	1.3	1.5	36.5	62.0
1MT1330-R39MF	0.39	$\pm 20\%$	1.5	1.7	34.5	57.0
1MT1330-R47MF	0.47	$\pm 20\%$	1.7	2.0	32.0	55.0
1MT1330-R56MF	0.56	$\pm 20\%$	1.8	2.2	29.0	51.0
1MT1330-R68MF	0.68	$\pm 20\%$	2.3	2.5	28.0	49.0
1MT1330-R82MF	0.82	$\pm 20\%$	2.6	3.0	25.0	44.0
1MT1330-1R0MF	1.0	$\pm 20\%$	3.3	3.5	24.0	40.0
1MT1330-1R5MF	1.5	$\pm 20\%$	5.1	5.5	19.0	35.0
1MT1330-2R2MF	2.2	$\pm 20\%$	7.2	8.0	16.0	29.0
1MT1330-3R3MF	3.3	$\pm 20\%$	10.0	12.0	12.0	27.0
1MT1330-4R7MF	4.7	$\pm 20\%$	16.0	18.0	9.0	22.0
1MT1350-R36MF	0.36	$\pm 20\%$	0.8	1.1	41.0	75.0
1MT1350-R47MF	0.47	$\pm 20\%$	1.1	1.3	38.0	65.0
1MT1350-R56MF	0.56	$\pm 20\%$	1.2	1.5	36.0	55.0
1MT1350-R68MF	0.68	$\pm 20\%$	1.5	1.7	34.0	54.0
1MT1350-R82MF	0.82	$\pm 20\%$	1.8	2.1	31.0	53.0
1MT1350-1R0MF	1.0	$\pm 20\%$	2.0	2.5	29.0	50.0
1MT1350-1R5MF	1.5	$\pm 20\%$	3.4	4.1	23.0	48.0
1MT1350-2R2MF	2.2	$\pm 20\%$	4.5	5.5	20.0	32.0

Part Number	Inductance ¹		DCR ²		Irms ³ (A)	Isat ⁴ (A)
	μH	Tolerance	Typ.(mΩ)	Max.(mΩ)		
1MT1350-3R3MF	3.3	±20%	7.8	9.2	15.0	32.0
1MT1350-4R7MF	4.7	±20%	13.0	15.0	12.0	27.0
1MT1350-5R6MF	5.6	±20%	14.0	16.5	11.5	22.0
1MT1350-6R8MF	6.8	±20%	15.5	18.5	11.0	21.0
1MT1360-120MF	12	±20%	20.0	23.0	7.0	10.0
1MT1360-150MF	15	±20%	25.0	29.0	6.0	9.0
1MT1360-180MF	18	±20%	30.0	35.0	5.0	8.0
1MT1360-220MF	22	±20%	34.0	40.0	5.0	7.5
1MT1360-270MF	27	±20%	40.0	53.0	4.5	6.5
1MT1360-330MF	33	±20%	45.0	60.0	4.5	6.0
1MT1360-390MF	39	±20%	50.0	65.0	4.0	5.0
1MT1360-121MF	120	±20%	210.0	235.0	2.3	3.2
1MT1360-151MF	150	±20%	300.0	350.0	2.0	2.7
1MT1365-R22MF	0.22	±20%	0.6	0.7	47.0	110.0
1MT1365-R33MF	0.33	±20%	0.8	0.9	41.0	65.0
1MT1365-R47MF	0.47	±20%	1.0	1.2	38.0	60.0
1MT1365-R56MF	0.56	±20%	1.2	1.4	35.0	60.0
1MT1365-R68MF	0.68	±20%	1.4	1.6	32.0	60.0
1MT1365-R82MF	0.82	±20%	1.6	1.9	30.0	50.0
1MT1365-1R0MF	1.0	±20%	1.7	2.0	28.0	49.0
1MT1365-1R5MF	1.5	±20%	2.5	3.0	25.0	45.0
1MT1365-2R2MF	2.2	±20%	3.5	4.2	20.0	40.0
1MT1365-3R3MF	3.3	±20%	5.7	6.8	15.0	35.0
1MT1365-4R7MF	4.7	±20%	8.0	8.7	13.0	30.0
1MT1365-5R6MF	6.0	±20%	9.3	10.0	12.0	26.0
1MT1365-6R8MF	6.8	±20%	13.1	14.0	10.0	17.0
1MT1365-8R2MF	8.2	±20%	14.5	15.5	9.5	16.0
1MT1365-100MF	10	±20%	15.8	16.8	9.0	15.0
1MT1365-120MF	12	±20%	19.5	22.0	8.0	14.0
1MT1365-150MF	15	±20%	40.0	43.0	5.5	12.0
1MT1365-180MF	18	±20%	40.0	43.0	5.5	12.0
1MT1365-220MF	22	±20%	42.0	45.0	5.5	8.0
1MT1365-270MF	27	±20%	48.0	53.0	5.0	7.0
1MT1365-330MF	33	±20%	54.0	60.0	5.0	6.0
1MT1365-390MF	39	±20%	60.0	65.0	4.5	5.0

1. Inductance measured @ 100KHz, 0.3V at 25°C temperature.

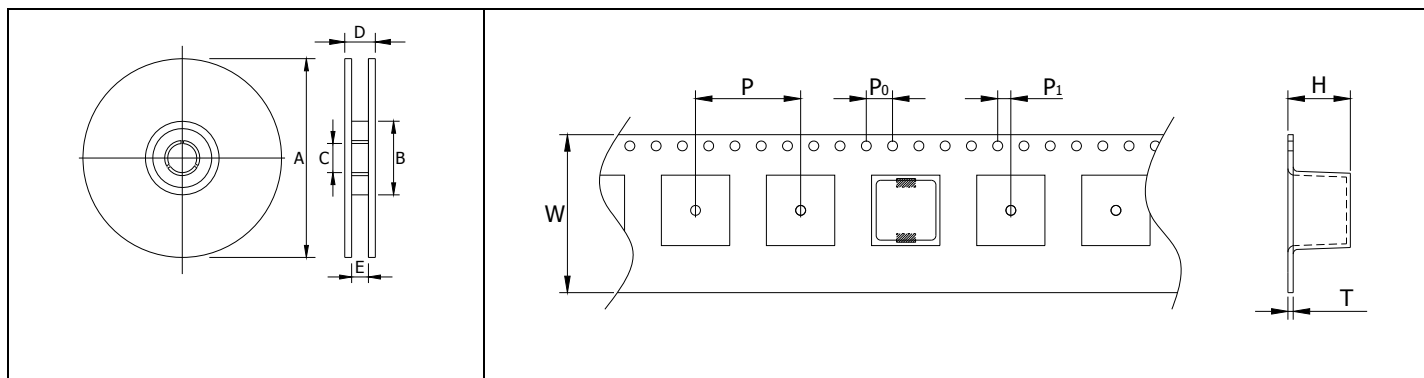
2. DCR measured @ 25°C.

3. Irms: DC current for an approximate 40°C rise from 20°C ambient temperature.

4. Isat: DC current for approximate 25% roll off at 25°C.

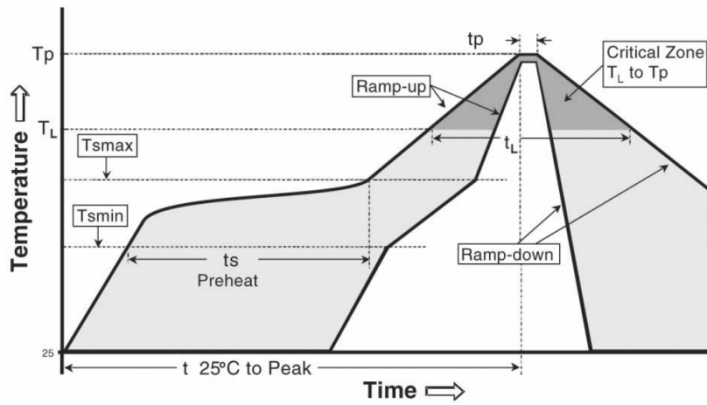
5. Specifications subject to change without notice please check our website for latest information.

E TAPE AND REEL SPECIFICATIONS



Case Size	Parts per Reel	Reel Dimensions(REF)					Tape Dimensions(REF)					
		A	B	C	D	E	W	P	P ₀	P ₁	H	T
1MT201210	3000	178	60	12	15	8.5	8	4	4	2	1.04	0.22
1MT201610	3000	178	60	12	15	8.5	8	4	4	2	1.15	0.25
1MT201612	3000	178	60	12	15	8.5	8	4	4	2	1.35	0.25
1MT252010	3000	178	60	12	15	8.5	8	4	4	2	1.15	0.25
1MT252012	3000	178	60	12	15	8.5	8	4	4	2	1.35	0.25
1MT322510	3000	178	60	12	15	8.5	8	4	4	2	1.55	0.22
1MT322512	3000	178	60	12	15	8.5	8	4	4	2	1.55	0.22
1MT0412	3000	330	100	13	19	12.4	12	8	4	2	1.6	0.3
1MT0420	1500	330	100	13	19	12.4	12	8	4	2	2.5	0.3
1MT0518	1500	330	100	13	23	16.4	16	12	4	2	2.5	0.3
1MT0520	1500	330	100	13	23	16.4	16	12	4	2	2.5	0.3
1MT0530	1500	330	100	13	23	16.4	16	12	4	2	3.5	0.3
1MT0715	2000	330	100	13	23	16.4	16	12	4	2	1.9	0.3
1MT0718	1500	330	100	13	23	16.4	16	12	4	2	2.3	0.3
1MT0724	1500	330	100	13	23	16.4	16	12	4	2	2.9	0.3
1MT0730	1500	330	100	13	23	16.4	16	12	4	2	3.3	0.3
1MT0750	1000	330	100	13	23	16.4	16	12	4	2	5.5	0.3
1MT1030	1000	330	100	13	31	24.5	24	16	4	2	3.5	0.3
1MT1040	800	330	100	13	31	24.5	24	16	4	2	4.5	0.3
1MT1330	750	330	100	13	31	24.5	24	16	4	2	4.0	0.3
1MT1350	400	330	100	13	31	24.5	24	16	4	2	5.5	0.3
1MT1360	500	330	100	13	31	24.5	24	16	4	2	6.5	0.3
1MT1365	500	330	100	13	31	24.5	24	16	4	2	7.0	0.3

F RECOMMENDED SOLDERING PROFILE



Profile Feature	Recommended Conditions
Average ramp-up rate (Tsmmax to Tp)	3°C/second max.
Preheat	
Temperature Min (Tsmmin)	100°C
Temperature Max (Tsmmax)	150°C
Time (Tsmmin to Tsmmax)(ts)	60-180 seconds
Time maintained above:	
Temperature (TL)	217°C
Time (ti)	60-150 seconds
Peak Temperature (Tp)	See Table2
Time within 5°C of actual Peak Temperature (tp) ²	20-40 seconds
Ramp-down Rate	6°C/second max.
Time 25°C to Peak Temperature	8 minutes max

Table 1

Package Thickness	Volume mm ³ <350	Volume mm ³ 350 - 2000	Volume mm ³ >2000
< 1.6mm	260°C	260°C	260°C
1.6mm - 2.5mm	260°C	250°C	245°C
>2.5mm	250°C	245°C	245°C

Table 2

1. The above profiles are based on IPC/JEDEC J-STD-020C.
2. Exceeding these conditions may cause lowered product reliability.