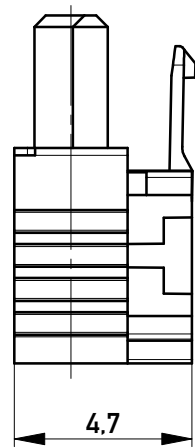
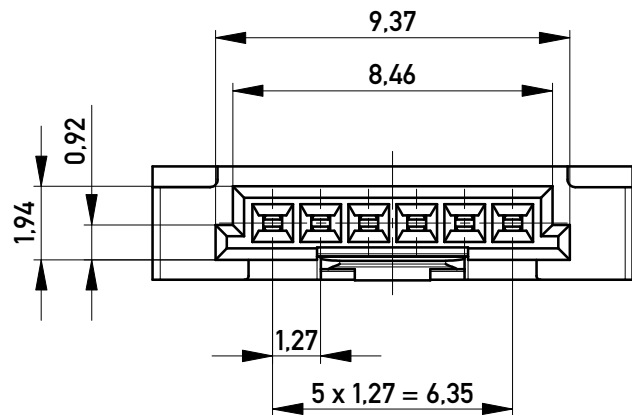
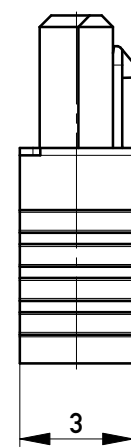


Kabelführung: rot
cable guide: red

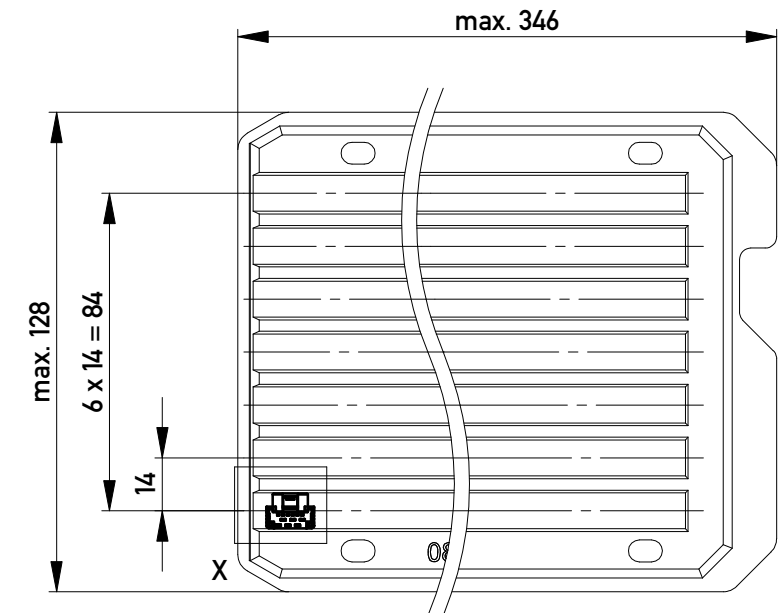


mit aufgesetzter
Kabelführung
(Anlieferungszustand)
with cable guide mounted
(state at time of supply)

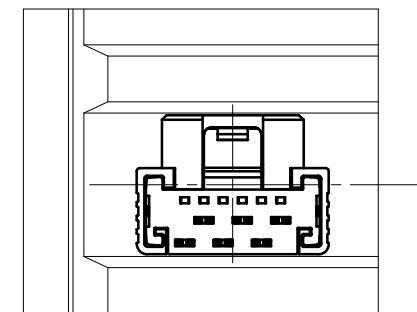


Kabelführung verpresst
(cable guide pressed on)

Verpackt in Tray - tray packaging
Verpackungseinheit 168 Stück - packaging unit 168 pcs



Einzelheit X - detail X
M 2:1



* Federkontakt AWG 24-26 - Female Contact AWG 24-26
Kabelführung $\varnothing 1,07$ - cable guide $\varnothing 1,07$

nur mit Hilfsmittel lösbar
only with tool unlockable

Information:		Tolerances		Scale	5:1
All rights reserved. Only for Information. To ensure that this is the latest version of this drawing, please contact one of the ERNI companies before using.		All Dimensions in mm		Designation	
Subject to modification without prior notice. Drawing will not be updated.				1,27 SRC A SKV, 6-polig 1,27 SRC A IDC, 6-pin	
b	21.01.2014	www.ERNI.com		100103380002	
Index	Date	Class		SRCA	
				K	A3