

**DBV-2 SERIES, 2WATT, REGULATED WITH 2:1 INPUT RANGE**

**FEATURES:**

- ✓ 3 years warranty
- ✓ 1500Vdc isolation voltage
- ✓ Wide (2:1) input voltage range
- ✓ Regulated isolated twin output models
- ✓ Operating temperature range -40°C to +85°C
- ✓ Continuous short circuit protection



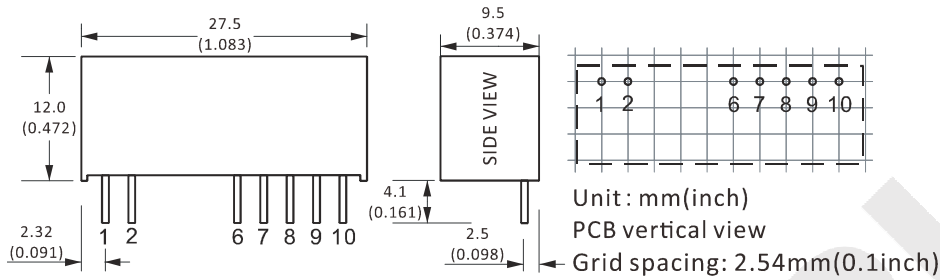
Model	Input voltage (Vdc)	Output voltage (Vdc)	Output current (mA)		Efficiency Typ.
			Min.	Max.	
DBV2-0501	5(4.5~9)	5, 5	20	200	80%
DBV2-0502		9, 9	11	110	80%
DBV2-0503		12, 12	8.0	80	80%
DBV2-0504		15, 15	6.6	66	80%
DBV2-0505		24, 24	4.2	42	80%
DBV2-1201	12(9~18)	5, 5	20	200	80%
DBV2-1202		9, 9	11	110	80%
DBV2-1203		12, 12	8.0	80	80%
DBV2-1204		15, 15	6.6	66	80%
DBV2-1205		24, 24	4.2	42	80%
DBV2-2401	24(18~36)	5, 5	20	200	80%
DBV2-2402		9, 9	11	110	80%
DBV2-2403		12, 12	8.0	80	80%
DBV2-2404		15, 15	6.6	66	80%
DBV2-2405		24, 24	4.2	42	80%

Notes: other input and output models may available on request.

**ELECTRICAL**

Line regulation	---	±0.2%
Load regulation	10% ~ 100% full load	±0.5%
Ripple and noise	---	100mVp-p max.
Isolation voltage	---	1500Vdc
Short circuit protection	---	Continuous short circuit protection
Operating temperature range	---	-40°C to +85°C
MTBF	---	35x10 <sup>5</sup> Hrs

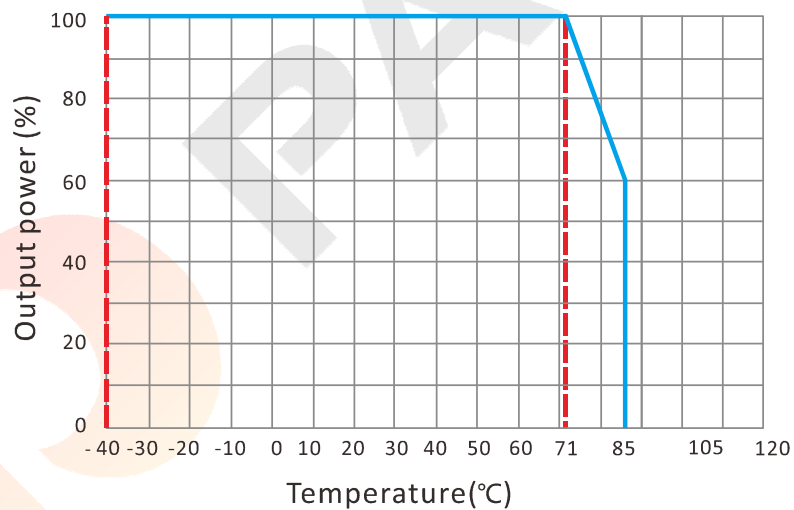
Notes: All the data in this article are under test with "TA+25°C, humidity<75%, rated input and rated load" mode.

**DBV-2 SERIES, 2WATT, REGULATED WITH 2:1 INPUT RANGE**
**MECHANICAL**

**CONNECTION**

PIN #	ISOLATED TWIN
1	GND
2	+Vin
6	+Vo1
7	-Vo1
8	CS
9	-Vo2
10	+Vo2

Note:

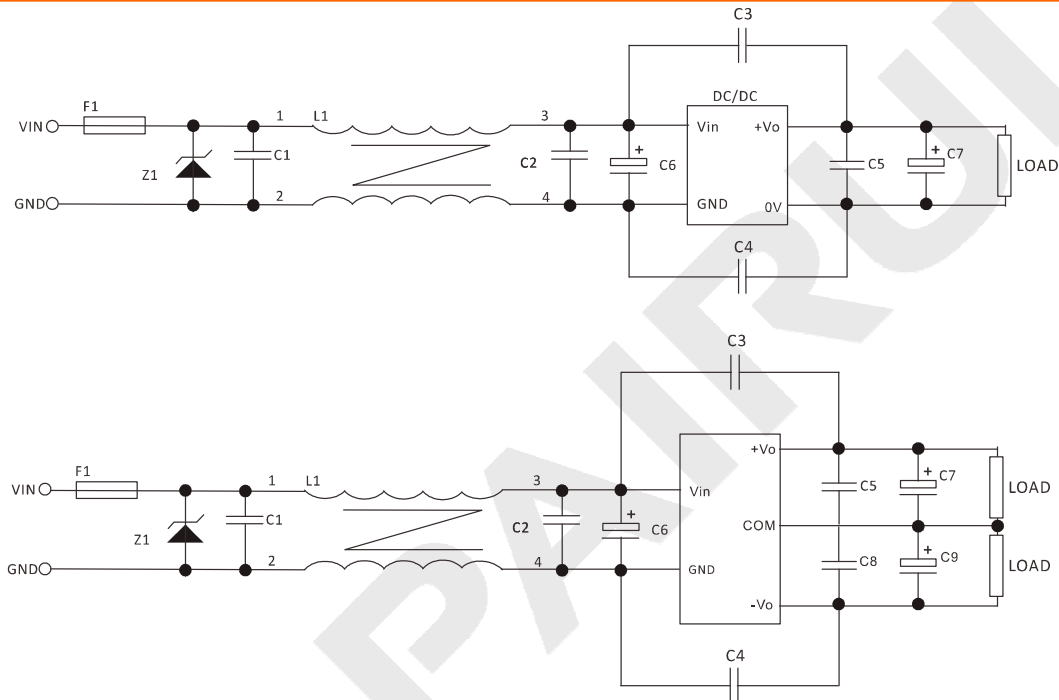
\* Unit is mm(inch).

**TEMPERATURE PROFILE**

**CAPACITIVE LOADS SELECTION**

Vin (Vdc)	Cin ( $\mu$ F)	Single Output Voltage (Vdc)	Cout ( $\mu$ F)	Dual Output Voltage (Vdc)	Cout ( $\mu$ F)
5	4.7-100	5	560	$\pm$ 5	270
12	4.7-100	9	470	$\pm$ 9	220
24	4.7-100	12	470	$\pm$ 12	220
-	-	15/24	330	$\pm$ 15/ $\pm$ 24	150/100

**DBV-2 SERIES, 2WATT, REGULATED WITH 2:1 INPUT RANGE**
**NOTES**
**RECOMMENDED TEST AND APPLICATION CIRCUIT**

In order to ensure the efficiency and dependability of the module, the minimum specified load must be less than 10% of rated load. If the output power is low, we recommend to add an external 10% loading resistor in parallel.



FUSE: depends on the actual input current;

TVS: depends on the actual input voltage;

Recommended capacitor: C1, C2, C5, C8, for C6, C7, C9, please check the capacitive load; C3, C4: 2KV/1nF.