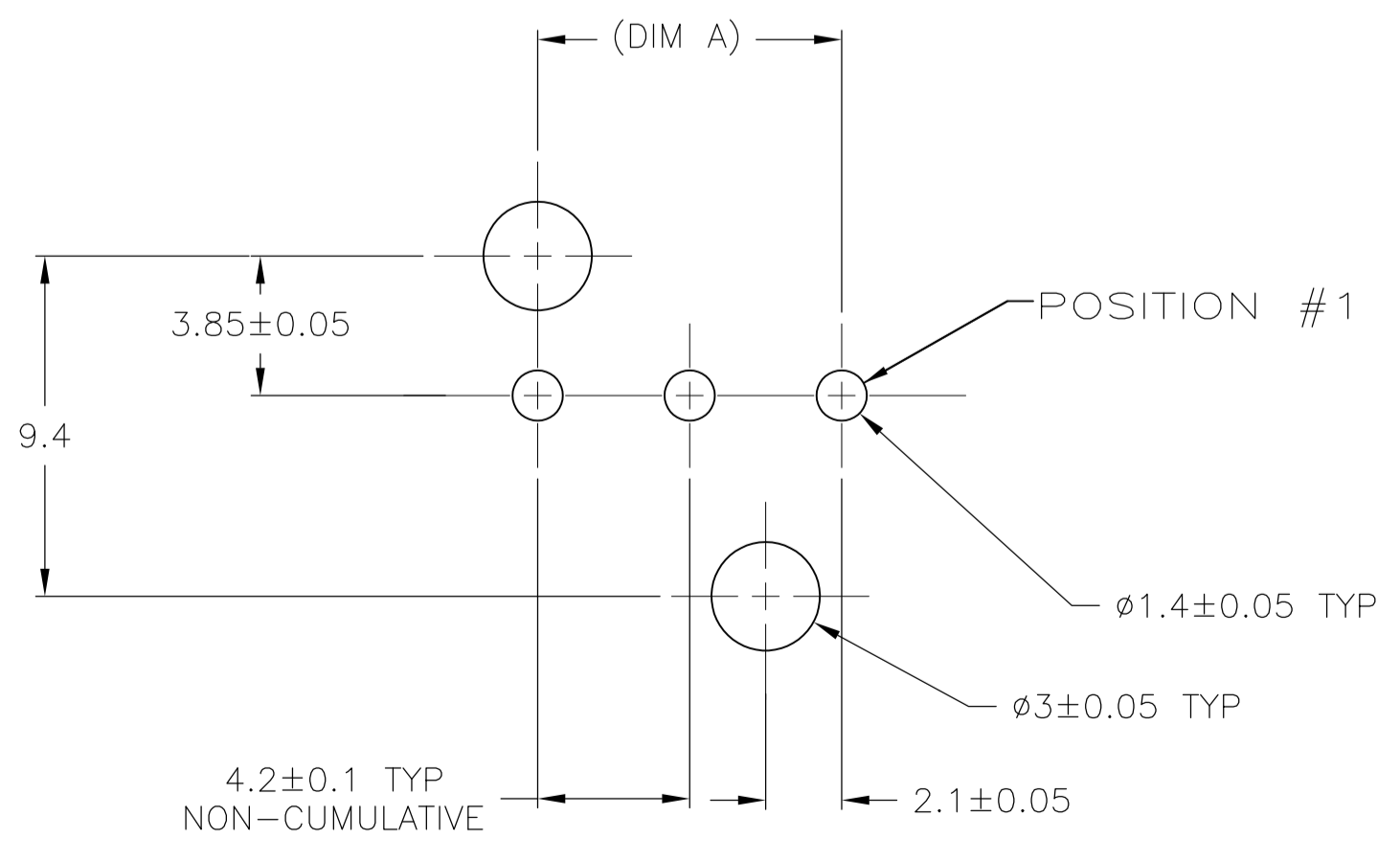
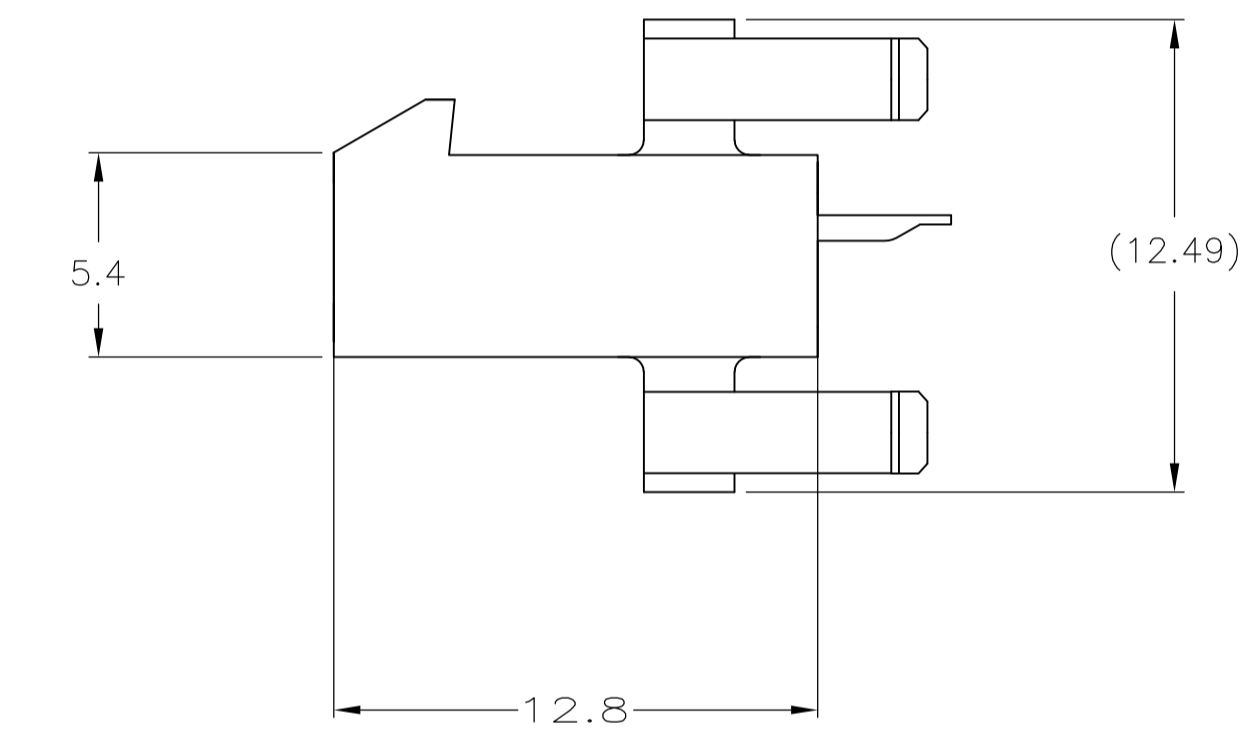
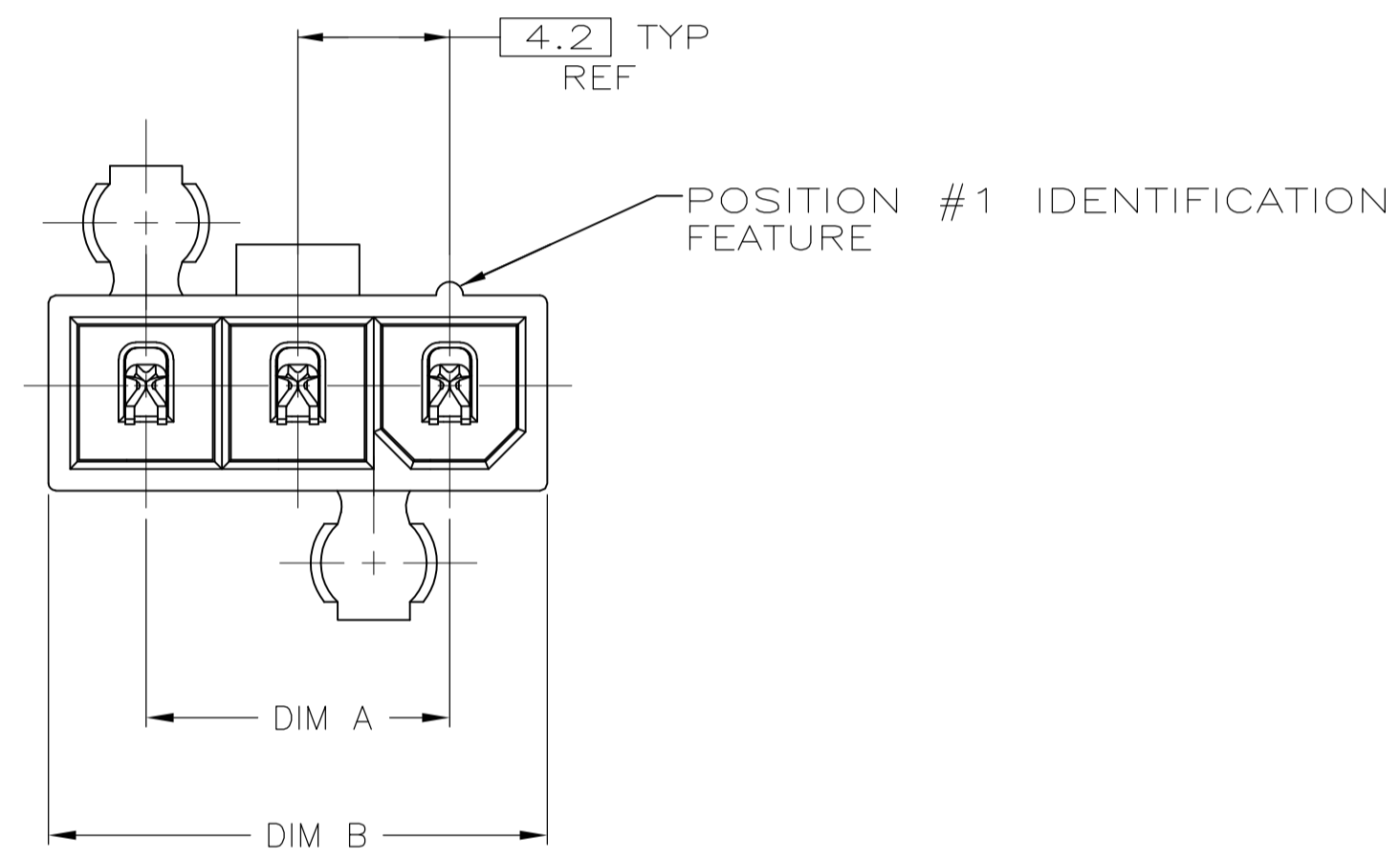
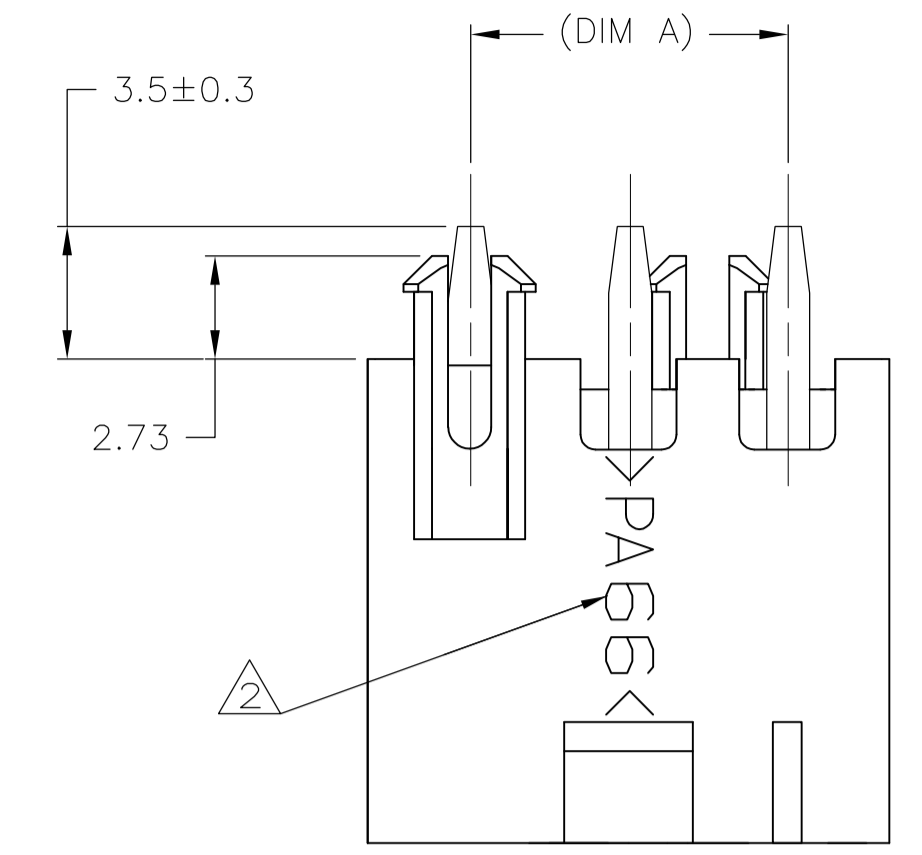
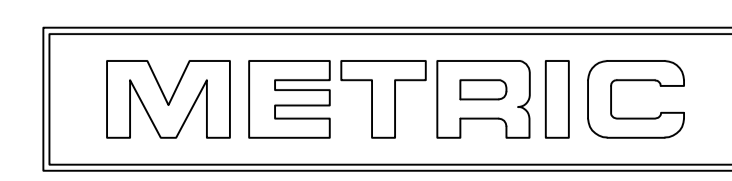


⚠ MATERIAL: HOUSING - NYLON, UL94V-2, NATURAL.
 CONTACTS - BRASS, TIN PLATED.
 ⚠ TYCO ELECTRONICS LOGO AND MATERIAL ID MAY BE LOCATED ON EITHER LONG SIDE OF PART.



22.2	16.8	5	2029058-5
18	12.6	4	2029058-4
13.8	8.4	3	2029058-3
DIM B	DIM A	NO. OF POSITIONS	PART NO

RECOMMENDED MOUNTING HOLE PATTERN FOR 1.78 MAX THICK P.C. BOARD COMPONENT SIDE SHOWN



THIS DRAWING IS A CONTROLLED DOCUMENT.		DIN K. WHITAKER 11JAN2008		Tyco Electronics Corporation Harrisburg, PA 17105-3608	
DIMENSIONS: mm		CHK C. CASH 11JAN2008		Tyco Electronics	
TOLERANCES UNLESS OTHERWISE SPECIFIED:		APVD C. CASH 11JAN2008		NAME	
0. PLC	± -	PRODUCT SPEC		PLUG ASSEMBLY, VERTICAL, SINGLE ROW, 94V-2, W/O DRAIN HOLES, VAL-U-LOK(TM)	
1. PLC	± 0.2	APPLICATION SPEC		SIZE	
2. PLC	± 0.13	WEIGHT		CAGE CODE DRAWING NO	
3. PLC	± -	CUSTOMER DRAWING		A1 00779 C=2029058	
4. PLC	± -	SCALE		SHEET 1 OF 1	
ANGLES	± 0°30'	RESTRICTED TO		REV A	