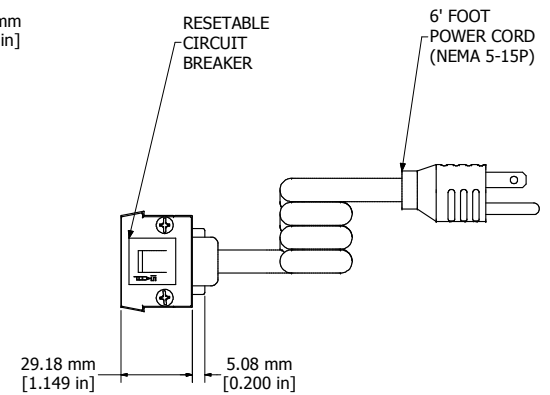
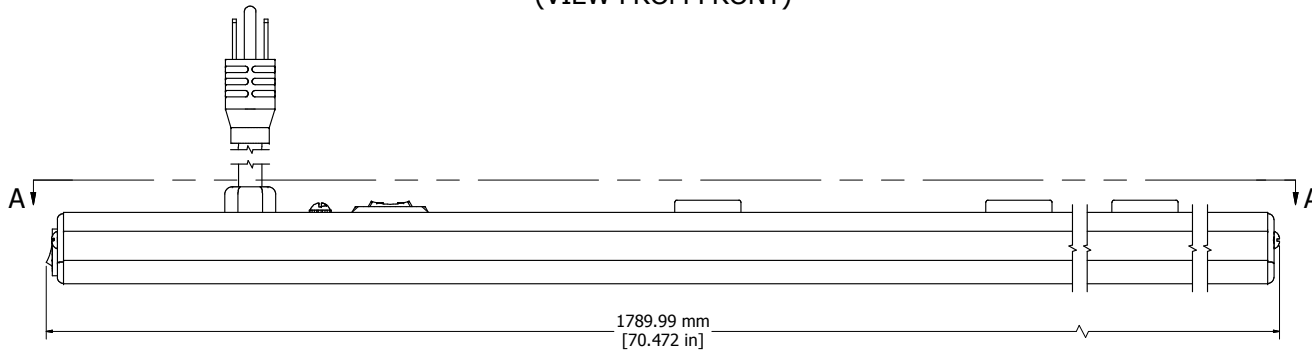


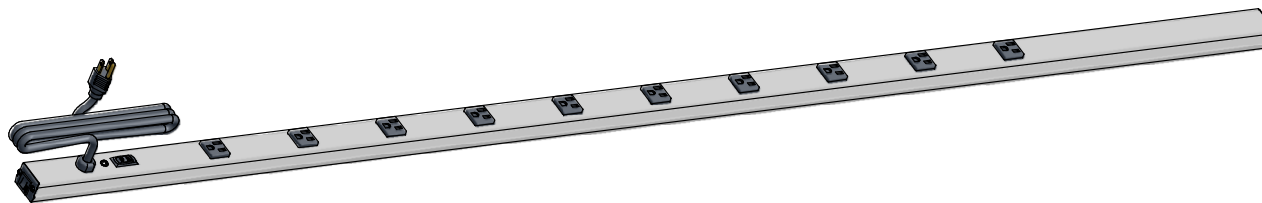
SECTION A-A
(VIEW FROM FRONT)



ASSEMBLY - VIEW FROM END



ASSEMBLY - VIEW FROM SIDE



ISOMETRIC VIEW

1587H10A1
Finish - Case - Anodized Aluminum Extrusion
Ends - ABS Plastic
Rated - 125 VAC, 60 Hz, 15 Amps
Approvals - CSA Certified Standards C22.2 (No. 21-95, 42-99)
- UL Listed Standard UL1363
Cord Length & Colour
1587H10A1 - 6' Foot Power Cord (NEMA 5-15P)
1587H10A1BK - Black w/ 6' Foot Power Cord (NEMA 5-15P)
1587H10B1 - 15' Foot Power Cord (NEMA 5-15P)
1587H10B1BK - Black w/ 15' Foot Power Cord (NEMA 5-15P)
Accessories Included
Mounting Bracket Kit with Hardware

**HAMMOND
MANUFACTURING™**

1587H10A1

www.hammondmfg.com