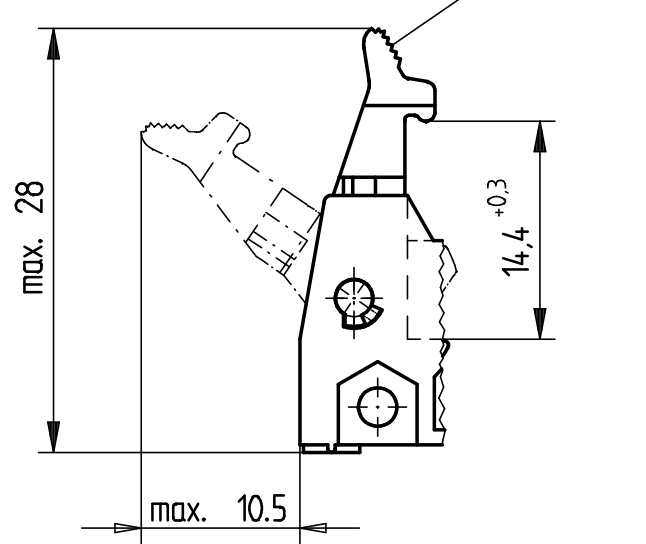
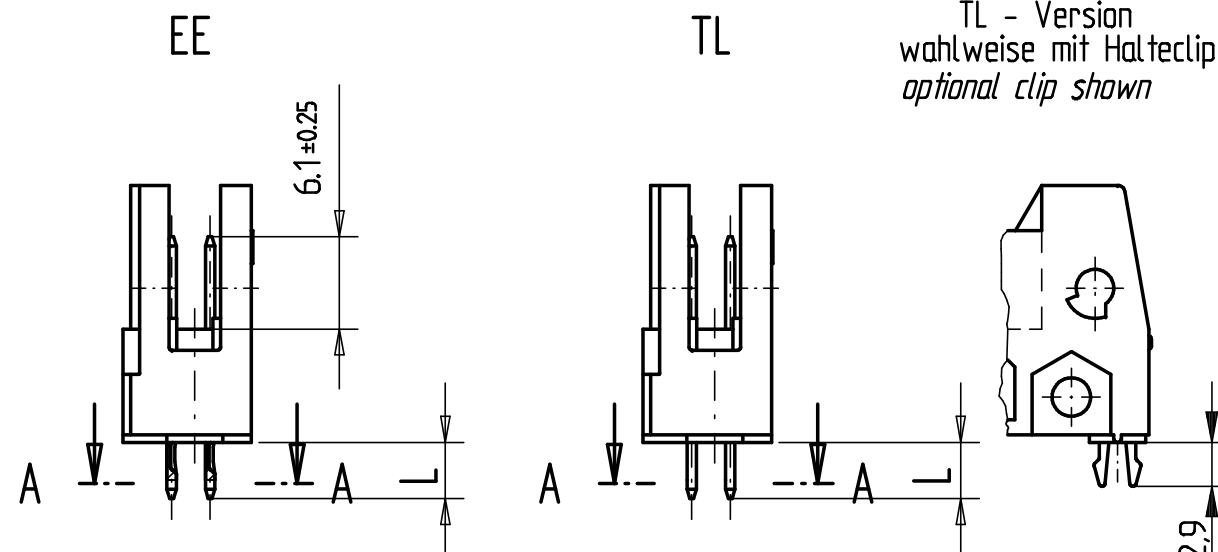
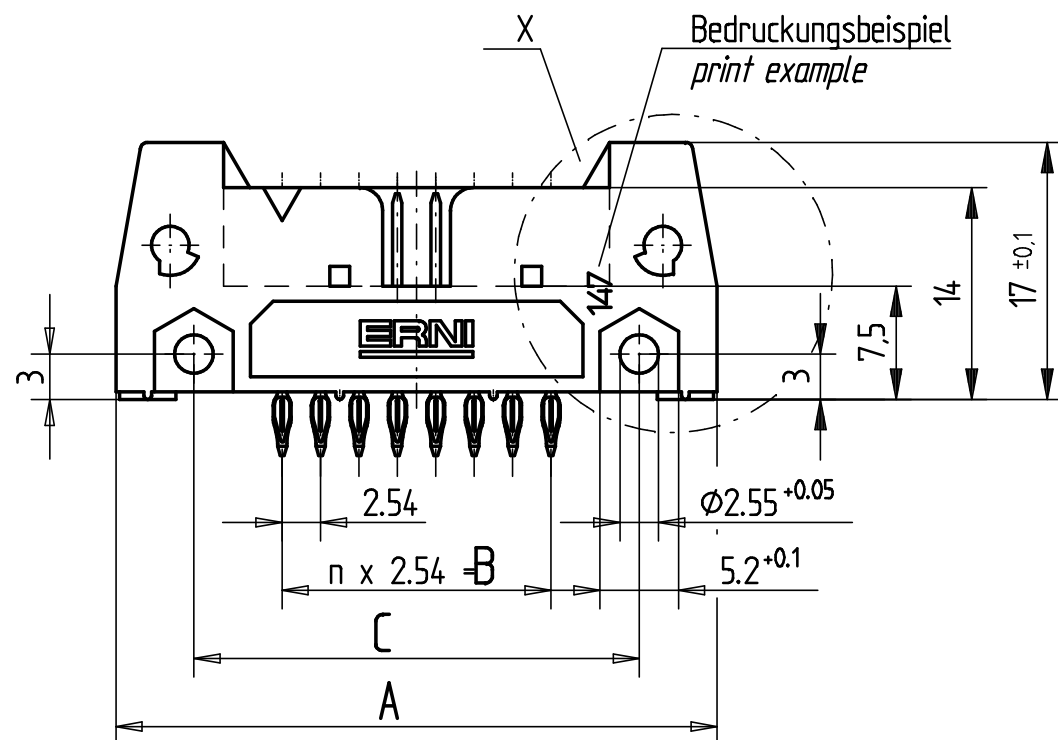


Verriegelungsklammer
interlocking clip

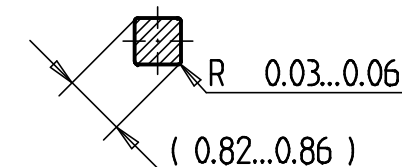


Einzelheit "X"

TL - Version
wahlweise mit Halteclip
optional clip shown

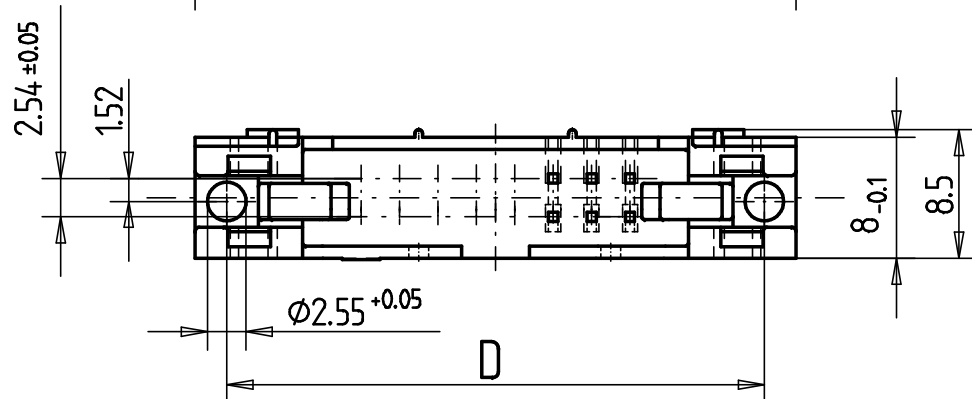


Schnitt A-A
M 10:1



Bedruckungsbeispiel
print example

1 4 7
Jahr / year 1997
Kalenderwoche / week 14



Darstellung nur Beispiel / drawing reference only

Fehlende Masse und Angaben gemäss MIL-C 83503 / DIN 41651
Missing information and dimensions according to MIL-C 83503 / DIN 41651

14	37.21	15.24	26.92	33.02	3.7		
Polzahl No. of contacts	A ±0.1	B	C ±0.1	D ±0.1	L -0.3 TL	L +0.3 EE	Bemerkung remark
Information:					Tolerances		Scale 2:1
All rights reserved. Only for information. To insure that this is the latest version of this drawing, please contact one of the ERNI companies before using.					Subject to modification without prior notice. Drawing will not be updated.		Designation
							LPV - Messerleiste TL/EE/THR LPV - Pin Header TL/EE/THR
www.ERNI.com					101002170001		K
e Index	Date	V:00071344.SZA		LPVM			

Consider protection memo from DIN 34