

PRODUCT NUMBER
SEE NOTE 3
10080068-4BA0011LF

700mm±20mm
NOTE 2 AND 13
"DIM L1"

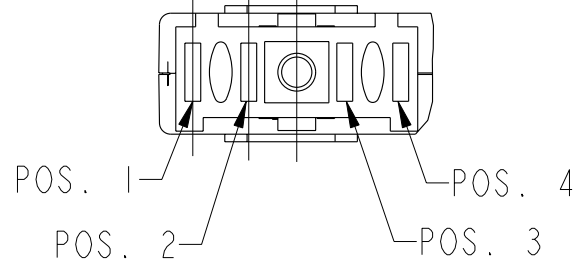
60±10mm

2X (13.75)
2X (7.40)
2X (6.35)

END P1
PWR R/A TWINBLADE
NOTE 11

LABEL
NOTE 5

+0V
-48V



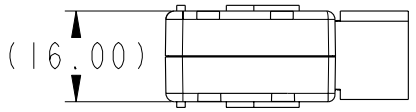
DETAIL A
SCALE 1:1

(32.00)

CABLE
NOTE 3

SEE DETAIL A

CODING KEY
NOTE 3



POS. 1 INDICATOR

WIRE LIST	
POSITION	DESCRIPTION
1 & 2	+
3 & 4	-

rev	ecn no	dr	date
A	V08-0408	DAI	2008-09-23

www.fciconnect.com		surface - ✓	tolerance std	projection	MM
TOLERANCES UNLESS OTHERWISE SPECIFIED		ANGULAR	LINEAR	size A4	Scale 1:2
Dr	D. INGRAM	2008-02-05	0.X ±0.X	ECN	V08-0408
Eng	C. GROSS	2008-02-05	0.XX ±0.10	Spec ref	
Chr	C. GROSS	2008-02-05	0.XXX ±0.XXX		
Appr	C. GROSS	2008-02-05	Product family	C&A	
FCI		TITLE PWR TWINBLADE I/O R/A CABLE ASSEMBLY		dwg no	10080068-4BA0011LF
catalog no		-		CUSTOMER	sheet 1 of 3



Copyright FCI.

PRODUCT NUMBER
SEE NOTE 3
10080068-4BA0011LF

NOTES:

- ①. MATES WITH: 51939-219LF.
- ②. UNLESS OTHERWISE SPECIFIED ASSEMBLED LENGTH TOLERANCE =
 < = 1 METER: +/- 15.0mm
 > 1 METER TO 10 METER: +/- 2% OF LI
 > 10 METER: +0.00% / -4% OF LI
- ③. PART NUMBER DESCRIPTION:
 10080068 - 4 B A 0011 LF

STYLE:

	STYLE	TERMINATED
4:	R/A	NO

LF: LEAD FREE (NOTE 10)

CUSTOMER SPECIFIC DASH NUMBER
"DIM LI" = 700mm

CODING KEY:

	ORIENTATION
A:	0°

WIRE SIZE:

	COMMERCIALY EQUIVALENT NOMINAL VALUE 2(mm)	NOTES:
B:	2 (16mm)	CABLE MUST BE HALOGEN FREE



TITLE
PWR TWINBLADE I/O
R/A CABLE ASSEMBLY
catalog no

dwg no
10080068-4BA0011LF
- CUSTOMER sheet 2 of 3

Rev.
A



PRODUCT NUMBER
SEE NOTE 3

10080068-4BA001ILF

NOTES CONTINUED:

4. UNLESS OTHERWISE SPECIFIED LABEL POSITION SHALL BE APPROXIMATELY 60mm FROM REAR OF CONNECTOR.

5. UNLESS OTHERWISE SPECIFIED STANDARD LABEL SHALL BE BRADY LABEL P/N THT-10-427-3. LABEL DETAILS;

- MANUFACTURER CODE OR NAME
- CUSTOMER P/N (PSU1-3)
- REVISION
- DATE CODE WW/YY FORMAT
- COUNTRY ORIGIN

FONT SHALL BE CLEARLY VISABLE AND BLACK IN COLOR.

6. ALL CABLE ASSEMBLIES SHALL BE TESTED 100% FOR CONTINUITY AS DEFINED IN WIRING LIST.

7. UNLESS OTHERWISE SPECIFIED ALL CABLE ASSEMBLIES SHALL BE 100% HI-POT TESTED BY APPLYING 300V DC FOR MINIMUM OF 10ms, UNLESS ACTIVE COMPONENTS ARE USED IN THIS ASSEMBLY.

8. OTHER TESTING PERFORMED AS REQUIRED BY PRODUCT SPECIFICATION: GS-12-389

9. ALL CUSTOMER DRAWINGS ARE SUPPLIED WITH METRIC DIMENSIONS.

10. LEAD FREE PRODUCTS MEET EUROPEAN UNION DIRECTIVES AND OTHER COUNTRY REGULATIONS AS DESCRIBED IN GS-22-008.

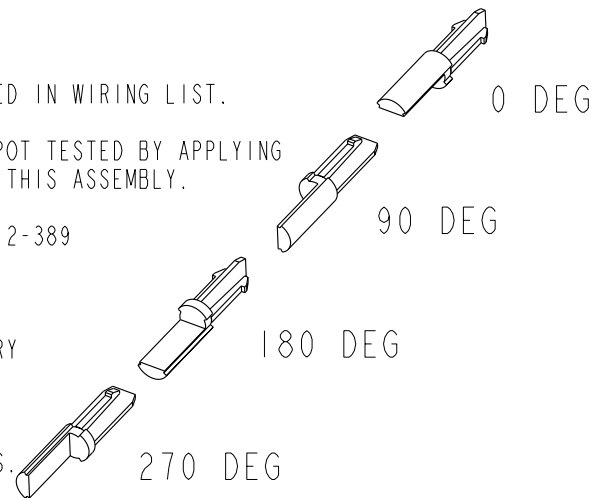
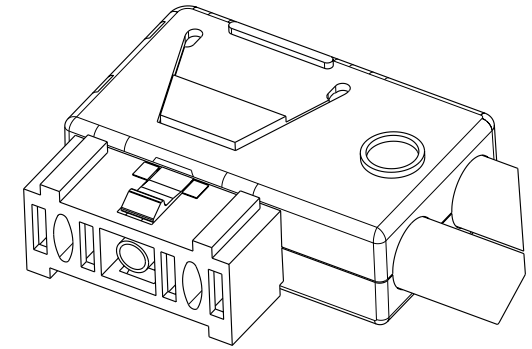
11. ASSEMBLY SHOWN IS FOR REFERENCE ONLY AND MAY NOT SHOW ALL PART DETAIL. REFERENCE CONNECTOR ASSEMBLY DRAWINGS FOR COMPLETE DETAILS.

12. PACKAGING SPECIFICATION: GS-14-1325.

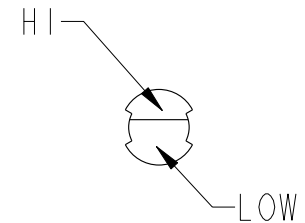
13. THIS DIMENSION IS A FINISHED PRODUCT LENGTH.

14. "A \triangle SYMBOL WILL BE NEXT TO ANY DIMENSION, VIEW, OR NOTE WHICH HAS BEEN MODIFIED WITH THE CURRENT DRAWING REVISION." THE CURRENT REVISION WILL BE SHOWN IN THE SYMBOL.

15. MATERIALS:
- | | |
|-------------------|---------------------------------------|
| TOP/BOTTOM COVERS | - HIGH TEMPERATURE NYLON |
| HOUSING | - HIGH TEMPERATURE NYLON |
| STRAIN RELIEF | - HIGH TEMPERATURE NYLON |
| LOCKING SPRING | - HIGH TEMPERATURE NYLON |
| CODING KEY | - HIGH TEMPERATURE NYLON - COLOR: RED |
| TERMINAL CRIMP | - Cu ALLOY |
| TERMINAL BLADES | - Cu ALLOY |
| CONDUCTOR | - STRANDED COPPER |
| JACKET | - POLYOLEFIN (PE) |



ISOMETRIC VIEW



0° ORIENTATION KEY
FRONT VIEW
NOTE 3



Copyright FCI.

	TITLE	PWR TWINBLADE I/O R/A CABLE ASSEMBLY	dwg no 10080068-4BA001ILF	Rev. A
	CATALOG NO	-		