

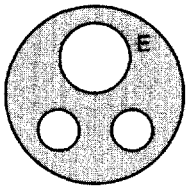
# Contact Arrangements

## Orientation

To prevent mismatching or cross plugging, shell to shell key and keyway orientations are offered in normal 'N' (single phase) or 'F' (three phase).

## Single Phase 'N' Orientation

### SHELL SIZE 18

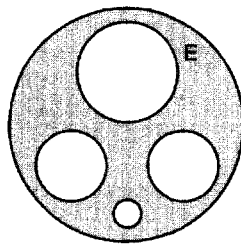


18-03

1 # 8 EARTH  
max. current 25 amps

2 # 12  
max. current 25 amps

### SHELL SIZE 22



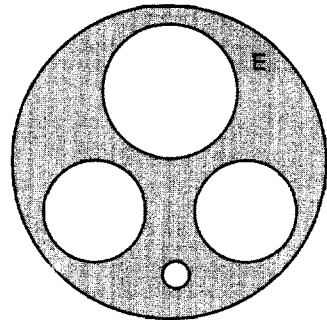
22-04

1 # 4 EARTH  
max. current 50 amps

2 # 8  
max. current 50 amps

1 # 16 PILOT  
max. current 5 amps

### SHELL SIZE 28



28-04

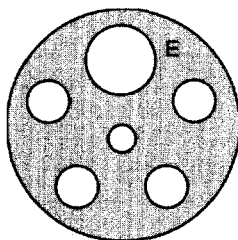
1 # 0 EARTH  
max. current 100 amps

2 # 4  
max. current 100 amps

1 # 16 PILOT  
max. current 5 amps

## 3 Phase 'F' Orientation

### SHELL SIZE 22



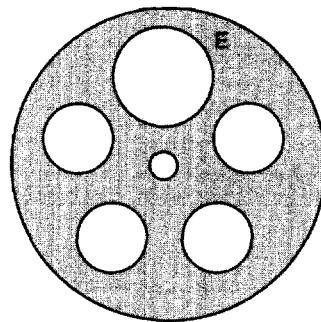
22-06

1 # 8 EARTH max.  
current 30 amps

4 # 12  
max. current 30 amps

1 # 16 PILOT  
max. current 5 amps

### SHELL SIZE 28



28-06

1 # 4 EARTH  
max. current 50 amps

4 # 8  
max. current 50 amps

1 # 16 PILOT  
max. current 5 amps

# AB Part Number Explanation

## CONNECTOR

Typical part No.



Series Prefix

Shell Style

Accessory Style

Shell Size

Contact Arrangement

Cable Variant

Modification Code

Orientation

Contact Type

## Explanation

### Series Prefix

- **ABPC** Power Connector

### Shell Style

- **00** No Connector Supplied.
- **18** Reverse Fixed Connector (Pin contact Only).
- **20** Fixed Connector (Socket Contact Only).
- **59** Reverse Free Connector (Socket Contact Only).
- **62** Free Connector (Pin Contact Only).

### Accessory Style

- **00** No Accessory
- **14** Straight Outlet (Without Cable Seal Kit).
- **15** Straight Outlet (With Cable Seal Kit).
- **20** Fixed/Rev-Fixed Connector with Panel Mounting Gasket.
- **25** Connector Supplied with Protective Cap.
- **26** Connector Supplied with Protective Cap. & Straight Outlet.
- **35** Fixed/Rev-Fixed Connector Supplied with Protective Cap & Panel Mounting Gasket.
- **63** Protective Cap for Free Connector.
- **64** Protective Cap for Reverse Fixed Connector.
- **65** Protective Cap for Fixed Connector.
- **74** Protective Cap for Reverse Free Connector.
- **78** Protective Cap Without Cord (Reverse Free & Fixed Connector).
- **79** Protective Cap Without Cord (Free & Reverse Fixed Connector).
- **84** Cable Seal Kit.
- **95** Panel Mounting Gasket.

### Shell Size

- **18, 22, 28.**

### Contact Arrangement

- See Selection on Page 3.

### Contact Type

- **P** = Pin
- **S** = Socket

### Orientation

- Key / Keyway. 'N' or 'F'. See Contact Arrangement Selection on Page 3.

### Mod-Code

- **00** Solder Contacts (Cadmium Plated Shells).
- **01** Solder Contacts (Zinc Cobalt Plated Shells).
- **02** 2.5mm<sup>2</sup> cable.
- **04** 4mm<sup>2</sup> cable.
- **06** 6mm<sup>2</sup> cable.
- **10** 10mm<sup>2</sup> cable.
- **15** No Contacts (Cadmium Plated Shells).
- **16** No Contacts (Zinc Cobalt Plated Shells).
- **25** 25mm<sup>2</sup> cable.

### Cable /Plating Variant

- **01** For Use With BS 6007 Cable (Cadmium Plated Metalwork).
- **03** For Use With Def. Stan. 61-12 part 27 Cable (Cadmium Plated Metalwork).
- **04** For Use With BS 6007 Cable (Zinc Cobalt Plated Metalwork).
- **06** For Use With Def. Stan. 61-12 part 27 Cable (Zinc Cobalt Plated Metalwork).

**NB.** Cable variant only applies to items supplied with cable seals e.g.

Free Connector Cable Seal Kit etc.

**Not** Fixed Connector Protective Caps etc.

## Examples

Free connector with straight outlet including cable kit size 22-04 pin orientation. 'N' solder contacts BS.6007 cable: **ABPC 6215 22 04PN 10 01**

Reverse fixed connector no accessory size 28-06 pin orientation 'F' solder contacts: **ABPC 1800 28 06PF 00**

Protective cap for size 18 fixed connector: **ABPC 0065 18 0000 15**

Panel gasket for size 18 fixed connector: **ABPC 0095 18 0000 15**

Fixed connector supplied with protective cap size 28-06 socket orientation 'F' solder contacts:

**ABPC 2025 28 06SF 00**

Reverse free connector with straight outlet including cable kit and protective cap size 22-04 socket 'N' orientation solder contacts Def. Stan. 61-12 cable 3 core 6mm<sup>2</sup> + pilot:

**ABPC 5915 2204 06 03**

**General note** - when digit not applicable add '0'

**NOTE.** For filler plug ordering details see page 9