

**HSC****Series****OF OPTICAL FIBER CONNECTOR**

## SC TYPE OPTICAL FIBER CONNECTOR

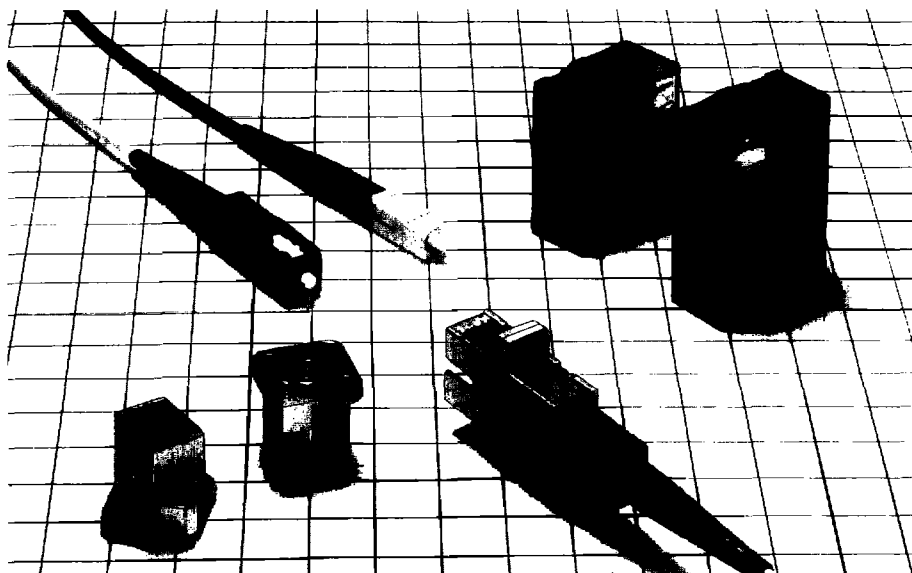
### SCOPE:

The HSC series optical fiber connectors comply with JIS C 5973 (model F04 1-position optical fiber connector) and the NTT SC optical fiber connector standards. They are available in single mode or multi-mode for various applications such as optical transmission trunk lines, equipment-to-equipment data links, and short-link systems.

Technical features of the HSC include "push-pull" locking, a zirconia ferrule, plastic housing, and positive clamping of the optical cables in the housing. Thus, the HSC offers excellent operability, high-density mounting, compact size, high performance, and good cost performance.

The connectors with cables are available in the following types: flat polishing, PC polishing featuring low reflection and ultra-low insertion loss, advanced PC polishing compatible with low-reflection, and angled PC polishing.

The strengthened cable-clamp plugs are designed to increase the tensile strength in the bending direction. The adapters with split zirconia sleeve generate less powder due to insertion/extraction because the array member material of the zirconia ferrule has been changed from conventional copper alloy to zirconia.



### FEATURES:

- |                                  |   |
|----------------------------------|---|
| (1) Easy to use                  | (4) High performance and high reliability |
| (2) High density mounting        | (5) Economical and efficient wiring       |
| (3) Compact, light-weight design |   |

#### <Strengthened cable-clamp>

1. Reduces cable loss against tensile force in the vertical bending direction of the cable clamp.
2. Because the type cannot be distinguished from the appearance, different holder colors are used to show PC polishing or APC polishing type.

#### <Adapter with zirconia split sleeve>

- (1) Reduced powder generation inside the split sleeve due to insertion/extraction, enhancing optical repeatability.
- (2) Enhanced operability through reduced abrasion powder and low holding force.

### APPLICATIONS:

Public communication network, LAN, CATV, computer communication system, etc.

# OF OPTICAL FIBER CONNECTOR

## SPECIFICATIONS:

- (1) Insertion Loss
  - SSMA-9.5/125
    - PC polishing: 0.5dB or less (light source: 1.3 μ m LD)
    - AdPC polishing: 0.5dB or less (light source: 1.3 μ m LD)
    - Angled polishing: 0.5dB or less (light source: 1.3 μ m LD)
    - Flat polishing: 1.0dB or less (light source: 1.3 μ m LD)
  - SIG-50/125
    - PC polishing: 0.3dB or less (light source: 1.3 μ m LED)
    - Flat polishing: 0.6dB or less (light source: 1.3 μ m LED)
- (2) Reflection Loss
  - SSMA-9.5/125
    - PC polishing: 22dB or more (light source: 1.3 μ m LD)
    - AdPC polishing: 40dB or more (light source: 1.3 μ m LD)
    - Angled polishing: 60dB or more (light source: 1.3 μ m LD)
  - SIG-50/125
    - PC polishing: 22dB or more (light source: 1.3 μ m LD)
- (3) Applicable Fibre Cord
  - SM-9.5/125, SIG-50/125 optical fibre cord
  - Insulation diameter φ 3mm, φ 2mm and φ 0.9mm (core wire)
- (4) Cycle
  - 500 times, Deviation of insertion loss: Max. 0.2dB
- (5) Temperature Cycle
  - 25°C~70°C, 100 cycles
  - Deviation of insertion loss: Max. 0.2dB
- (6) Vibration
  - 10~55Hz, Amplitude: 1.5mm
  - Deviation of insertion loss: Max. 0.2dB
- (7) Shock
  - 100G, Deviation of insertion loss: Max. 0.2dB

## MATERIAL:

Parts Name	Materials	Remarks
Single-Position Plug Housing	PBT resin	Plastic Product NTT, SC Type
Coil Spring	Stainless Steel	
Ferrule	Zirconia	
Single-Position Adaptor	PBT resin	
	Zinc Alloy Die-Cast	
4-Position Adaptor	PBT resin	
5-Position Adaptor	PBT resin	
Receptacle	Zinc Alloy Die-Cast	
Attenuator	Zinc Alloy Die-Cast	
Split Sleeve	Cooper Alloy	
	Zirconia	

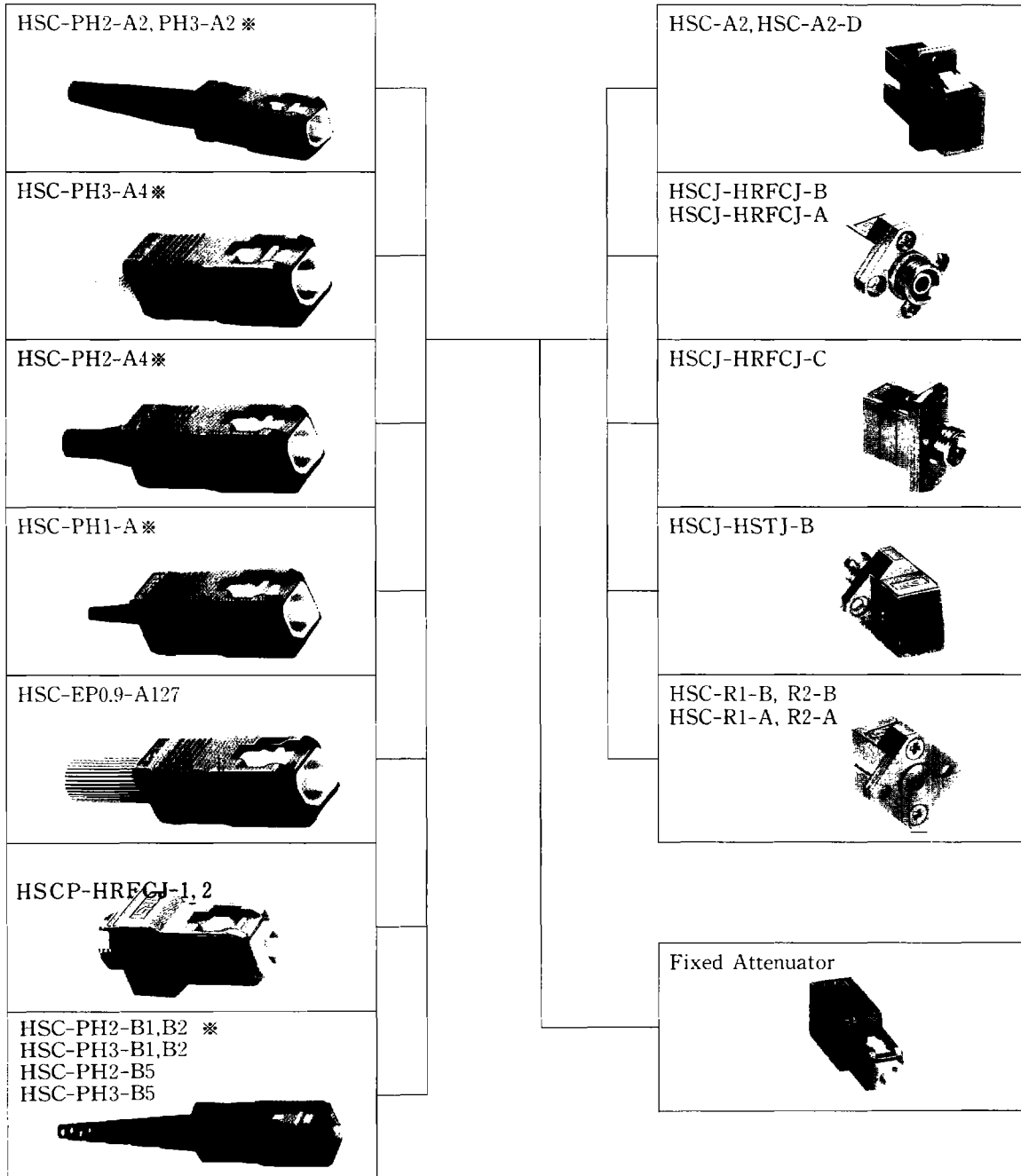
## Notes on Handling

- (1) Insertion/extraction
  - Manual insertion/ extraction connector (by hand). When inserting the connector, push the knob or rubber until the white line on the knob is hidden. When removing it, pull it by the knob.
  - Jig insertion/ extraction connector (without knob): To be inserted extracted with jig. Use an insertion/extraction jig (HSC-T1).
- (2) Cleaning
  - Plug: Wipe off stains on the ferrule with industrial waste paper moistened with alcohol.
  - Adaptor: Wipe the ferrule inserting part with an applicator moistened with alcohol.

# OF OPTICAL FIBER CONNECTOR

## ● HSC TYPE FUNCTION CHART

### HAND-LOCK RELEASE TYPE

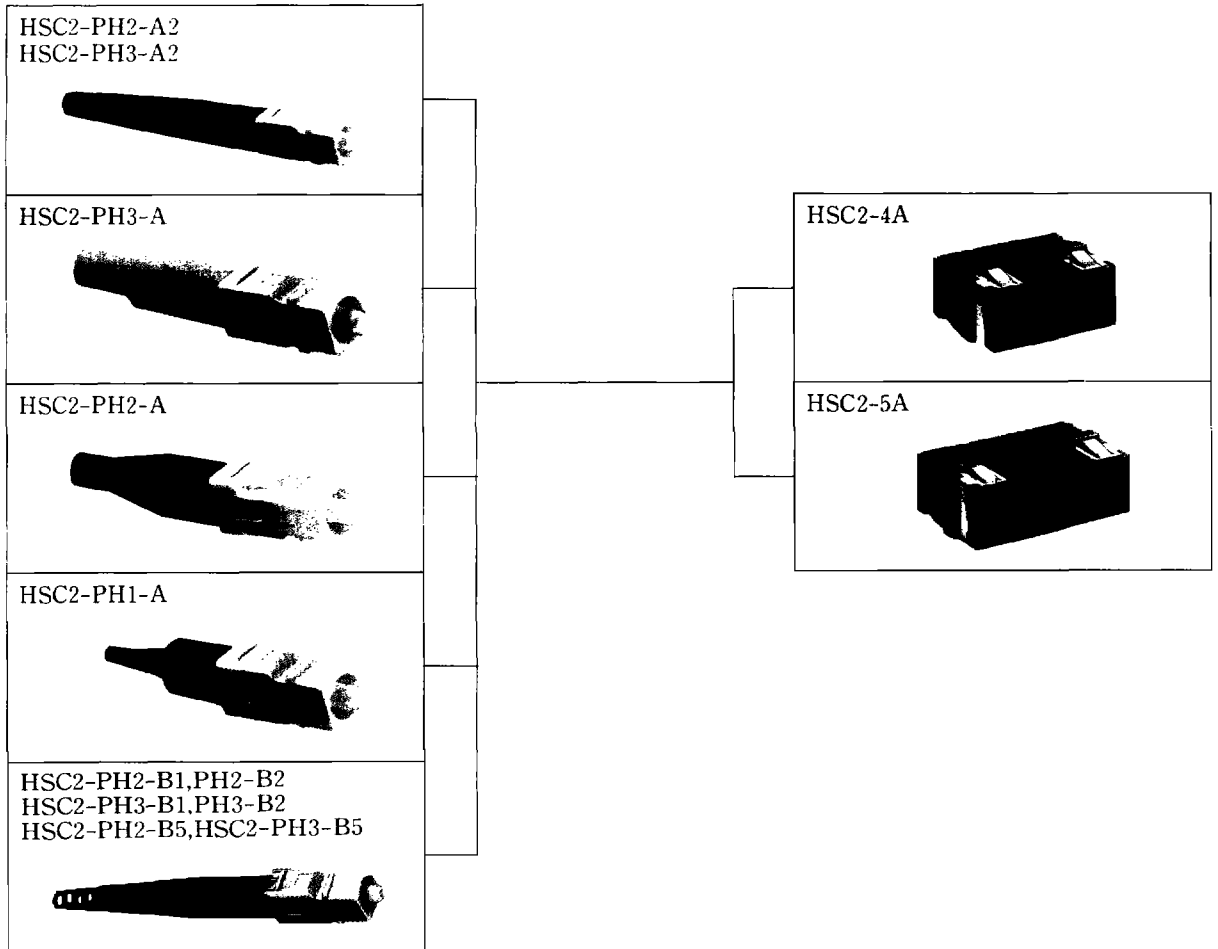


Note: Photos marked with\* indicate connectors with the zirconia ferrule.

# OF OPTICAL FIBER CONNECTOR

PHOTO JUNCTION BOX

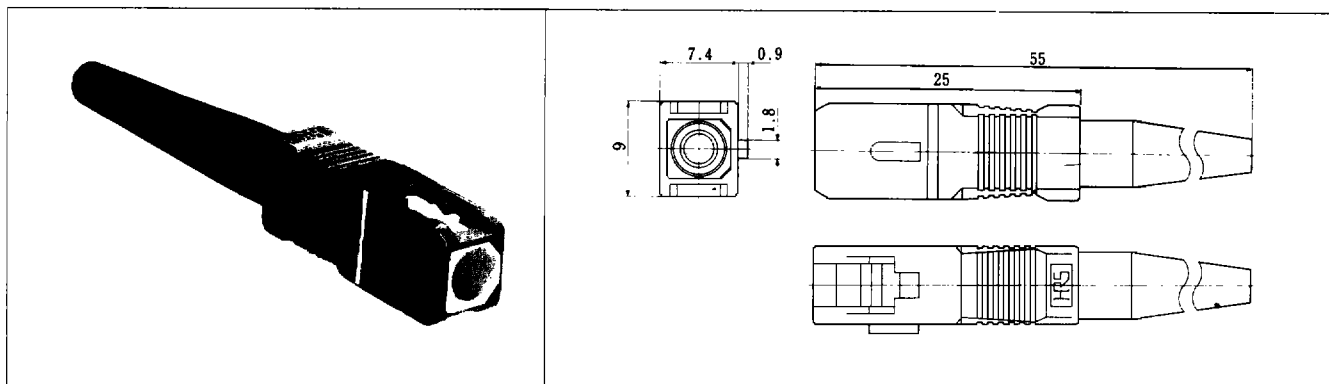
## TOOL-LOCK RELEASE TYPE



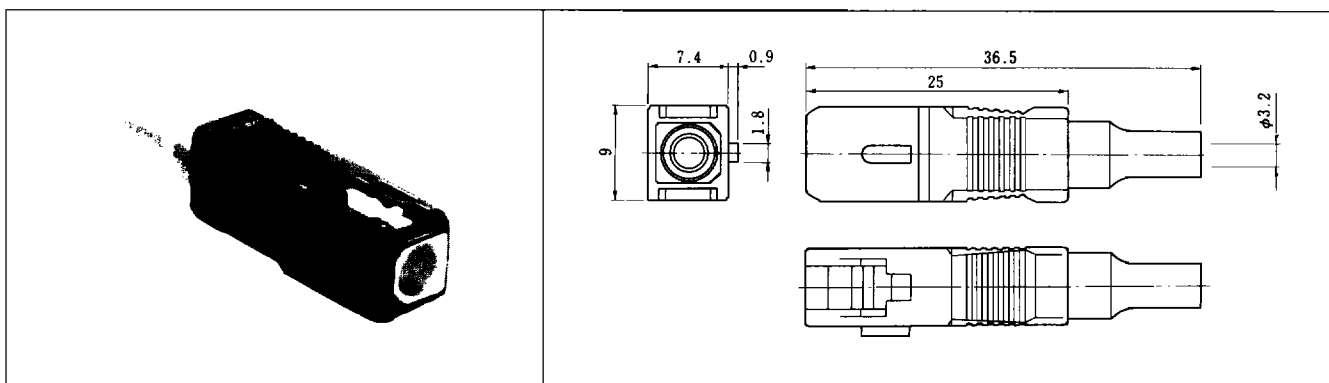
Note: Photos marked with\* indicate connectors with the zirconia ferrule.

# OF OPTICAL FIBER CONNECTOR

## ● PLUG HOUSING (HAND-LOCK RELEASE TYPE)

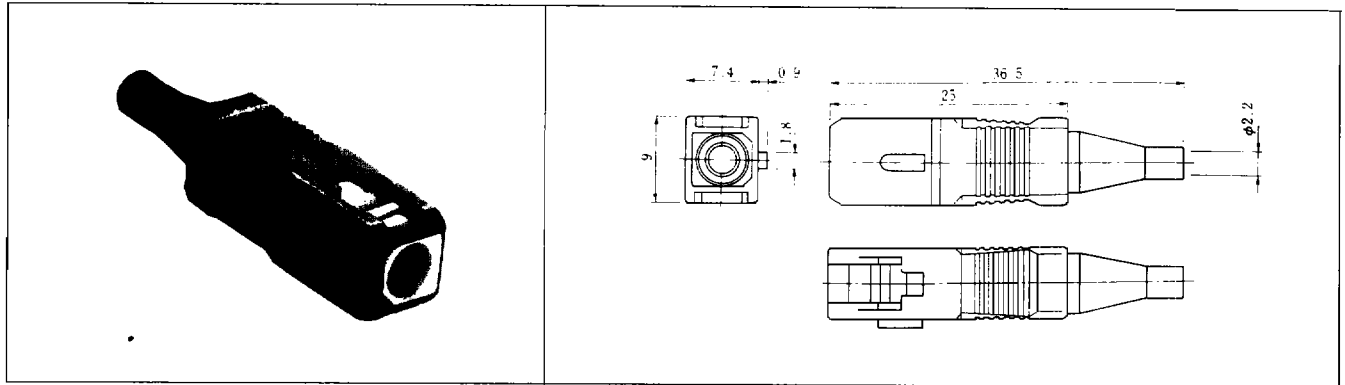


HRS No.	Part No.	Cord Dia.	Hood color	Specifications	Remark
CL704-0016-3	HSC-PH2-A2	φ 2mm	Blue	For PC	NTT, SC Type
CL704-0016-3(18)	HSC-PH2-A2(18)		Light purple	For advanced PC	
—	HSC-PH2-A5		Green	Angled PC	—
CL704-0017-6	HSC-PH3-A2	φ 3mm	Blue	For PC	NTT, SC Type
CL704-0017-6(18)	HSC-PH3-A2(18)		Light purple	For advanced PC	
—	HSC-PH3-A5		Green	Angled PC	—

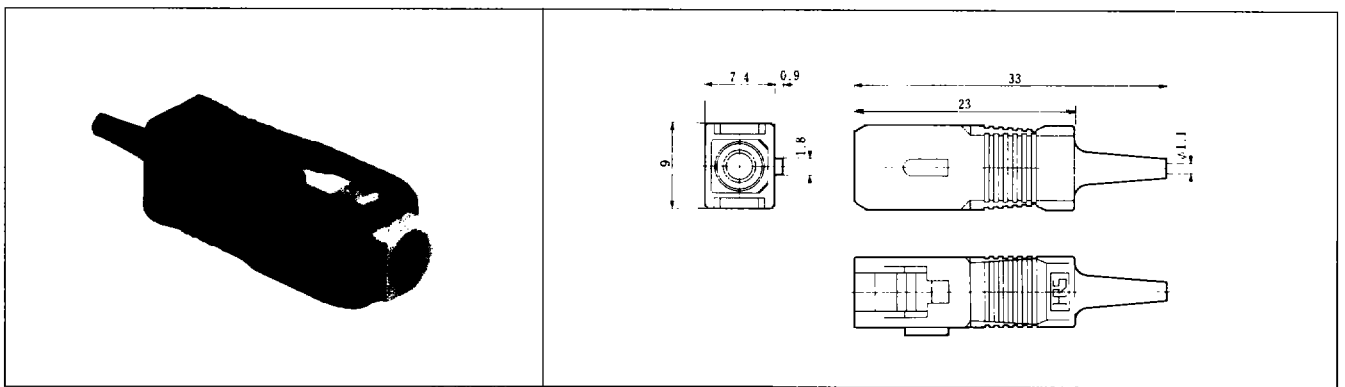


HRS No.	Part No.	Cord Dia.	Remark
CL704-0245-0	HSC-PH3-A4	φ 3mm	Short Type

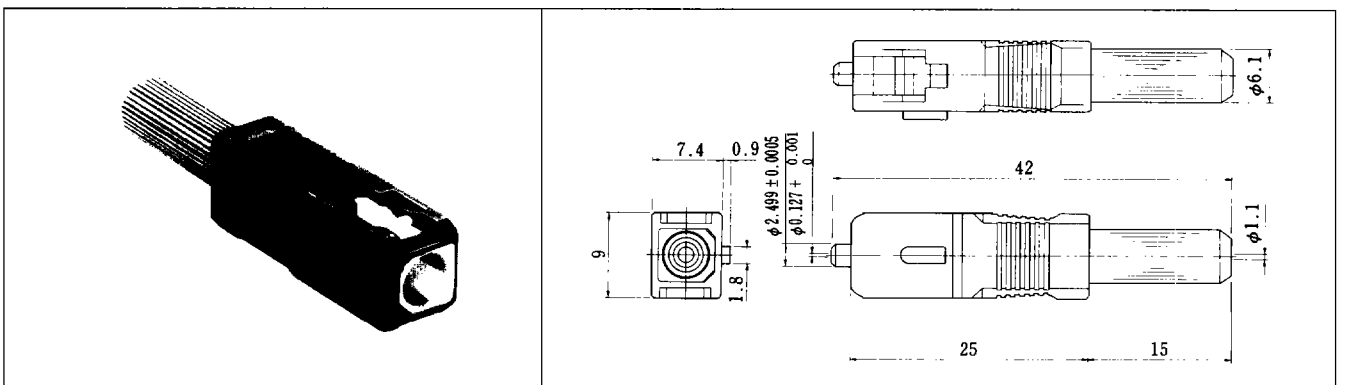
# OF OPTICAL FIBER CONNECTOR



HRS No.	Part No.	Cord Dia.	Remark
CL704-0244-8	HSC-PH2-A4	$\phi$ 2mm	Short Type



HRS No.	Part No.	Cord Dia.	Remark
CL704-0118-3-05	HSC-PH1-A(05)	$\phi$ 0.9mm Fibre Cord	—
CL704-3005-3	HSC-PH1-A5	$\phi$ 0.9mm Fibre Cord	Green



HRS No.	Part No.	Cord Dia.	Remark
—	HSC-EP0.9-A127	$\phi$ 0.9mm Fibre Cord	Emergency Connector

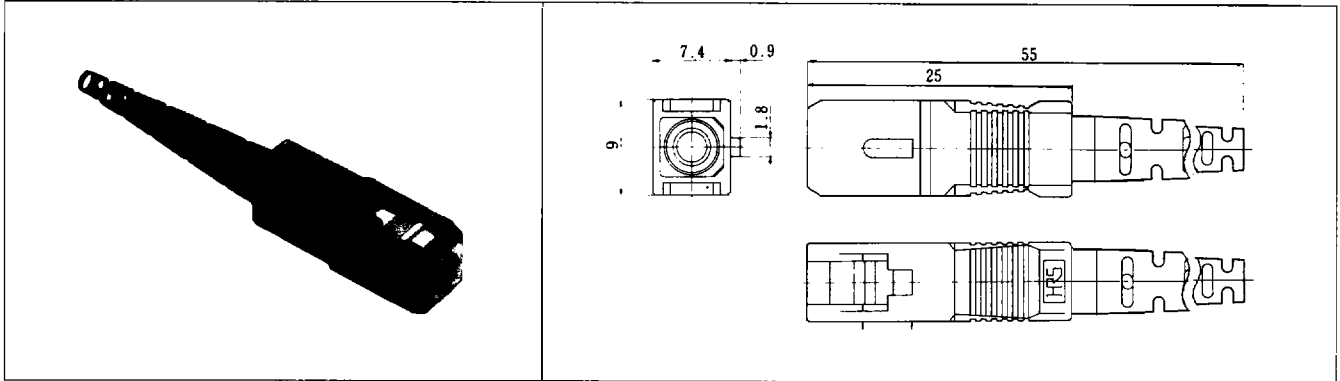
# OF OPTICAL FIBER CONNECTOR

33 17001 0000 000 000 000 000

## ● PLUG HOUSING

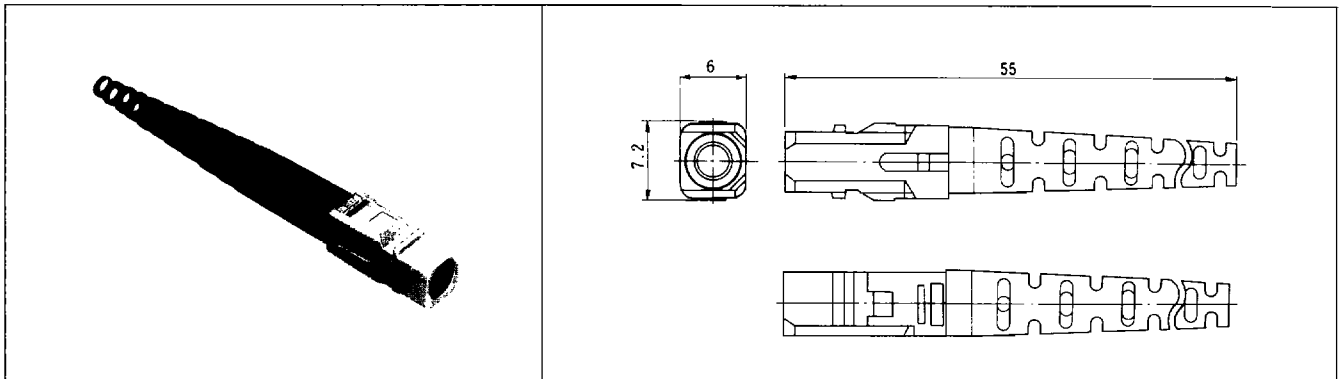
(PLUG WITH STRENGTHENED CABLE CLAMP)

< HAND-LOCK RELEASE TYPE >



HRS No.	Part No.	Cord Dia.	Hood color	Specifications	Remark
CL704-0220-0	HSC-PH2-B1	φ 2mm	Blue	For PC	NTT, SC Type
CL704-0221-2	HSC-PH2-B2		Light purple	For advanced PC	
—	HSC-PH2-B5		Green	Angled PC	—
CL704-0222-5	HSC-PH3-B1	φ 3mm	Blue	For PC	NTT, SC Type
CL704-0223-8	HSC-PH3-B2		Light purple	For advanced PC	
—	HSC-PH3-B5		Green	Angled PC	—

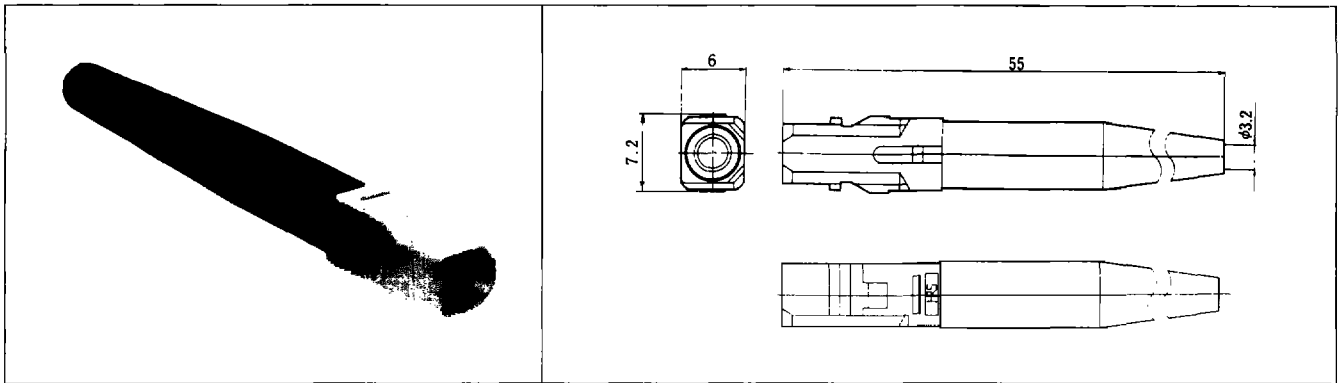
< TOOL-LOCK RELEASE TYPE >



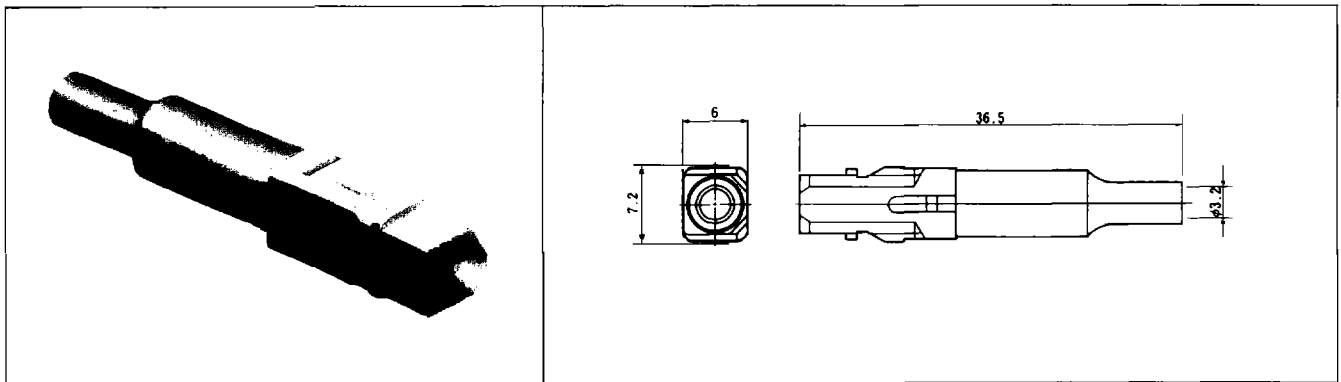
HRS No.	Part No.	Cord Dia.	Hood color	Specifications	Remark
CL704-0224-0	HSC2-PH2-B1	φ 2mm	Blue	For PC	NTT, SC Type
CL704-0225-3	HSC2-PH2-B2		Light purple	For advanced PC	
—	HSC2-PH2-B5		Green	Angled PC	—
CL704-0226-6	HSC2-PH3-B1	φ 3mm	Blue	For PC	NTT, SC Type
CL704-0227-9	HSC2-PH3-B2		Light purple	For advanced PC	
—	HSC2-PH3-B5		Green	Angled PC	—

# OF OPTICAL FIBER CONNECTOR

## ● PLUG HOUSING (TOOL-LOCK RELEASE TYPE)



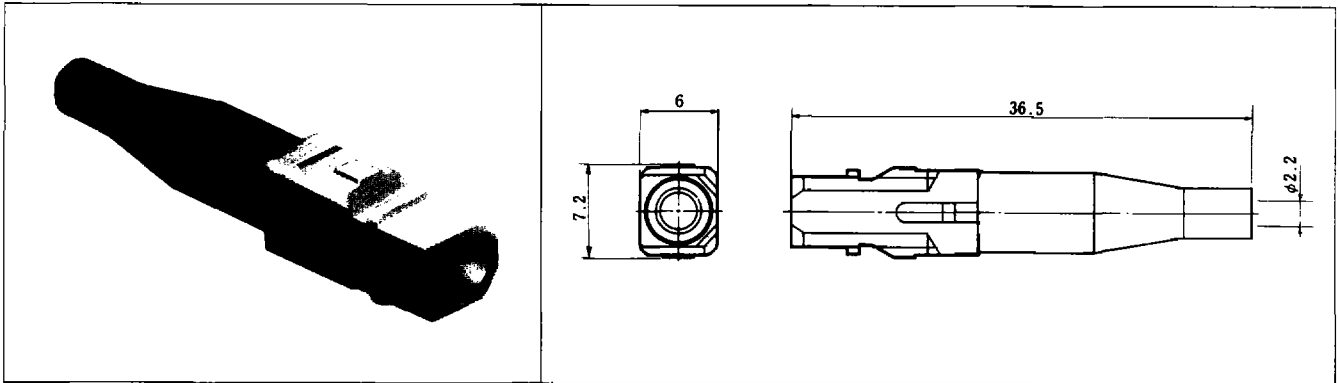
HRS No.	Part No.	Cord Dia.	Hood color	Specifications	Remark
CL704-0018-9	HSC2-PH2-S2	φ 2mm	Blue	For PC	NTT, SC Type
CL704-0018-9(18)	HSC2-PH2-S2(18)		Light purple	For advanced PC	
CL704-0019-1	HSC2-PH3-A2	φ 3mm	Blue	For PC	
CL704-0019-1(18)	HSC2-PH3-A2(18)		Light purple	For advanced PC	



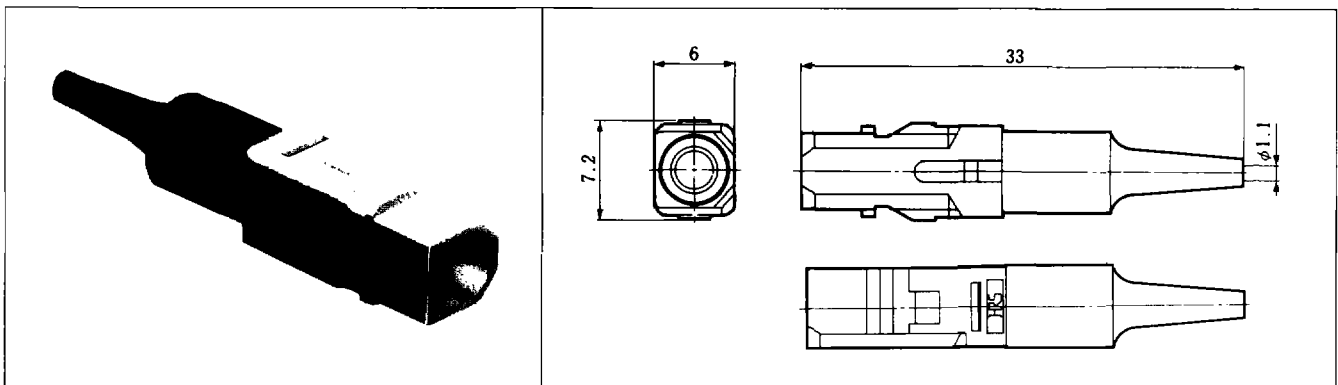
HRS No.	Part No.	Cord Dia.	Remark
CL704-0015-0	HSC2-PH3-A	φ 3mm	Short Type



# OF OPTICAL FIBER CONNECTOR



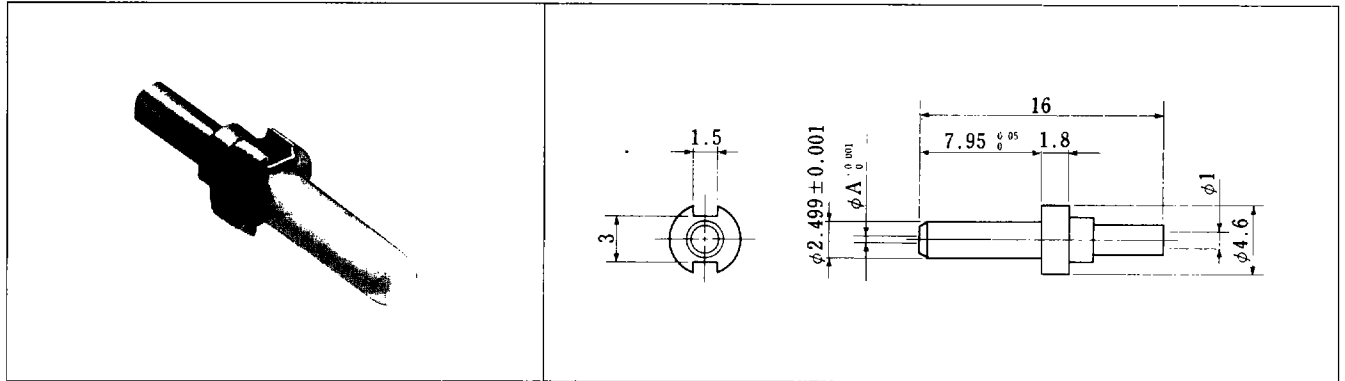
HRS No.	Part No.	Cord Dia.	Remark
CL704-0014-8	HSC2-PH2-A	φ 2mm	Short Type



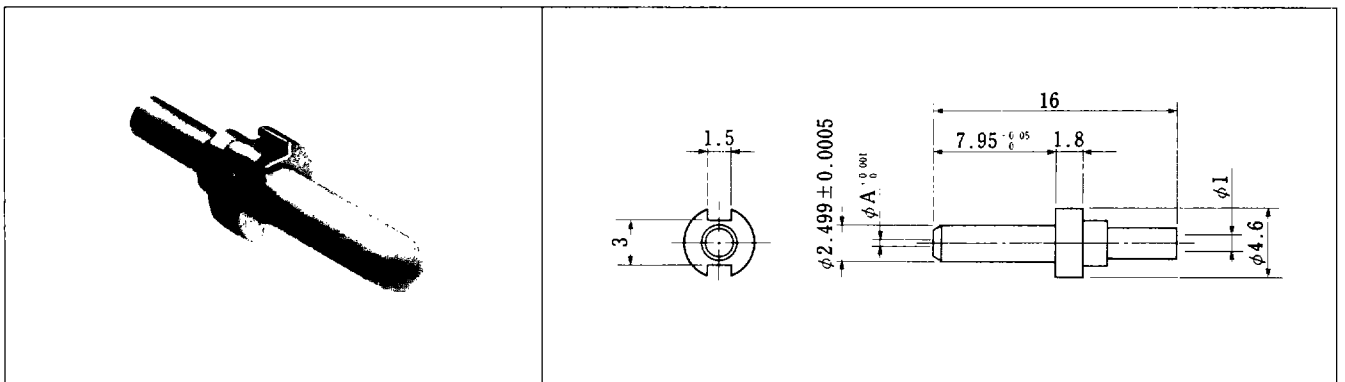
HRS No.	Part No.	Cord Dia.	Remark
CL704-0119-6	HSC2-PH1-A	φ 0.9mm Fibre Cord	—

# OF OPTICAL FIBER CONNECTOR

## ● FERRULE (TWO-GROVE TYPE)



HRS No.	Part No.	$\phi A$	Applicable Optical Fiber	Fiber Introduction Angle
CL704-0008-5	HSC-F3-B124	0.124	Multi-Mode Optical Fiber	90°
CL704-0009-8	HSC-F3-B125	0.125		
CL704-0010-7	HSC-F3-B126	0.126		
CL704-0011-0	HSC-F3-B127	0.127		
CL704-0012-2	HSC-F3-B128	0.128		
CL704-0103-6	HSC-F321-B124	0.124		60°
CL704-0104-9	HSC-F321-B125	0.125		
CL704-0105-1	HSC-F321-B126	0.126		
CL704-0106-4	HSC-F321-B127	0.127		
CL704-0107-7	HSC-F321-B128	0.128		

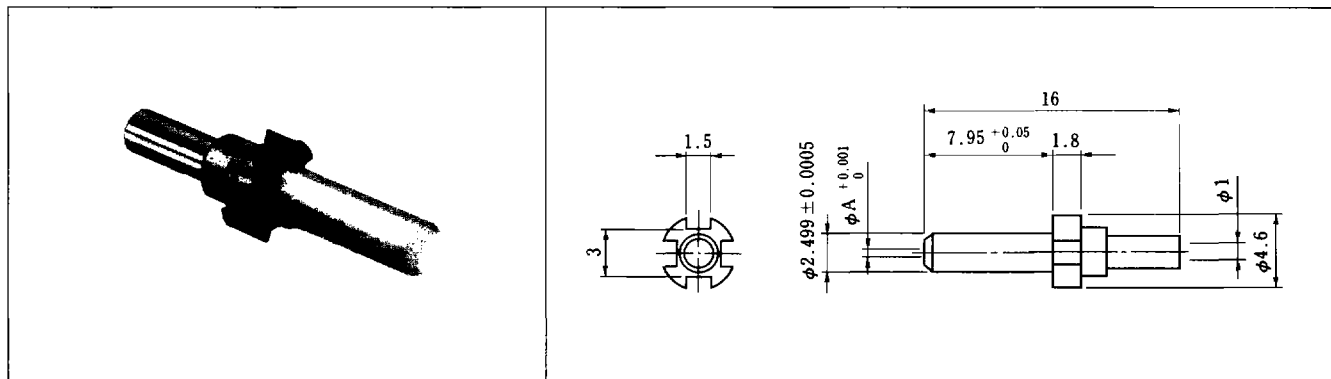


HRS No.	Part No.	$\phi A$	Applicable Optical Fiber	Fiber Introduction Angle
CL704-0002-9	HSC-F3-A123	0.123	Single-Mode Optical Fiber	90°
CL704-0003-1	HSC-F3-A124	0.124		
CL704-0004-4	HSC-F3-A125	0.125		
CL704-0005-7	HSC-F3-A126	0.126		
CL704-0006-0	HSC-F3-A127	0.127		
CL704-0007-2	HSC-F3-A128	0.128		

# OF OPTICAL FIBER CONNECTOR

FERRULE (FOUR-GROOVE TYPE)

## ● FERRULE (FOUR-GROOVE TYPE)

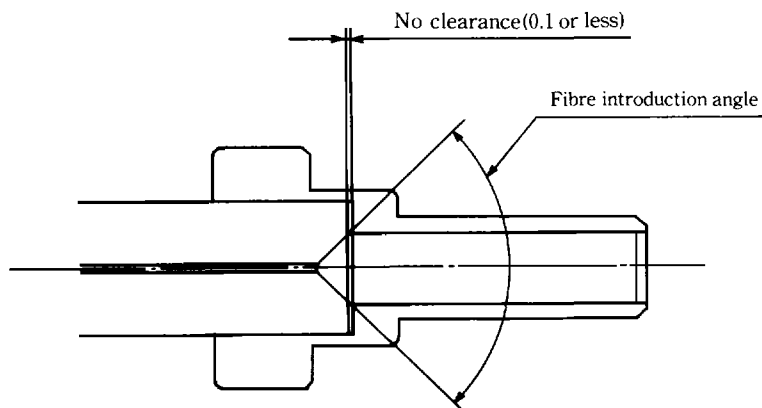


HRS No.	Part No.	$\phi A$	Applicable Optical Fiber	Fiber Introduction Angle
CL704-0068-7	HSC-F321-A123	0.123	Single-Mode Optical Fiber	60°
CL704-0069-0	HSC-F321-A124	0.124		
CL704-0070-9	HSC-F321-A125	0.125		
CL704-0200-2	HSC-F321-A1255	0.1255		
CL704-0071-1	HSC-F321-A126	0.126		
CL704-0072-4	HSC-F321-A127	0.127		
CL704-0073-7	HSC-F321-A128	0.128		

Note: Select ferrule to match cable  $\phi$ .

To reduce wire breakages during wiring, the ferrule has no press-fit clearance. To ensure smooth fiber introduction, ferrules with a fiber introduction angle of 60° are also available (optional).

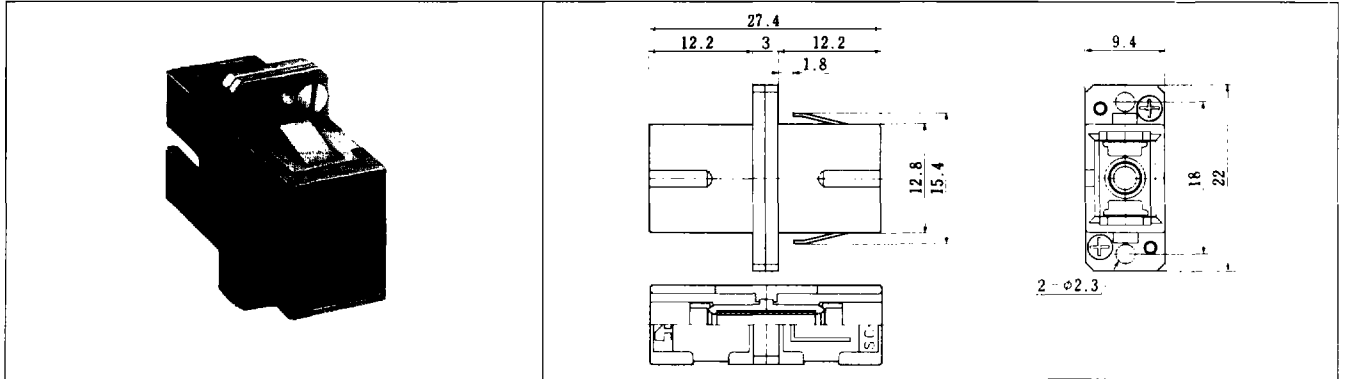
Ferrules for single mode are available in 4-slot type, so that the deflection direction can be aligned easily. See the figure below.



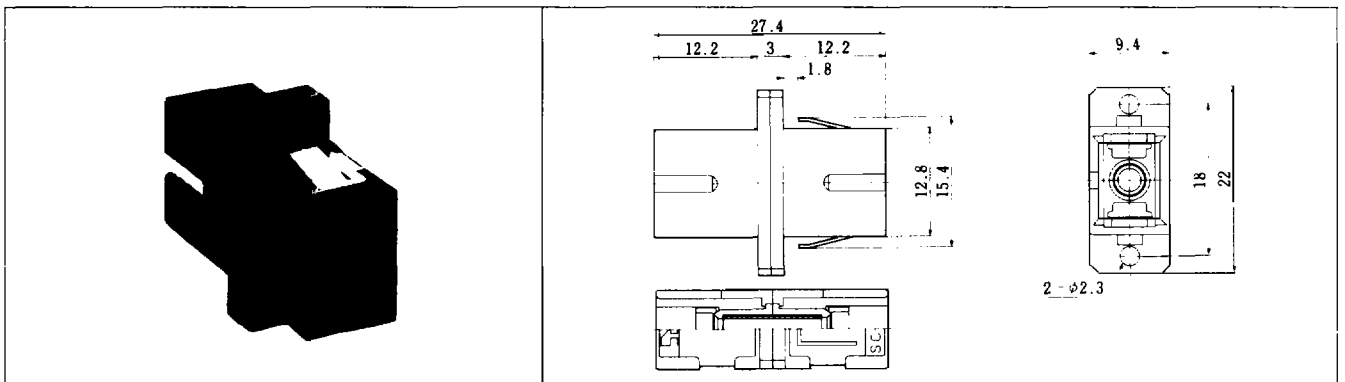
# OF OPTICAL FIBER CONNECTOR

## ● ADAPTOR (HAND-LOCK RELEASE TYPE)

Mounting plate standard thickness: 1.6mm



HRS No.	Part No.	Split sleeve specification	Remarks
CL704-0020-0	HSC-A2	Copper alloy	NTT, SC Type, Diecast housing
CL704-0216-2	HSC-A2-D1	Zirconia	

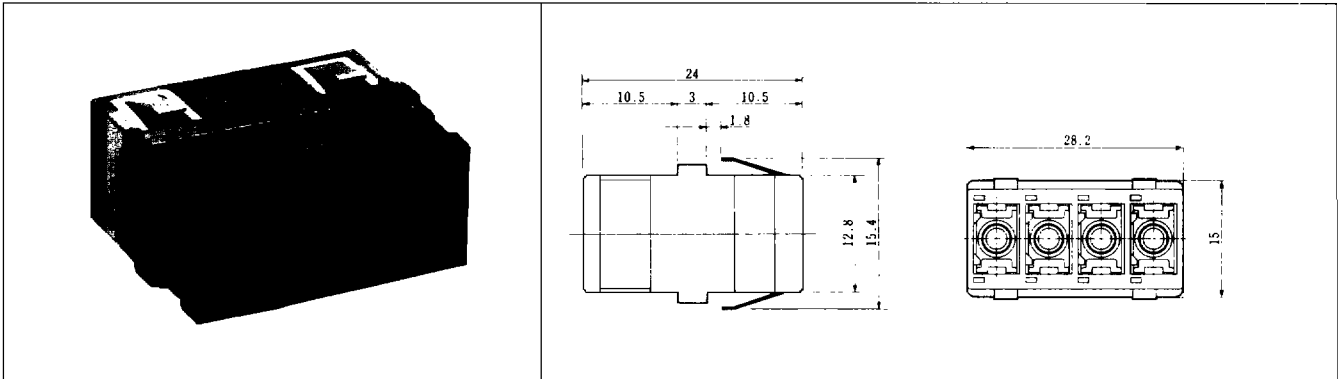


HRS No.	Part No.	Split sleeve specification	Remarks
CL704-0092-1	HSC-A3	Copper alloy	NTT, SC Type, Plastic housing
CL704-0217-5	HSC-A3-D1	Zirconia	

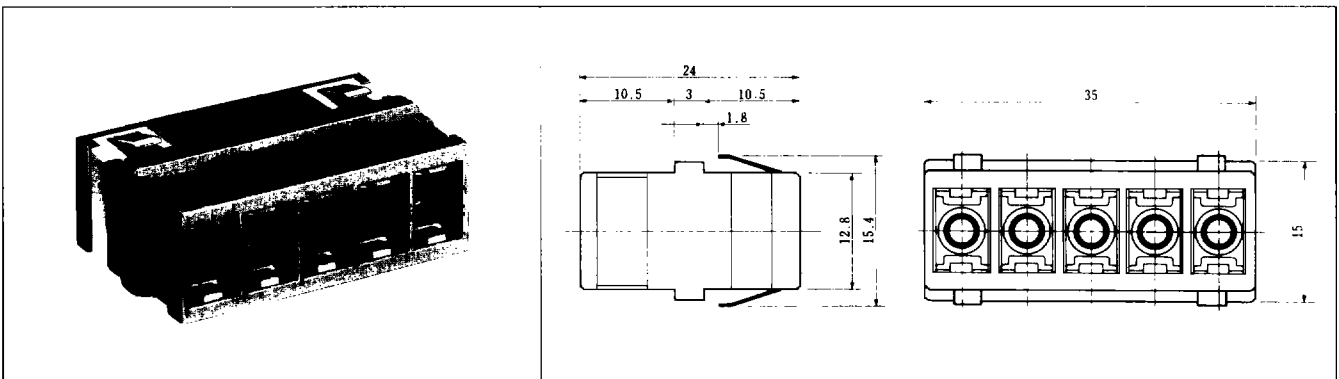
# OF OPTICAL FIBER CONNECTOR

## ● ADAPTOR (TOOL-LOCK RELEASE TYPE)

Mounting plate standard thickness: 1.6mm



HRS No.	Part No.	Split sleeve specification	Remarks
CL704-0024-1	HSC2-4A	Copper alloy	NTT, SC Type
CL704-0218-8	HSC2-4A-D1	Zirconia	



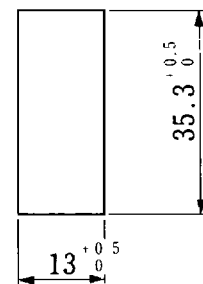
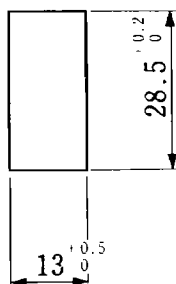
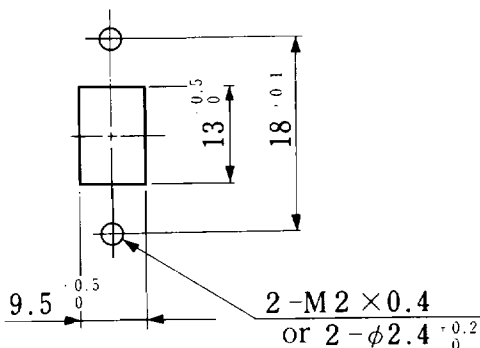
HRS No.	Part No.	Split sleeve specification	Remarks
CL704-0025-4	HSC2-5A	Copper alloy	NTT, SC Type
CL704-0219-0	HSC2-5A-D1	Zirconia	

### < MOUNTING HOLE >

- HSC-A2,
- HSC-A2-D
- HSC-A3
- HSC-A3-D

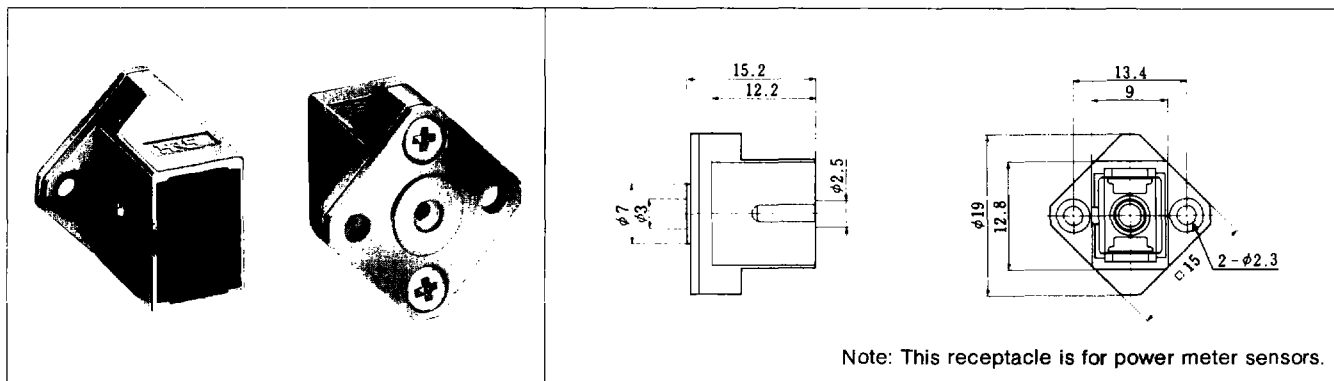
- HSC2-4 A
- HSC2-4A-D

- HSC2-5A
- HSC2-5A-D



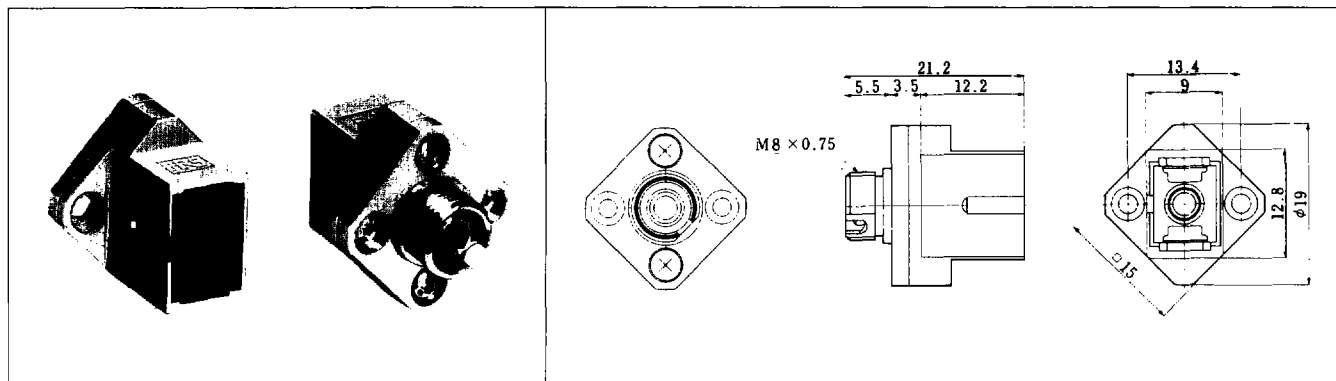
# OF OPTICAL FIBER CONNECTOR

## ● RECEPTACLE



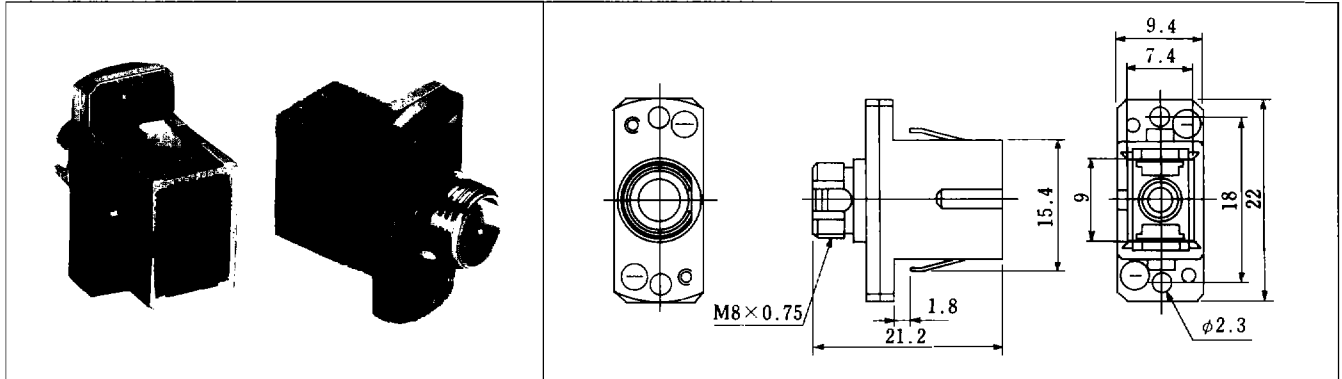
HRS No.	Part No.	$\phi$ 2.5 Tolerance	Remark
CL704-0022-6	HSC-R1-B	+0.011 +0.001	NTT, SC Type
CL704-0023-9	HSC-R2-B	+0.006 +0.001	
CL704-0094-7	HSC-R1-A	+0.011 +0.001	Housing material: Plastic
CL704-0095-0	HRC-R2-A	+0.006 +0.001	

## ● CONVERTER ADAPTOR

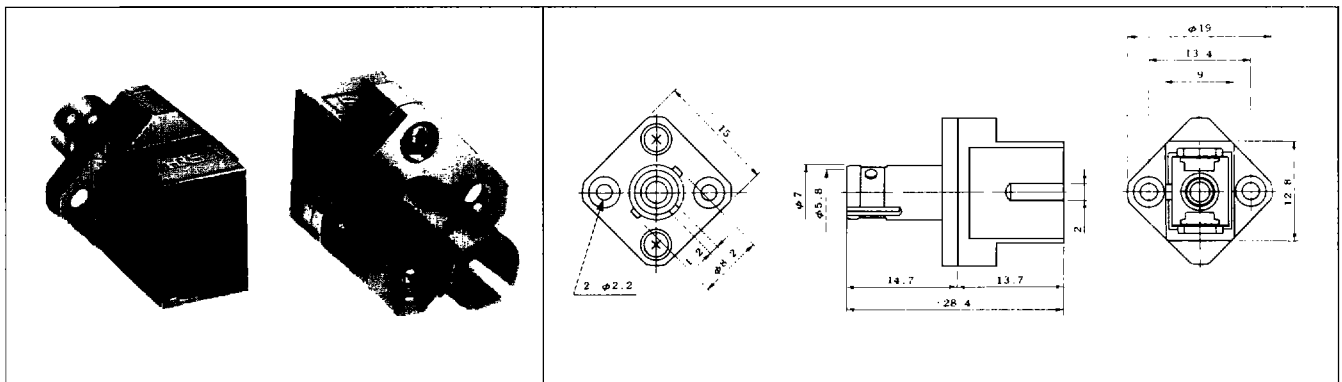


HRS No.	Part No.	Remark
CL704-0021-3	HSCJ-HRFCJ-B	SC-FC Converter Adaptor
CL704-0096-2	HSCJ-HRFCJ-A	SC-FC Converter Adaptor SC side housing: Plastic

# OF OPTICAL FIBER CONNECTOR



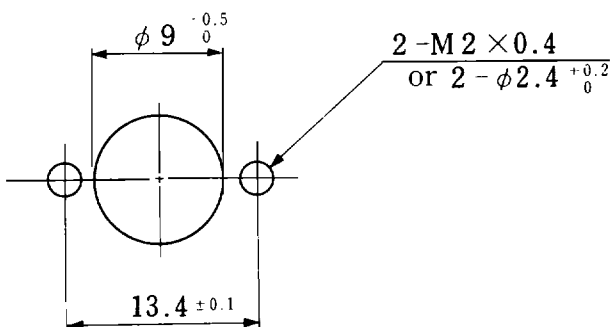
HRS No.	Part No.	Remark
CL704-0206-9	HSCJ-HRFCJ-C	SC-FC Converter Adaptor



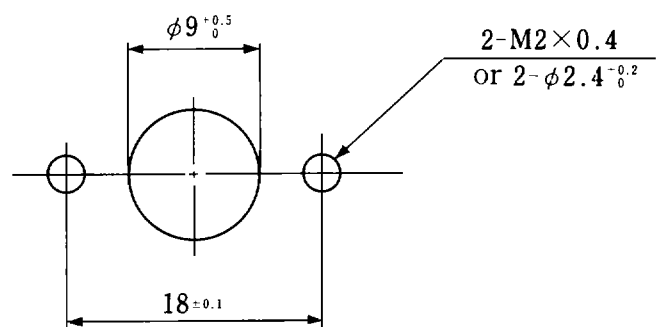
HRS No.	Part No.	Remark
CL704-0102-3	HSCJ-HSTJ-B	SC-ST Converter Adaptor

## ● MOUNTING HOLE

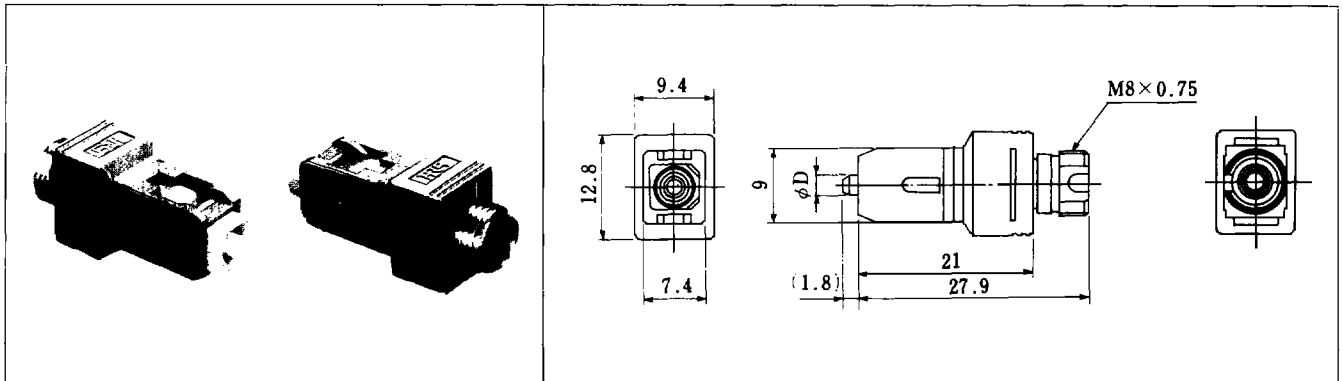
● HSCJ-HRFCJ-B  
HSCJ-HSTJ-B



● HSCJ-HRFCJ-C

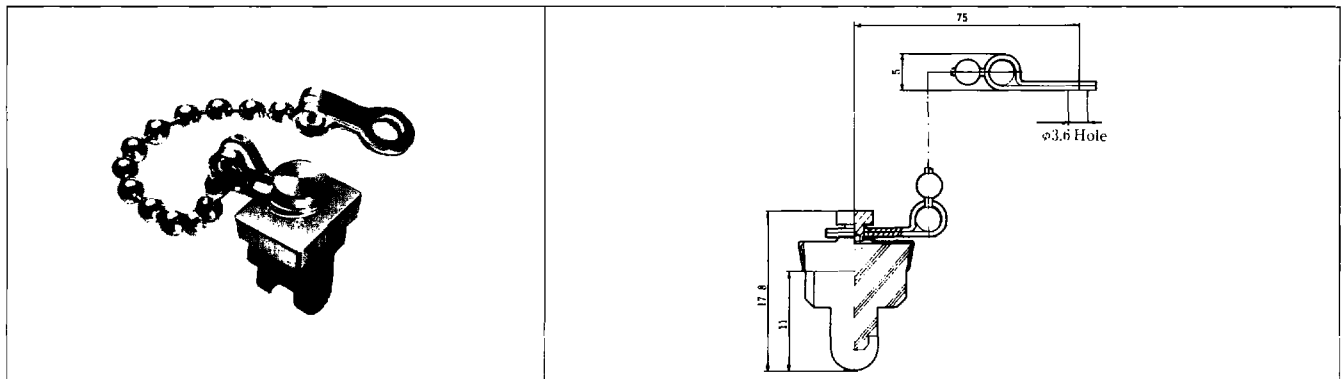


# OF OPTICAL FIBER CONNECTOR



HRS No.	Part No.	Remark
CL704-0203-0	HSCP-HRFCJ-1	$\phi$ D.DIMENSION: HSCP-HRFCJ-1: $\phi 2.499 \pm 0.001$ (for GI) HSCP-HRFCJ-2: $\phi 2.499 \pm 0.0005$ (for SM) The guide key on the FC plug end does not necessarily fit the guide slot in the SC adapter end.
CL704-0204-3	HSCP-HRFCJ-2	

## ● CAP

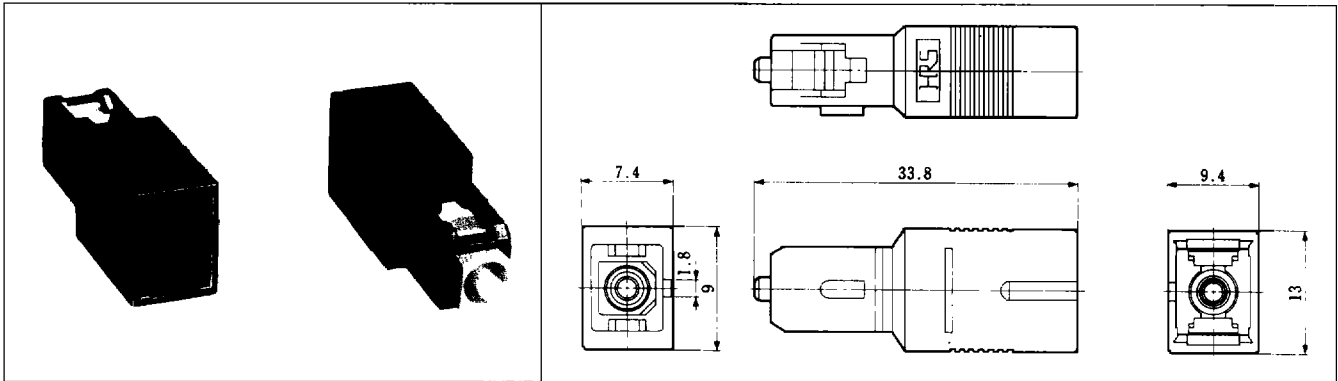


HRS No.	Part No.	Application Products
CL704-0061-8	HSC-C2	HSC-A2,HSC-A3,HSCJ-HRFCJ-B,C HSCJ-HSTJ-B,HSC-R1-B,HSC-R2-B



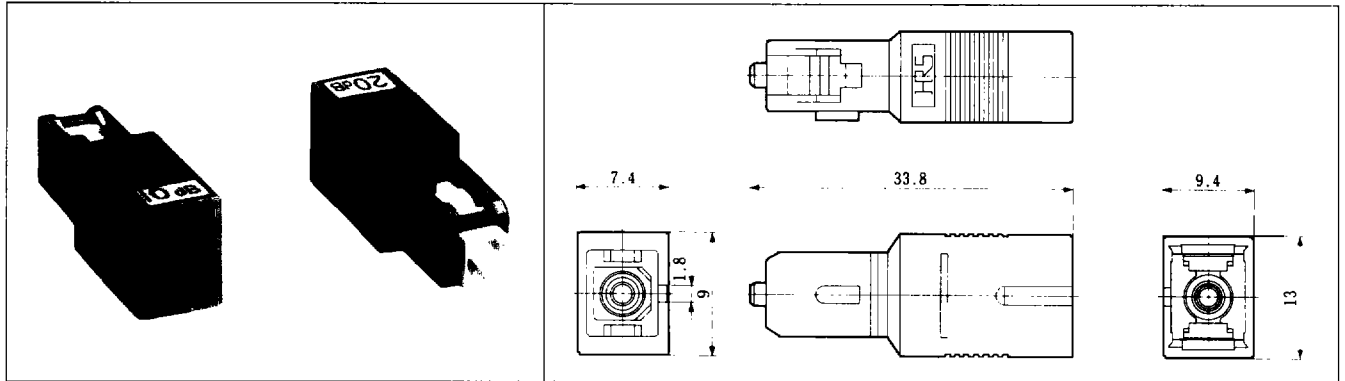
# OF OPTICAL FIBER CONNECTOR

## ● FIXED ATTENUATOR



HRS No.	Part No.	Attenuation ( $\pm 1.5\text{dB}$ )	Split sleeve specification	Return loss	Remark		
CL704-0088-4-01	HSC-AT1S-B05A(01)	5dB	Copper alloy	>22dB	SGI- 50/125		
CL704-0089-7-01	HSC-AT1S-B10A(01)	10dB					
CL704-0090-6-01	HSC-AT1S-B15A(01)	15dB					
CL704-0091-9-01	HSC-AT1S-B20A(01)	20dB					
CL704-0228-1	HSC-AT4S-B05A	5dB	Zirconia			>22dB	SGI- 50/125
CL704-0229-4	HSC-AT4S-B10A	10dB					
CL704-0230-3	HSC-AT4S-B15A	15dB					
CL704-0231-6	HSC-AT4S-B20A	20dB					

# OF OPTICAL FIBER CONNECTOR

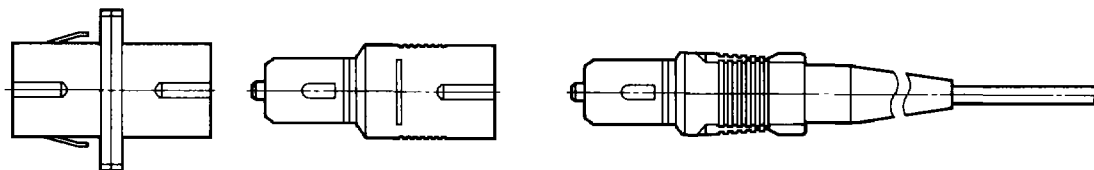


HRS No.	Part No.	Attenuation ( $\pm 1.5\text{dB}$ )	Split sleeve specification	Return loss	Remark
CL704-0084-3-01	HSC-AT1S-A05A(01)	5dB	Copper alloy	>22dB	SM- 9.5/125
CL704-0085-6-01	HSC-AT1S-A10A(01)	10dB			
CL704-0086-9-01	HSC-AT1S-A15A(01)	15dB			
CL704-0087-1-01	HSC-AT1S-A20A(01)	20dB			
CL704-0212-1	HSC-AT1K-A05A	5dB		>40dB	
CL704-0213-4	HSC-AT1K-A10A	10dB			
CL704-0214-7	HSC-AT1K-A15A	15dB		Zirconia	
CL704-0215-0	HSC-AT1K-A20A	20dB			
CL704-0232-9	HSC-AT4S-A05A	5dB	>22dB		
CL704-0233-1	HSC-AT4S-A10A	10dB			
CL704-0234-4	HSC-AT4S-A15A	15dB	>40dB		
CL704-0235-7	HSC-AT4S-A20A	20dB			
CL704-0236-0	HSC-AT4K-A05A	5dB			
CL704-0237-2	HSC-AT4K-A10A	10dB			
CL704-0238-5	HSC-AT4K-A15A	15dB			
CL704-0239-8	HSC-AT4K-A20A	20dB			

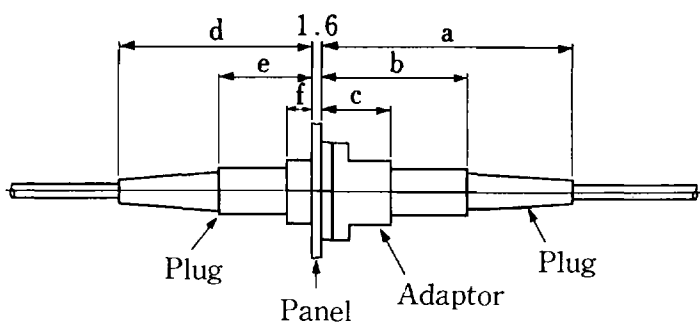
Note: Allowable power: 10 mW

# OF OPTICAL FIBER CONNECTOR

## ● APPLICATION PATTERN



## ● DIMENSION

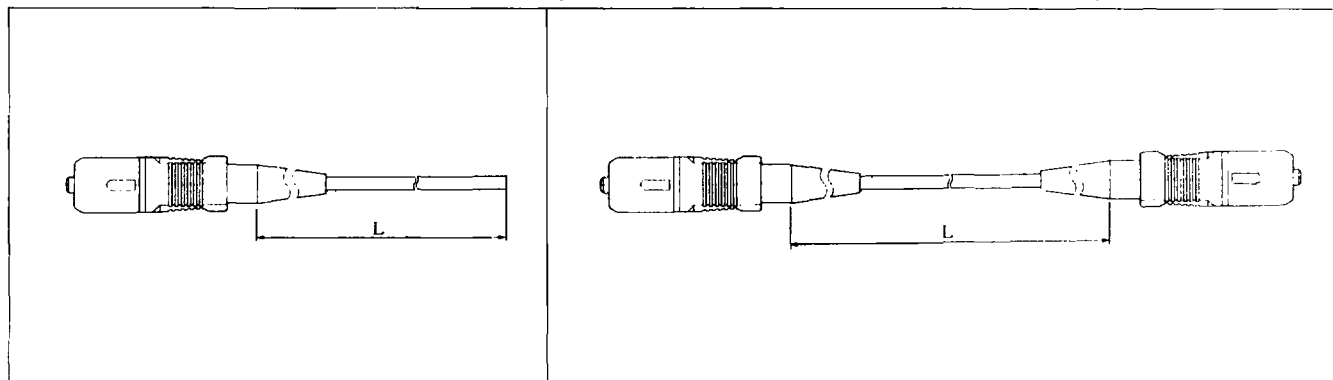


Unit: mm

Application		Dimension					
Adaptor	Housing	a	b	c	d	e	f
HSC-A2 HSC-A2-D1 HSC-A3 HSC-A3-D1	HSC-PH2-A2	58	28	15.2	53.4	23.4	10.6
	HSC-PH2-B1						
	HSC-PH2-B2						
	HSC-PH3-A2						
	HSC-PH3-B1						
	HSC-PH3-B2						
	HSC-PH2-A4	39.5	28	15.2	31.4	23.5	10.6
	HSC-PH3-A4	36	26	15.2	31.4	21.4	8.9
	HSC-PH1-A						
HSC2-4A HSC2-4A-D1 HSC2-5A HSC2-5A-D1	HSC2-PH2-A2	58	—	13.5	53.4	—	8.9
	HSC2-PH2-B1						
	HSC2-PH2-B2						
	HSC2-PH3-A2						
	HSC2-PH3-B1						
	HSC2-PH3-B2						
	HSC2-PH3-A	39.5	—	13.5	34.9	—	8.9
	HSC2-PH1-A	36	—	13.5	31.4	—	8.9
HSC-R1-B HSC-R2-B	HSC-PH2-A	57.5	27.5	14.7	—	—	—
	HSC-PH3-A						

# OF OPTICAL FIBER CONNECTOR

## ● CONNECTOR WITH HOOD (HAND LOCK RELEASE TYPE)



Part No.	Description	Optical Fiber	Polishing	Cord Dia.	Housing	Return loss		
HSC-SP1-F3A-L	One end	SM-9.5/125	PC (R20)	φ 3	HSC-PH3-A2	>22dB		
HSC-SP2-F3A-L	Both ends							
HSC-SP1-F3B-L	One end	SGI-50/125						
HSC-SP2-F3B-L	Both ends							
HSC-FP1-F3A-L	One end	SM-9.5/125	Flat			φ 2	HSC-PH2-A2	—
HSC-FP2-F3A-L	Both ends							
HSC-FP1-F3B-L	One end	SGI-50/125						
HSC-FP2-F3B-L	Both ends							
HSC-SP1-F3Q-L	One end	SM-9.5/125	PC (R20)	φ 2	HSC-PH2-A2			>22dB
HSC-SP2-F3Q-L	Both ends							
HSC-SP1-F3P-L	One end	SGI-50/125						
HSC-SP2-F3P-L	Both ends							
HSC-FP1-F3Q-L	One end	SM-9.5/125	Flat			φ 3	HSC-PH3-A2(18)	>40dB (low reflection)
HSC-FP2-F3Q-L	Both ends							
HSC-FP1-F3P-L	One end	SGI-50/125						
HSC-FP2-F3P-L	Both ends							
HSC-ASP1-F3A-L	One end	SM-9.5/125	Advanced PC (R20)	φ 2	HSC-PH2-A2(18)			>60dB (Ultra low reflection)
HSC-ASP2-F3A-L	Both ends							
HSC-ASP1-F3Q-L	One end		Convex PC	φ 3	HSC-PH3-A5			
HSC-ASP2-F3Q-L	Both ends							
HSC-TSP1-F3A-L	One end		φ 2	HSC-PH2-A5				
HSC-TSP2-F3A-L	Both ends							
HSC-TSP1-F3Q-L	One end							
HSC-TSP2-F3Q-L	Both ends							

(Note 1) L is cord length in meters

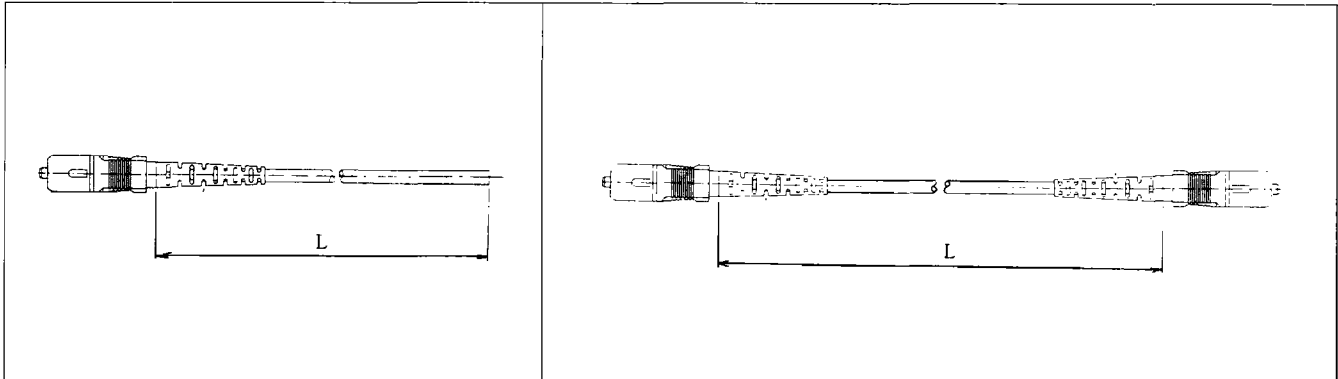
When ordering, specify the length in meters.

(Note 2) We will make Tool-Lock Release Type and Various Converter cord except the above list if required.

# OF OPTICAL FIBER CONNECTOR

## ● CONNECTOR WITH CORD

(HAND-LOCK RELEASE TYPE, STRENGTHENED CABLE CLAMP TYPE)



Part No.	Description	Optical Fiber	Polishing	Cord Dia.	Housing	Return loss	
HSC-SPC1-F3A-L	One end	SM-9.5/125	PC (R20)	$\phi$ 3	HSC-PH3-B1	> 22dB	
HSC-SPC2-F3A-L	Both ends						
HSC-SPC1-F3B-L	One end	SGI-50/125					
HSC-SPC2-F3B-L	Both ends						
HSC-FPC1-F3A-L	One end	SM-9.5/125	Flat		$\phi$ 2	HSC-PH2-B1	—
HSC-FPC2-F3A-L	Both ends						
HSC-FPC1-F3B-L	One end	SGI-50/125					
HSC-FPC2-F3B-L	Both ends						
HSC-SPC1-F3Q-L	One end	SM-9.5/125	PC (R20)	$\phi$ 3		HSC-PH3-B2	> 40dB (low reflection)
HSC-SPC2-F3Q-L	Both ends						
HSC-SPC1-F3P-L	One end	SGI-50/125					
HSC-SPC2-F3P-L	Both ends						
HSC-FPC1-F3Q-L	One end	SM-9.5/125	Flat		$\phi$ 2	HSC-PH2-B2	—
HSC-FPC2-F3Q-L	Both ends						
HSC-FPC1-F3P-L	One end	SGI-50/125					
HSC-FPC2-F3P-L	Both ends						
HSC-ASPC1-F3A-L	One end	SM-9.5/125	Advanced PC (R20)	$\phi$ 3		HSC-PH3-B5	> 60dB (Ultra low reflection)
HSC-ASPC2-F3A-L	Both ends						
HSC-ASPC1-F3Q-L	One end			$\phi$ 2		HSC-PH2-B5	
HSC-ASPC2-F3Q-L	Both ends						
HSC-TSPC1-F3A-L	One end	SM-9.5/125	Convex PC	$\phi$ 3	HSC-PH3-B5	> 60dB (Ultra low reflection)	
HSC-TSPC2-F3A-L	Both ends						
HSC-TSPC1-F3Q-L	One end			$\phi$ 2	HSC-PH2-B5		
HSC-TSPC2-F3Q-L	Both ends						

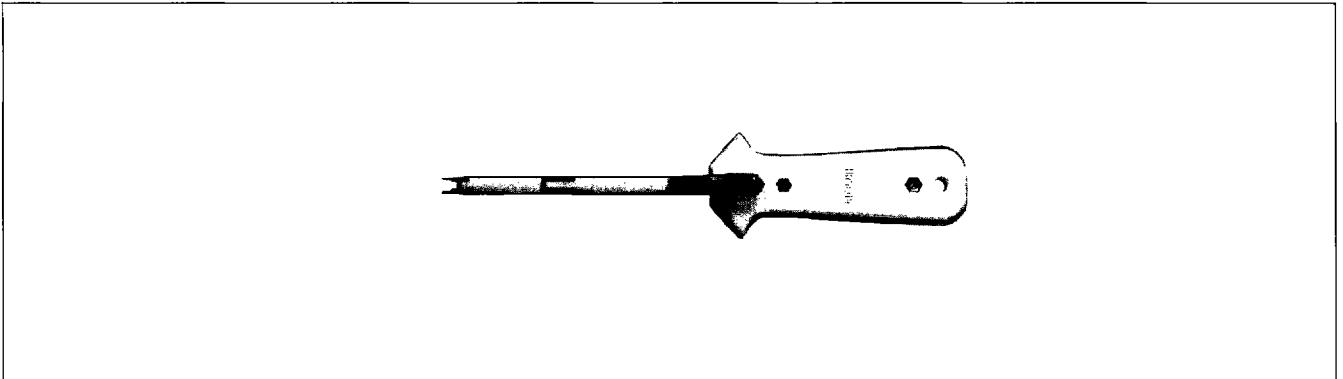
(Note 1) L is cord length in meters.

When ordering, specify the length in meters.

(Note 2) We will make Tool-Lock Release Type and Various Converter cord except the above list if required.

# OF OPTICAL FIBER CONNECTOR

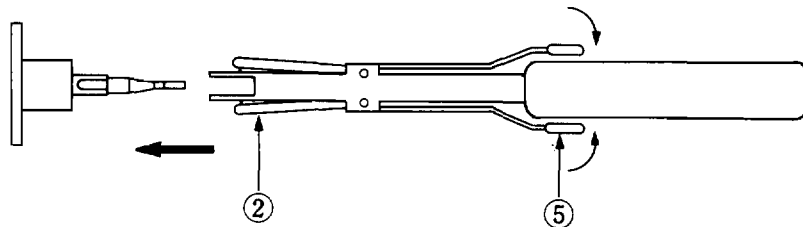
## ● LOCK RELEASE TOOL



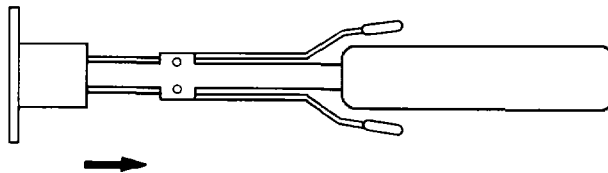
HRS No.	Part No.	Applicable Products
—	HSC-T1	HSC2-PH2-A2, HSC2-PH3-A2, HSC2-PH2-A HSC2-PH3-A, HSC2-PH1-A, HSC2-PH2-B1, HSC2-PH2-B2, HSC2-PH3-B1, HSC2-PH3-B2 (Plug) HSC2-4A, HSC2-4A-D1, HSC2-5A, HSC2-5A-D1 (Adaptor)

### How to Operate

1. Push the Levers ⑤ in the arrow directions. When the levers ⑤ go down, the parts ② are open.



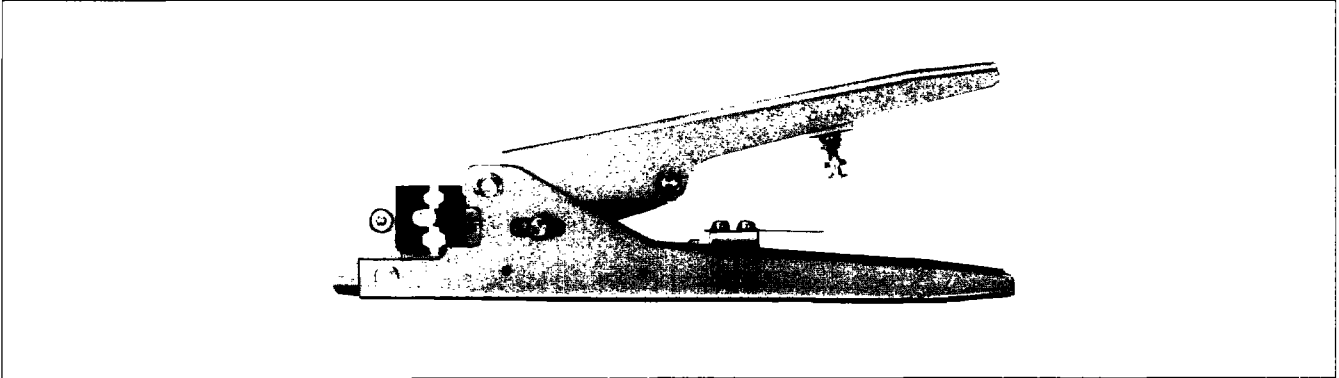
2. After the HSC Lock-Release Tool is inserted into Adaptor, let go hold of the parts ⑤ and pull the tool in the arrow direction. Withdrawal is completed.



# OF OPTICAL FIBER CONNECTOR

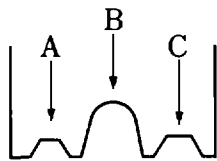
## ● HAND CRIMP TOOL

(Hand Crimp Tool is required when assembling cord except Fibre Cord Housing HSC-PH1-A and HSC2-PH1-A.)

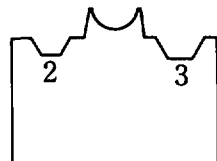


HRS No.	Part No.	Applicable Products
CL704-0028-2	HSC-T2	HSC-PH2-A2、HSC-PH3-A2 HSC-PH2-A4、HSC-PH3-A4 HSC2-PH2-A2、HSC2-PH3-A2 HSC2-PH2-A、HSC2-PH3-A2 HSC-PH2-A5、HSC-PH3-A5 HSC-PH2-B1、HSC-PH3-B1 HSC-PH2-B2、HSC-PH3-B2 HSC2-PH2-B1、HSC2-PH3-B1 HSC2-PH2-B2、HSC2-PH2-B2

### How to Operate



- (1) Cord Jacket Crimp  
 $\phi$  2 Cord: A part used Part "2"  
 $\phi$  3 Cord: B part used Part "3"



- (2) Kevlar Crimp  
 B part used