

Silicon NPN Power Transistors

2SC1002

DESCRIPTION

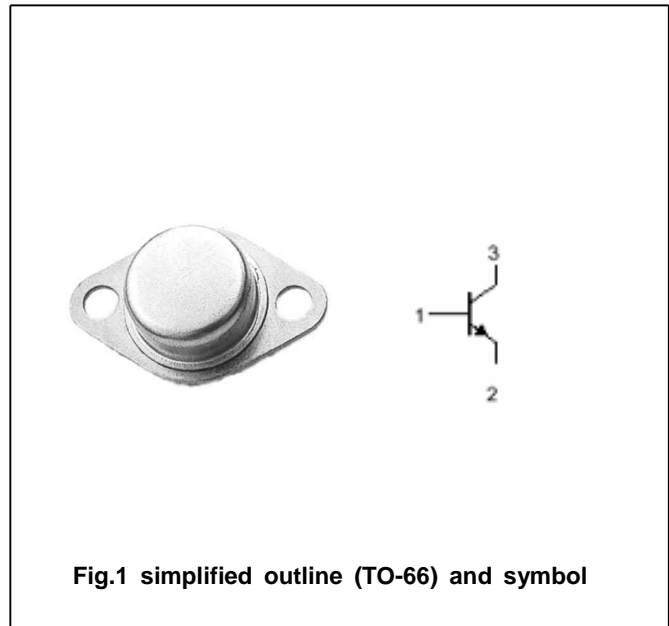
- With TO-66 package
- High voltage
- High transition frequency

APPLICATIONS

- For color TV video output applications

PINNING (See Fig.2)

PIN	DESCRIPTION
1	Base
2	Emitter
3	Collector

**Absolute maximum ratings(Ta=25?)**

SYMBOL	PARAMETER	CONDITIONS	VALUE	UNIT
V_{CBO}	Collector-base voltage	Open emitter	300	V
V_{CEO}	Collector-emitter voltage	Open base	300	V
V_{EBO}	Emitter-base voltage	Open collector	5	V
I_C	Collector current		50	mA
P_T	Total power dissipation	$T_C=25?$	11	W
T_j	Junction temperature		150	?
T_{stg}	Storage temperature		-55~150	?

PACKAGE OUTLINE

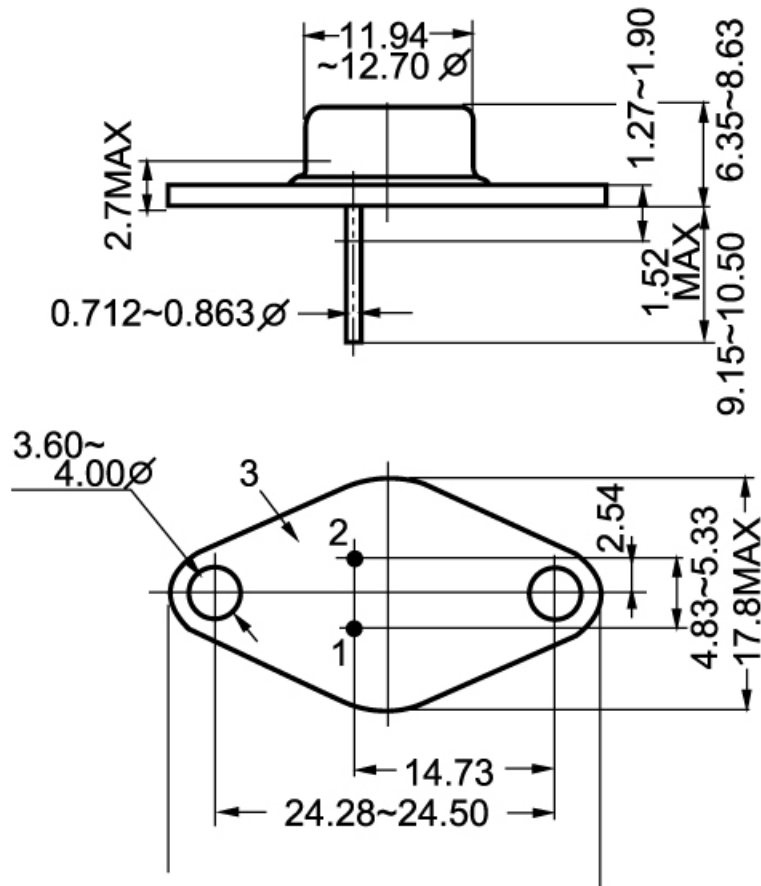


Fig.2 Outline dimensions