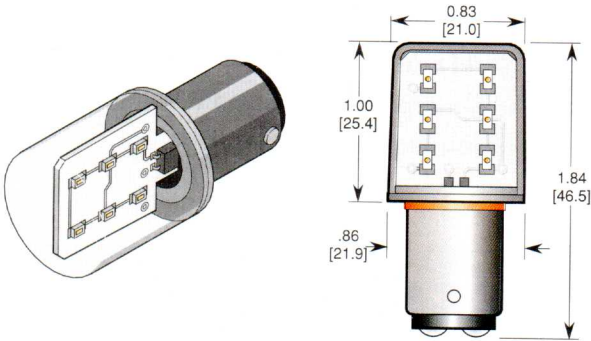




# StackLED® SMT LED Lamps

## Series STL627

(15mm DC Bayonet Base)

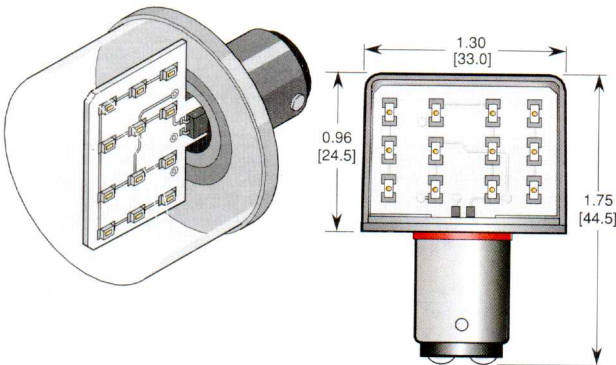


Part Number	LED Color Code*	Volts**	Current (mA)	Total mcd	Use on†
STL627-01-01	RED	24V BP	60	540	Allen Bradley/Rockwell (855T)
STL627-02-01	ORANGE	24V BP	60	720	
STL627-03-01	GREEN	24V BP	45	3600	
STL627-04-01	YELLOW	24V BP	60	720	PATLITE/Sasaki Electric (LH/ WM/ST Series)
STL627-05-01	BLUE	24V BP	45	920	
STL627-06-01	WHITE	24V BP	45	3260	
STL627-01-02	RED	120VAC	20	540	Tenor Control (T56; TL56)
STL627-02-02	ORANGE	120VAC	20	720	
STL627-03-02	GREEN	120VAC	15	3600	
STL627-04-02	YELLOW	120VAC	20	720	Joslyn Clark Controls (SL System)
STL627-05-02	BLUE	120VAC	15	920	
STL627-06-02	WHITE	120VAC	15	3260	
STL627-01-03	RED	12V BP	60	540	Tork
STL627-02-03	ORANGE	12V BP	60	720	
STL627-03-03	GREEN	12V BP	90	3600	
STL627-04-03	YELLOW	12V BP	60	720	Edwards (101 Adaptalight)
STL627-05-03	BLUE	12V BP	90	920	
STL627-06-03	WHITE	12V BP	90	3260	

Custom Options: (for qualified applications) 240VAC PN Example: STL627-04-04 (Yellow)

## Series STL628

(15mm DC Bayonet Base)

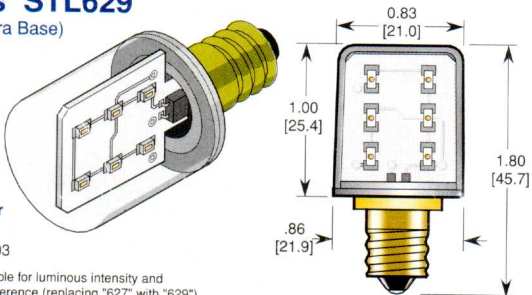


Part Number	LED Color Code*	Volts**	Current (mA)	Total mcd	Use on†
STL628-01-01	RED	24V BP	120	1080	Allen Bradley/Rockwell (855T)
STL628-02-01	ORANGE	24V BP	120	1440	
STL628-03-01	GREEN	24V BP	90	7200	
STL628-04-01	YELLOW	24V BP	120	1440	PATLITE/Sasaki Electric (LH/ WM/ST Series)
STL628-05-01	BLUE	24V BP	90	1840	
STL628-06-01	WHITE	24V BP	90	6520	
STL628-01-02	RED	120VAC	40	1080	Tenor Control (T56; TL56)
STL628-02-02	ORANGE	120VAC	40	1440	
STL628-03-02	GREEN	120VAC	30	7200	
STL628-04-02	YELLOW	120VAC	40	1440	Joslyn Clark Controls (SL System)
STL628-05-02	BLUE	120VAC	30	1840	
STL628-06-02	WHITE	120VAC	30	6520	
STL628-01-03	RED	12V BP	120	1080	Tork
STL628-02-03	ORANGE	12V BP	120	1440	
STL628-03-03	GREEN	12V BP	180	7200	
STL628-04-03	YELLOW	12V BP	120	1440	Federal Signal (LSB/LSL Litestak)
STL628-05-03	BLUE	12V BP	180	1840	
STL628-06-03	WHITE	12V BP	180	6520	

Custom Options: (for qualified applications) 240VAC PN Example: STL628-01-04 (Red)

## Series STL629

(Candelabra Base)

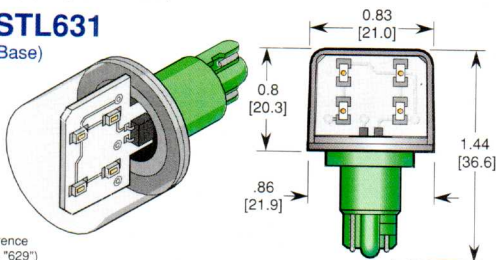


Part Number Example: STL629-02-03

See STL627 table for luminous intensity and part number reference (replacing "627" with "629")

## Series STL631

(9mm Wedge Base)

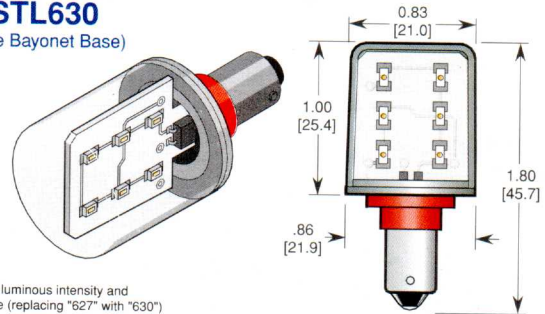


Part Number Example: STL631-03-01

See STL627 table for part number reference (replacing "627" with "629")  
Multiply current & luminous intensity by 2/3rds (x0.66)

## Series STL630

(9mm Miniature Bayonet Base)

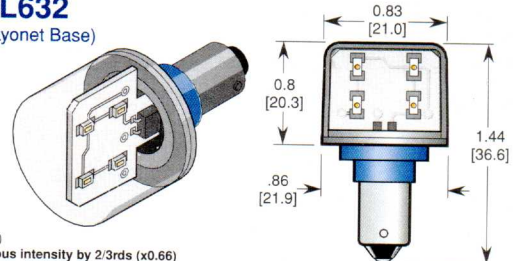


Part Number Example: STL630-01-02

See STL627 table for luminous intensity and part number reference (replacing "627" with "630")

## Series STL632

(9mm Miniature Bayonet Base)



Part Number Example: STL632-05-02

See STL627 table for part number reference (replacing "627" with "629")  
Multiply current & luminous intensity by 2/3rds (x0.66)

Specifications subject to change without notice.

• All Lamps are Bipolar (AC & DC Compatible)

• Three-Year Lamp Warranty

**LEDTRONICS, INC.®**  
THE FUTURE OF LIGHT



23105 Kashiwa Court, Torrance, CA 90505  
Phone: (800) 579-4875 or (310) 534-1505  
Fax: (310) 534-1424  
E-mail: webmaster@ledtronics.com  
Website: www.ledtronics.com

Log # 015D Rev 02-2001