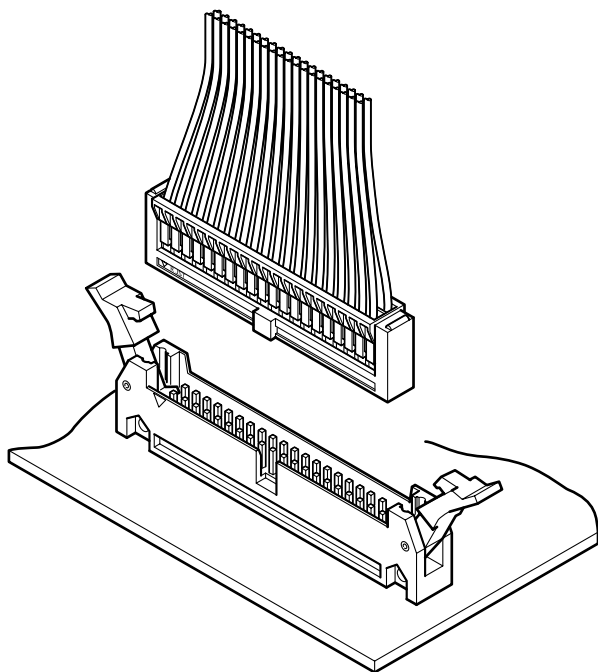


RA CONNECTOR

Disconnectable Crimp style connectors



Crimp style receptacles that are designed to mate with headers conforming to MIL-C-83503. The low insertion force contacts reduce surface finish wear and resist stress relaxation very well.



Features

• **Secure locking mechanism (RA, RX headers)**

The locking levers are engaged by inserting the receptacle into the header. This ensures a firm connection that's highly resistant to impact and vibration.

• **Housing lances**

The contact retention lances on the resilient housing allow visual confirmation of contact lock-in for easy and secure insertion.

• **Low insertion force contact**

The low insertion force contacts reduce surface finish wear and reduce the effects of stress relaxation.

• **Anti-misinsertion feature**

The guide devices of both housing and header prevent reverse connector insertion.

Specifications

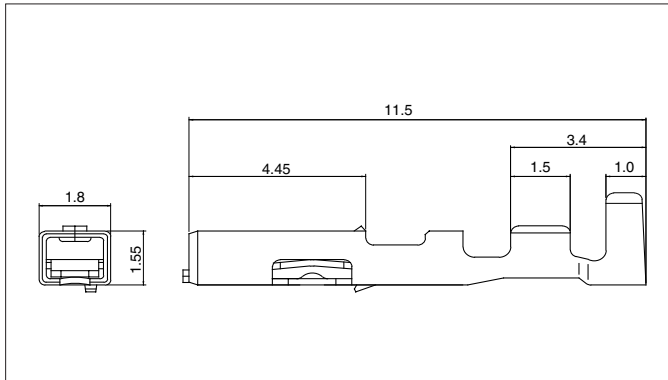
- Current rating: 1.0A AC, DC (AWG #22)
- Voltage rating: 300V AC, DC
- Temperature range: -55°C to +85°C
(including temperature rise in applying electrical current)
- Contact resistance: Initial value/15m Ω max.
After environmental testing/30m Ω max.
- Insulation resistance: 1,000M Ω min.
- Withstanding voltage: 1,000V AC/minute
- Applicable wire: AWG #26 to #22
- Applicable PC board thickness: 1.6mm
- * Compliant with RoHS.
- * Refer to "General Instruction and Notice when using Terminals and Connectors" at the end of this catalog.
- * Contact JST for details.

Standards

Recognized E60389

RA CONNECTOR

Contact



| Model No. | Applicable wire | | | Q'ty / reel |
|------------------|-----------------|----------|----------------------|-------------|
| | mm ² | AWG # | Insulation O.D. (mm) | |
| RA-SC1290 | 0.13 to 0.33 | 26 to 22 | 1.3 to 1.7 | 8,000 |

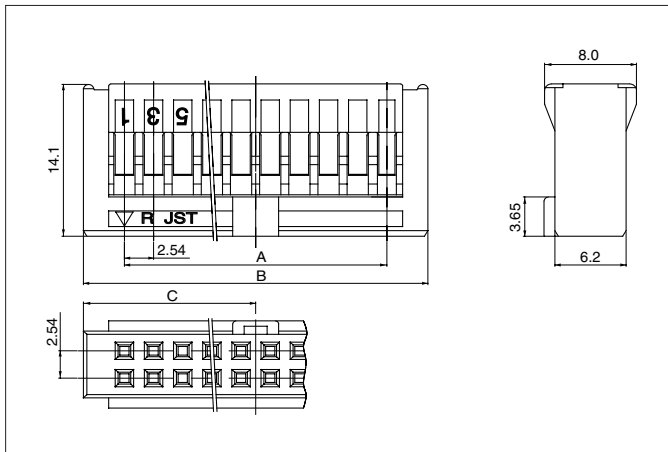
Material and Finish

Phosphor bronze, tin-plated (reflow treatment)

RoHS compliance

Note: Contact JST for gold-plated contacts.

Housing



| Circuits | Model No. | Dimensions (mm) | | | Q'ty / box |
|----------|----------------|-----------------|-------|-------|------------|
| | | A | B | C | |
| 10 | RA-1011 | 10.16 | 17.50 | 8.75 | 500 |
| 16 | RA-1611 | 17.78 | 25.12 | 12.56 | 500 |
| 20 | RA-2011 | 22.86 | 30.20 | 15.10 | 500 |
| 26 | RA-2611 | 30.48 | 37.82 | 18.91 | 250 |
| 30 | RA-3011 | 35.56 | 42.90 | 21.45 | 200 |
| 34 | RA-3411 | 40.64 | 47.98 | 23.99 | 250 |
| 40 | RA-4011 | 48.26 | 55.60 | 27.80 | 200 |
| 50 | RA-5011 | 60.96 | 68.30 | 34.15 | 200 |
| 60 | RA-6011 | 73.66 | 81.00 | 40.50 | 250 |

Material

Glass-filled PBT, UL94V-0, black

RoHS compliance

Header

The following headers are applicable to the above Housing.

| Circuits | RA header | | RX header | | RK header | |
|----------|-----------------------|-----------------------|-----------------------|-----------------------|-----------------------|-----------------------|
| | Top entry type | Side entry type | Top entry type | Side entry type | Top entry type | Side entry type |
| 10 | RA-H101TD-1190 | RA-H101SD-1190 | — | — | — | — |
| 16 | RA-H161TD-1190 | RA-H161SD-1190 | — | — | — | — |
| 20 | RA-H201TD-1190 | RA-H201SD-1190 | RX-H201TD-1190 | RX-H201SD-1190 | — | — |
| 26 | RA-H261TD-1190 | RA-H261SD-1190 | — | — | — | — |
| 30 | RA-H301TD-1190 | — | — | — | — | — |
| 34 | RA-H341TD-1190 | RA-H341SD-1190 | RX-H341TD-1190 | RX-H341SD-1190 | RK-H341TD-0190 | RK-H341SD-0190 |
| 40 | RA-H401TD-1190 | RA-H401SD-1190 | RX-H401TD-1190 | RX-H401SD-1190 | RK-H401TD-0190 | RK-H401SD-0190 |
| 50 | RA-H501TD-1190 | RA-H501SD-1190 | RX-H501TD-1190 | RX-H501SD-1190 | — | — |
| 60 | RA-H601TD-1190 | RA-H601SD-1190 | RX-H601TD-1190 | RX-H601SD-1190 | — | — |

RoHS compliance This product displays (LF)(SN) on a label.

Note: Contact JST for gold-plated headers.

Crimping machine, Applicator

| Contact | Crimping machine | Crimp applicator | Dies | Crimp applicator with dies |
|------------------|------------------|------------------|-------------|----------------------------|
| RA-SC1290 | AP-K2N | MKS-L | MK/RA-SC12 | APLMK RA-SC12 |
| | | *MKS-SC | *SC/RA-SC12 | APLSC RA-SC12 |

Note: *Strip-crimp applicator