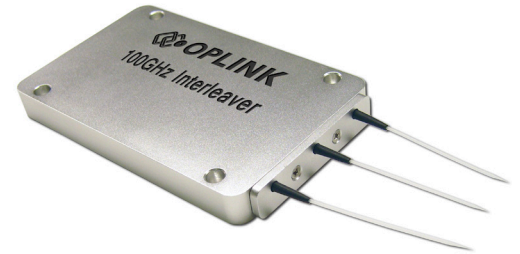


GREEN 100GHz Compact Fiber Optical Interleaver

CFOI100 Series

Product Description

Oplink's compact, low-dispersion interleavers greatly expand wavelength channel counts in DWDM systems. Oplink's DWDM interleavers feature excellent wide, flat passbands and high isolation. Both mux and demux functions are supported. Interleavers are athermal and do not require temperature control.



Performance Specification

CFOI100 Series		Min	Typical	Max	Unit
Center Wavelength Range	C-Band	1529.55		1561.42	nm
	L-Band	1569.59		1604.03	nm
Center Frequency Range	C-Band	192000		196000	Ghz
	L-Band	186900		191000	GHz
Channel Center Wavelength		ITU Grid			
Input Channel Spacing			100		GHz
Output Channel Spacing			200		GHz
Clear Bandwidth			± 15		GHz
Insertion Loss ^[1]			1.2	1.8	dB
Ripple			0.2	0.4	dB
Insertion Loss Uniformity			0.3	0.5	dB
Adjacent Channel Isolation		23	25		dB
Polarization Dependent Loss (PDL)			0.2	0.3	dB
Polarization Mode Dispersion (PMD)			0.2	0.3	ps
Chromatic Dispersion		- 20		+ 20	ps/nm
Return Loss		40	45		dB
Directivity		50	55		dB
Operating Power Handling				24	dBm
Operating Temperature			0 to +65		°C
Storage Temperature			-40 to +85		°C
Fiber Type		G.657.A1 or equivalent			
Package Dimensions ^[3]		100.5 (L) x 60.0 (W) x 10.3 (H)			mm

Note:

[1] The maximum IL is under all states of polarization and within the full operating temperature and wavelength ranges specified.

[2] All spec excluding connectors

[3] The mechanical tolerance should be +/-0.2mm on all package dimensions unless otherwise custom specified.

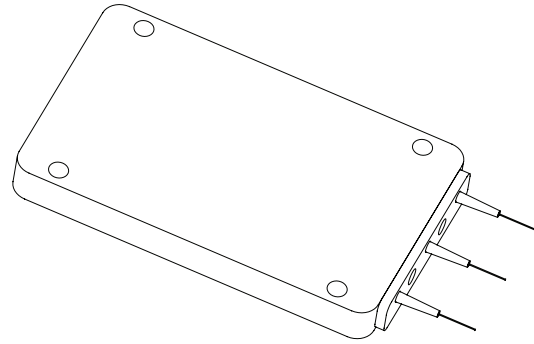
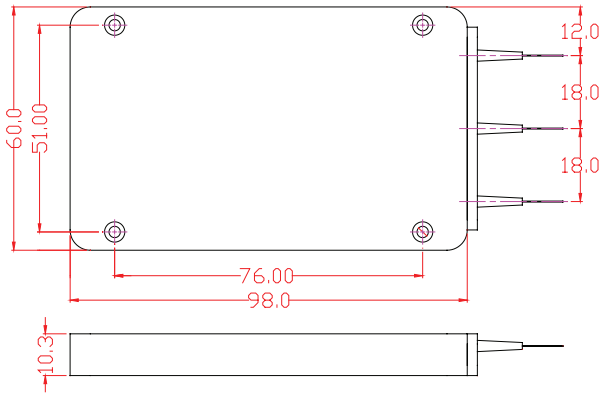
Features

- ◆ Low Insertion Loss
- ◆ High Isolation
- ◆ Low Dispersion
- ◆ Highly Stable & Reliable
- ◆ Epoxy-Free Optical Path
- ◆ Compact Size
- ◆ Completely Passive
- ◆ Athermal Design

Applications

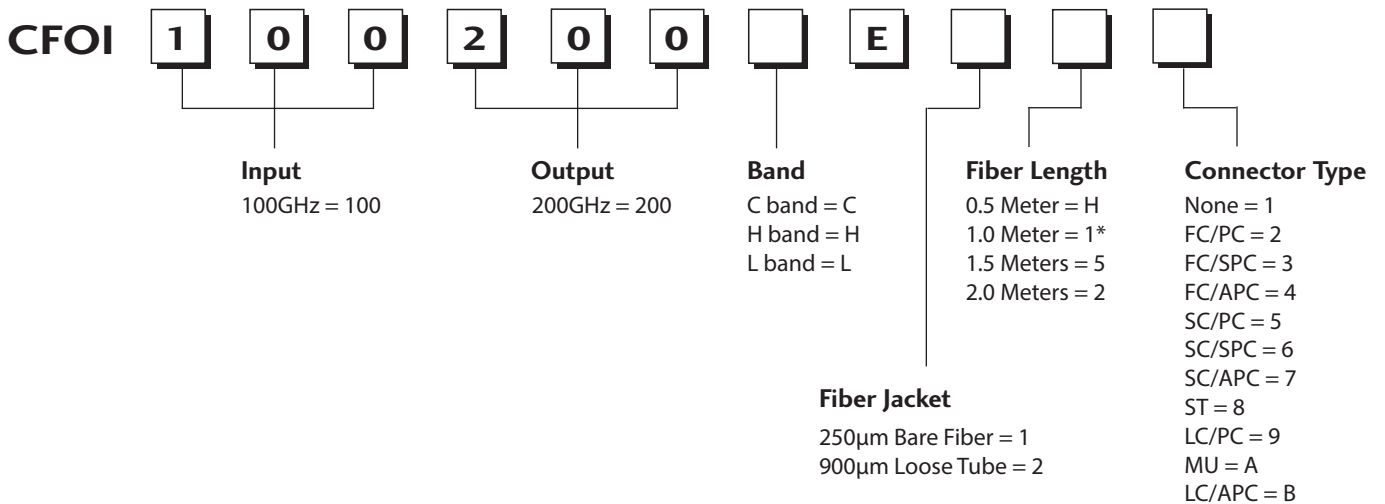
- ◆ DWDM Systems
- ◆ Extend Network Capacity

Mechanical Drawing / Package Dimensions (dimension in mm)



Ordering Information

Oplink can provide a remarkable range of customized optical solutions. For detail, please contact Oplink's OEM design team or account manager for your requirements and ordering information (510) 933-7200.



* The tolerance of fiber length is +/-0.1m. 1 meter is standard. The lead-time for special fiber length will be longer.