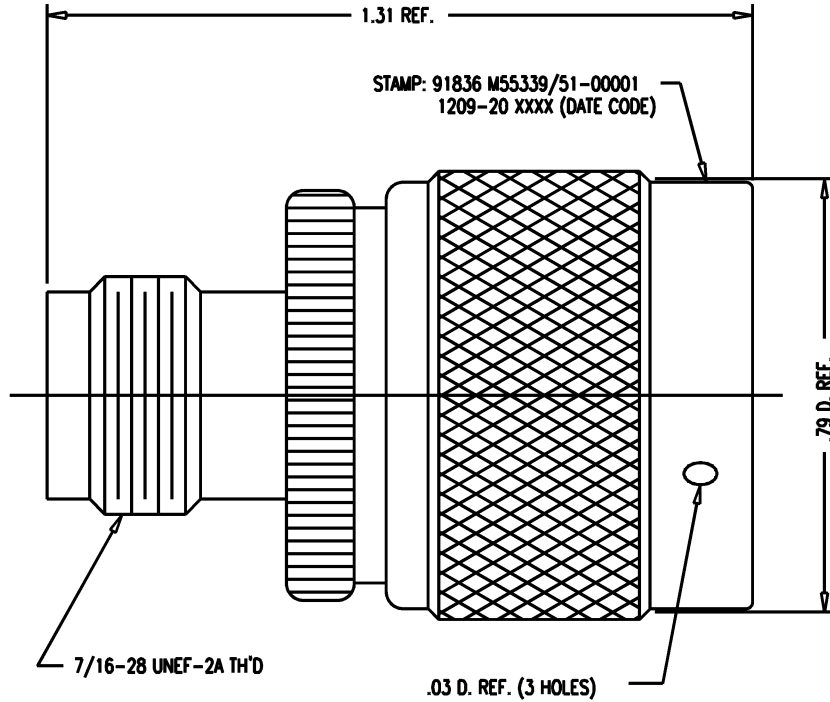


# GSD



- NOTES:**
1. TNC INTERFACE PER MIL-STD-348, FIG. 313-2 & N INTERFACE PER MIL-STD-348, FIG. 304-1.
  2. MATERIALS:
    - INSULATOR-TEFLON, ASTM-D-4894
    - GASKET-SILICONE RUBBER, ZZ-R-765
    - C-RING-PHOS. BRONZE, ASTM-B-135
    - OUTER CONTACT } BER. COP., ASTM-B-196
    - CENTER CONTACT }
    - ALL OTHER METAL PARTS-BRASS, ASTM-B16
  3. FINISHES:
    - CENTER CONTACT-GOLD PLATE PER MIL-STD-45204
    - ALL OTHER METAL PARTS-SILVER PLATE PER QQ-S-365
  4. ELECTRICAL CHARACTERISTICS:
    - FREQUENCY RANGE-DC TO 11 GHZ
    - NOMINAL IMPEDANCE-50 OHMS
    - WORKING VOLTAGE-500 VRMS

M55339/51-00001

REVISIONS	
ISSUE	CHANGES
5	CN 36540 C REDRAWN KH 08/30/95

SCALE	4:1	
APPROX SURFACE AREA	1209-20	
USED ON		
REF:	ADPT, TNC-N, F-M	
DRAWN	KH	08/30/95
DESIGN	AR	08/31/95
APPR.		DATE

**KINGS**  
ELECTRONICS CO., INC.  
TUCKAHOE, NEW YORK 10707

M55339/51-00001

# GSD

KAM6027