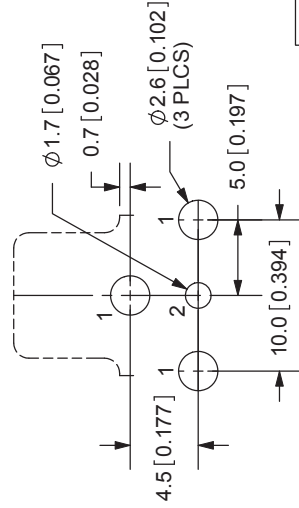
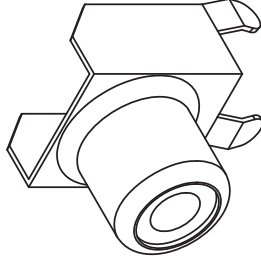
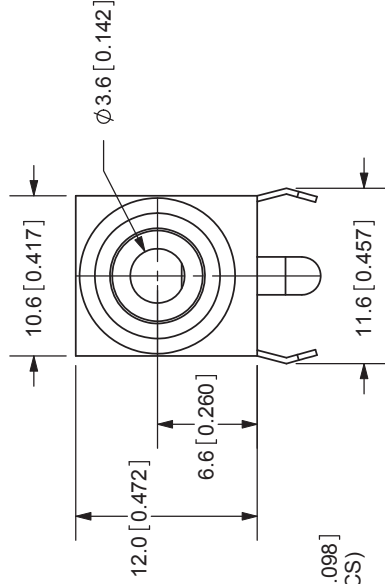
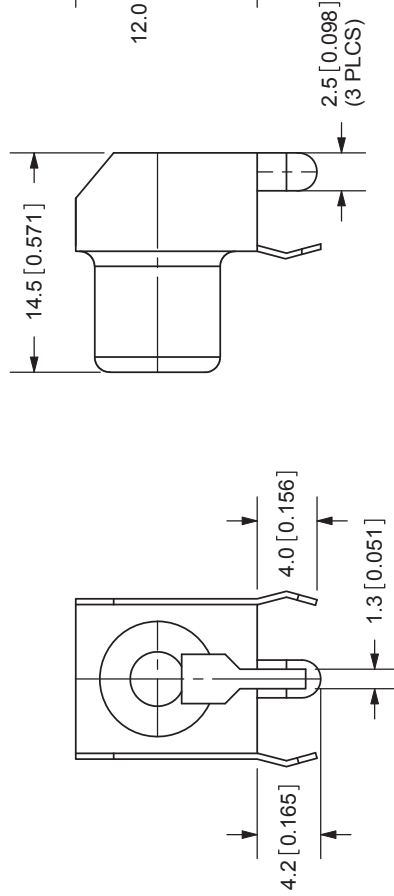
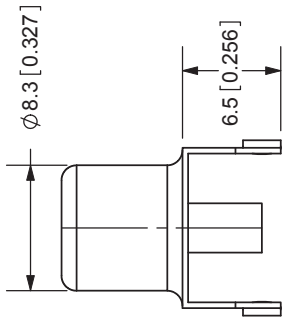


REV.	DESCRIPTION	DATE
A	NEW DRAWING	6/4/2007
B	added shell cut	1/30/2008



PCB LAYOUT
TOPVIEW

MODEL NO.	RCJ-01X
SCHEMATIC	

TOLERANCE:
±0.3mm UNLESS OTHERWISE
SPECIFIED



20050 SW 112th Ave.
Tualatin, OR 97062
Phone: 503-612-2300
800-275-4899
Fax: 503-612-2383
Website: www.cui.com

COLOR INDEX	
PART NO.	COLOR
RCJ-011	Black
RCJ-012	Red
RCJ-013	White
RCJ-014	Yellow
RCJ-015	Blue
RCJ-016	Green
RCJ-017	Orange

SPECIFICATIONS:
CONTACT RESISTANCE: 30m OHMS MAX
INSULATION RESISTANCE: 50M OHMS MIN: 500V DC
VOLTAGE WITHSTAND: 500V AC R.M.S. FOR 1 MINUTE
LIFE: 5,000 CYCLES
OPERATING TEMP: -20° ~ +85°C

MATERIAL	PLATING
Steel	Tin
Brass	Tin
Bakelite	see color index
PBT	see color index

TITLE:	RCA Jack, Metal, Right Angle, PCB Mount	REV:	B
PART NO:	RCJ-01X	UNITS:	MM [INCHES]
DRAWN BY:	ZRJ	APPROVED BY:	
		SCALE:	2:1