

Features

- ✧ UL Recognized File # E-326854
- ✧ For surface mounted application
- ✧ Plastic material used carriers Underwriters Laboratory Classification 94V-0
- ✧ Metal silicon junction, majority carrier conduction
- ✧ Low power loss, high efficiency
- ✧ High current capability, low forward voltage drop
- ✧ High surge capability
- ✧ For use in low voltage, high frequency inverters, free wheeling, and polarity protection applications
- ✧ Guard-ring for transient protection
- ✧ High temperature soldering guaranteed: 260°C/10 seconds, at terminals
- ✧ Green compound with suffix "G" on packing code & prefix "G" on datecode



Mechanical Data

- ✧ Case: JEDEC D²PAK molded plastic body
- ✧ Terminals: Pure tin plated, lead free, solderable per MIL-STD-750, Method 2026
- ✧ Polarity: As marked
- ✧ Mounting position: Any
- ✧ Mounting torque: 5 in. - lbs, max
- ✧ Weight: 1.35 grams

Ordering Information

Part No.	Package	Packing	Packing code	Green Compound Packing code
MBRS15xxCT	D2PAK	800 / 13" REEL	RN	RNG

Note: "x" is Device Code from "35" thru "150".

Maximum Ratings and Electrical Characteristics

Rating at 25 °C ambient temperature unless otherwise specified.

Single phase, half wave, 60 Hz, resistive or inductive load.

For capacitive load, derate current by 20%

Type Number	Symbol	MBRS 1535 CT	MBRS 1545 CT	MBRS 1550 CT	MBRS 1560 CT	MBRS 1590 CT	MBRS 15100 CT	MBRS 15150 CT	Unit
Maximum Repetitive Peak Reverse Voltage	V _{RRM}	35	45	50	60	90	100	150	V
Maximum RMS Voltage	V _{RMS}	24	31	35	42	63	70	105	V
Maximum DC Blocking Voltage	V _{DC}	35	45	50	60	90	100	150	V
Maximum Average Forward Rectified Current	I _{F(AV)}	15							A
Peak Repetitive Forward Current (Rated VR, Square Wave, 20KHz)	I _{FRM}	15							A
Peak Forward Surge Current, 8.3 ms Single Half Sine-wave Superimposed on Rated Load (JEDEC method)	I _{FSM}	150							A
Peak Repetitive Reverse Surge Current (Note 1)	I _{RSM}	1	0.5						A
Maximum Instantaneous Forward Voltage (Note 2) IF=7.5A, T _A =25°C IF=7.5A, T _A =125°C IF=15A, T _A =25°C IF=15A, T _A =125°C	V _F	- 0.57 0.84 0.72	- 0.65 -	0.75 0.65 -	- 0.82 -	0.92 0.82 -	- 0.92 -	0.95 0.92 -	V
Maximum Reverse Current @ Rated VR T _A =25 °C T _A =125 °C	I _R	0.1							mA
		15	10	5					
Voltage Rate of Change (Rated V _R)	dV/dt	10000							V/us
Typical Thermal Resistance Per Leg	R _{θJA} R _{θJC}	50 2							°C/W
Operating Temperature Range	T _J	- 65 to + 150							°C
Storage Temperature Range	T _{STG}	- 65 to + 175							°C

Note 1: 2.0uS Pulse Width, f=1.0KHz

Note 2: Pulse Test : 300uS Pulse Width, 1% Duty Cycle

RATINGS AND CHARACTERISTIC CURVES (MBRS1535CT THRU MBRS15150CT)

FIG. 1 FORWARD CURRENT DERATING CURVE

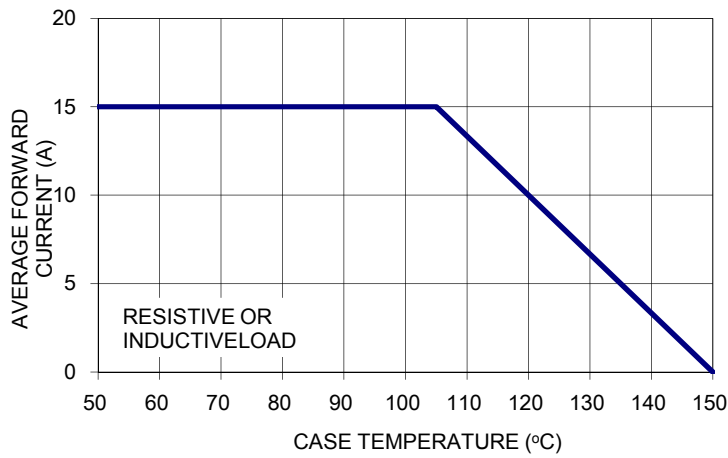


FIG. 2 MAXIMUM NON-REPETITIVE FORWARD SURGE CURRENT PER LEG

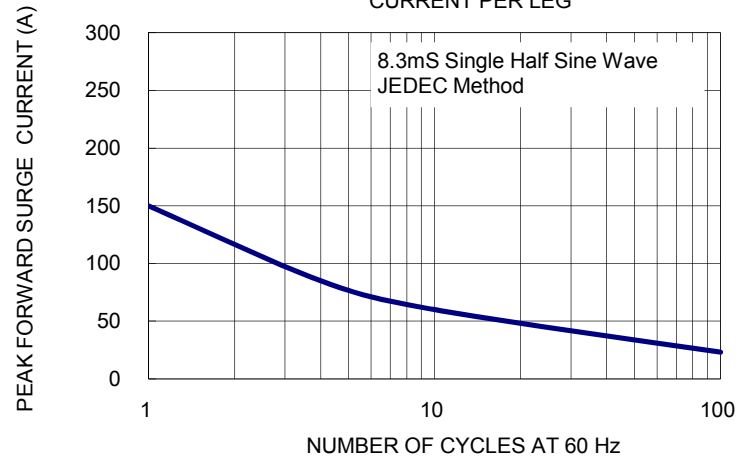


FIG. 3 TYPICAL FORWARD CHARACTERISTICS PER LEG

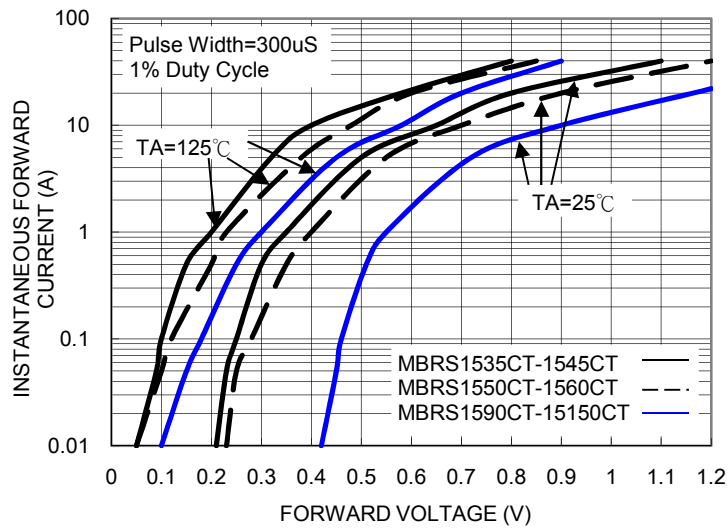


FIG. 4 TYPICAL REVERSE CHARACTERISTICS PER LEG

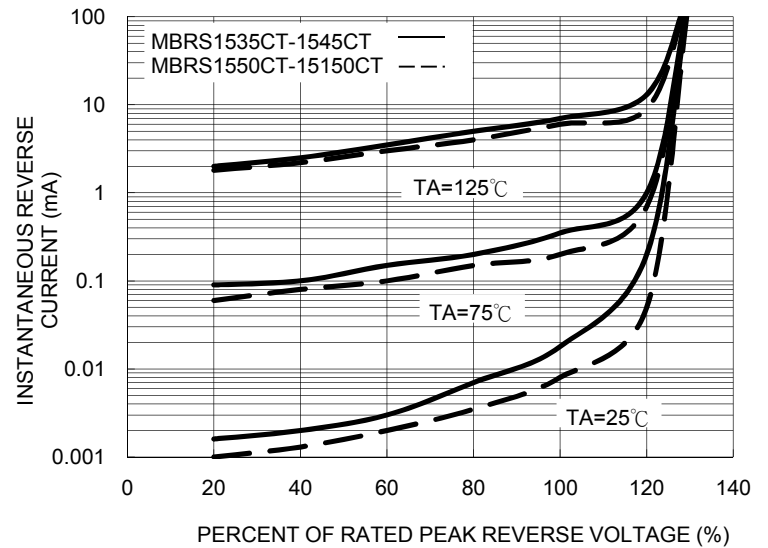


FIG. 5 TYPICAL JUNCTION CAPACITANCE PER LEG

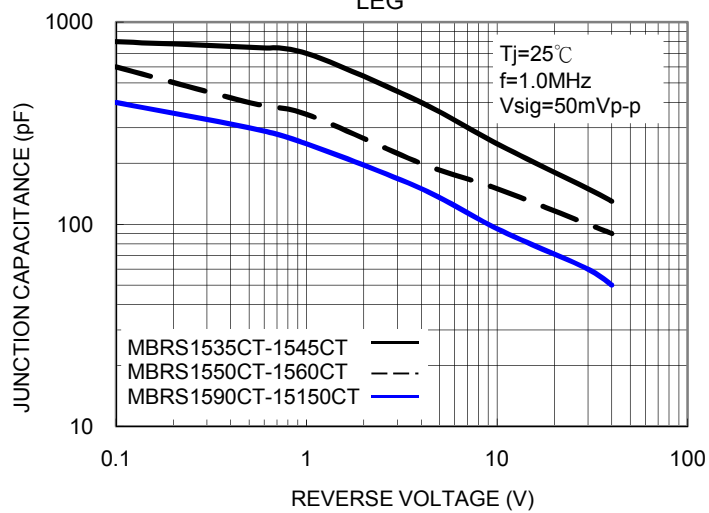
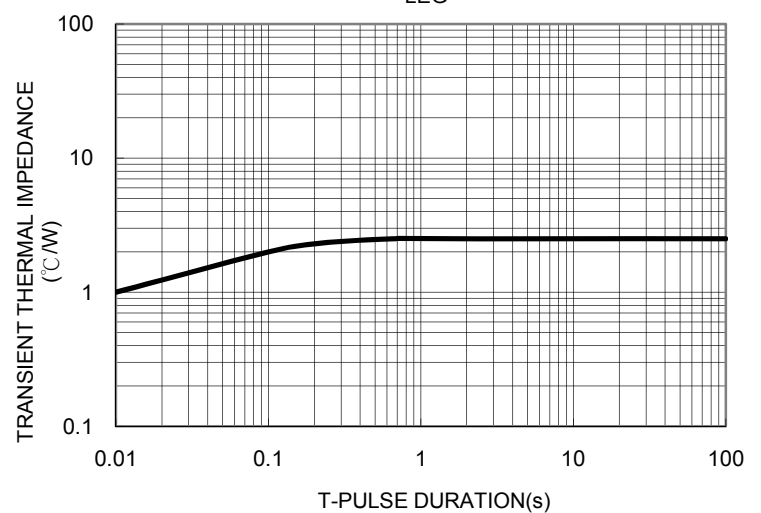
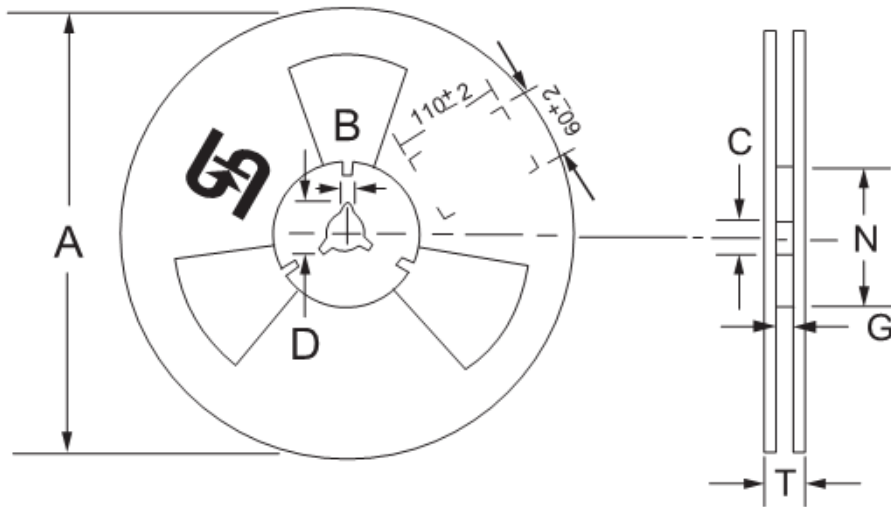
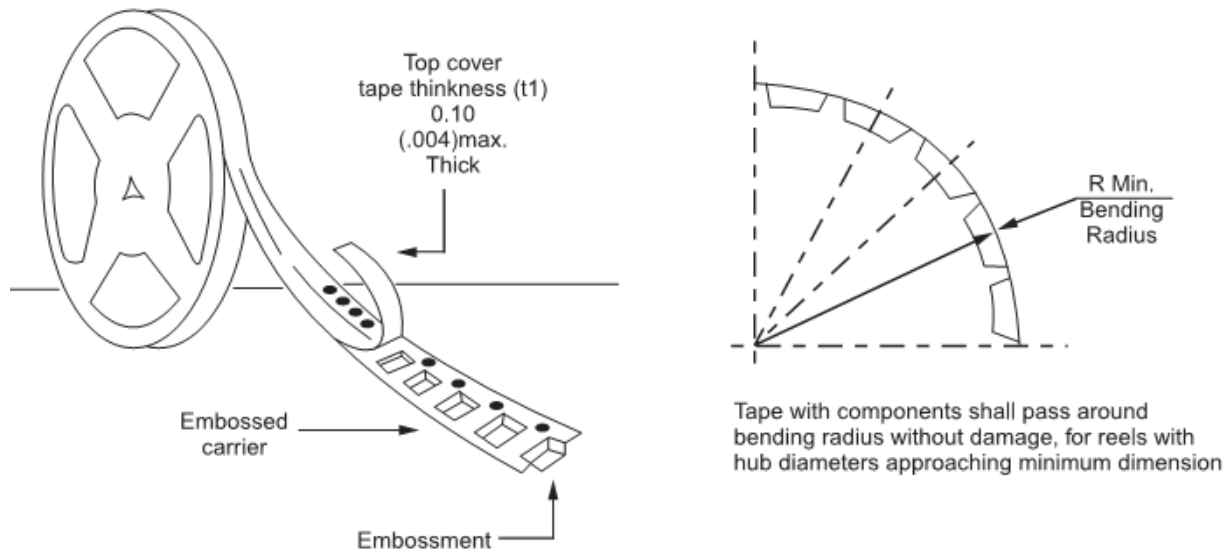


FIG. 6 TYPICAL TRANSIENT THERMAL IMPEDANCE PER LEG



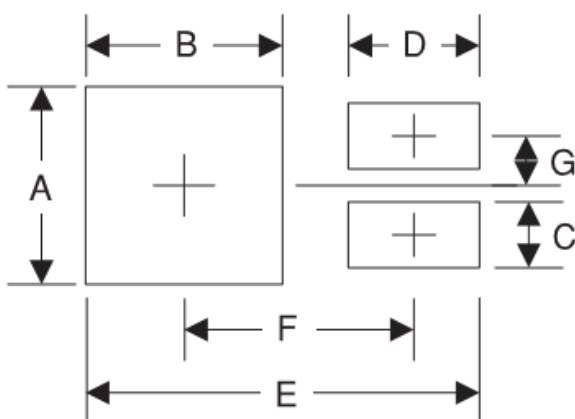
Tape & Reel specification



Reel Size	Tape Size	A	B	C	D	N	G	T
		max	±0.5	±0.5	min	±0.5	+2.0;-0	max
13"	24mm	330	2	13	20.2	75	24.4	30.4

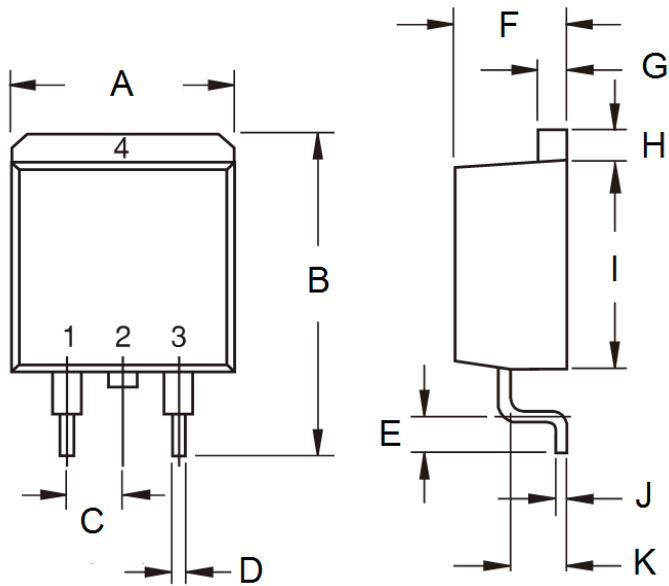
Unit (mm)

Suggested PAD Layout

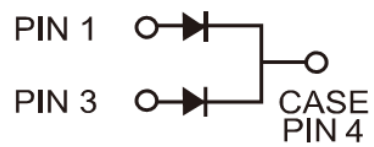


Symbol	Unit(mm)
A	10.8
B	7
C	1.1
D	3.5
E	16.9
F	9.5
G	2.5

Dimensions



DIM.	Unit(mm)		Unit(inch)	
	Min	Max	Min	Max
A	-	10.5	-	0.413
B	14.60	15.88	0.575	0.625
C	2.41	2.67	0.095	0.105
D	0.68	0.94	0.027	0.037
E	2.29	2.79	0.090	0.110
F	4.44	4.70	0.175	0.185
G	1.14	1.40	0.045	0.055
H	1.14	1.40	0.045	0.055
I	8.25	9.25	0.325	0.364
J	0.36	0.53	0.014	0.021
K	2.03	2.79	0.080	0.110



Marking Diagram



- P/N = Specific Device Code
- G = Green Compound
- YWW = Date Code