

REVISIONS			
REV.	DESCRIPTION	DATE	APPROVED
A	Created Drawing	02/06/13	DC

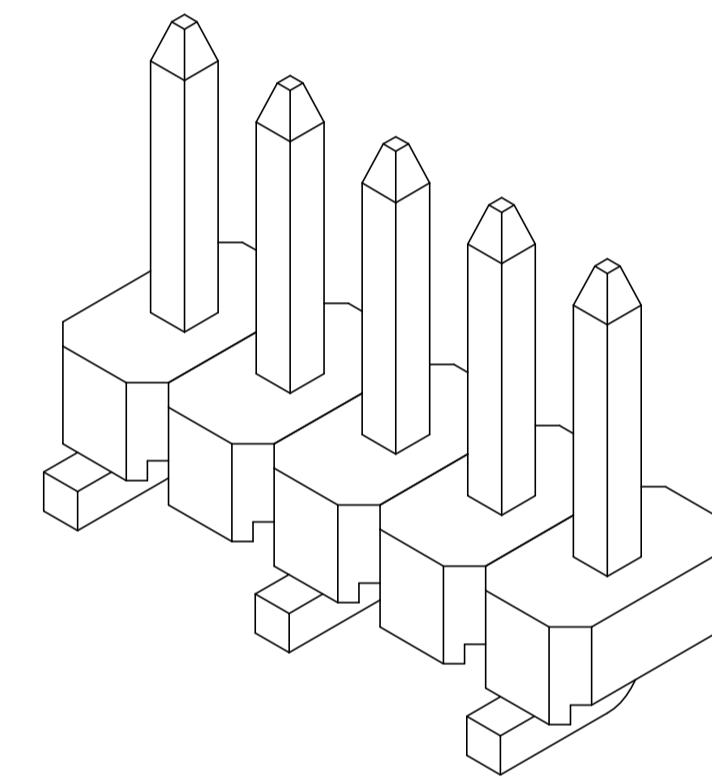
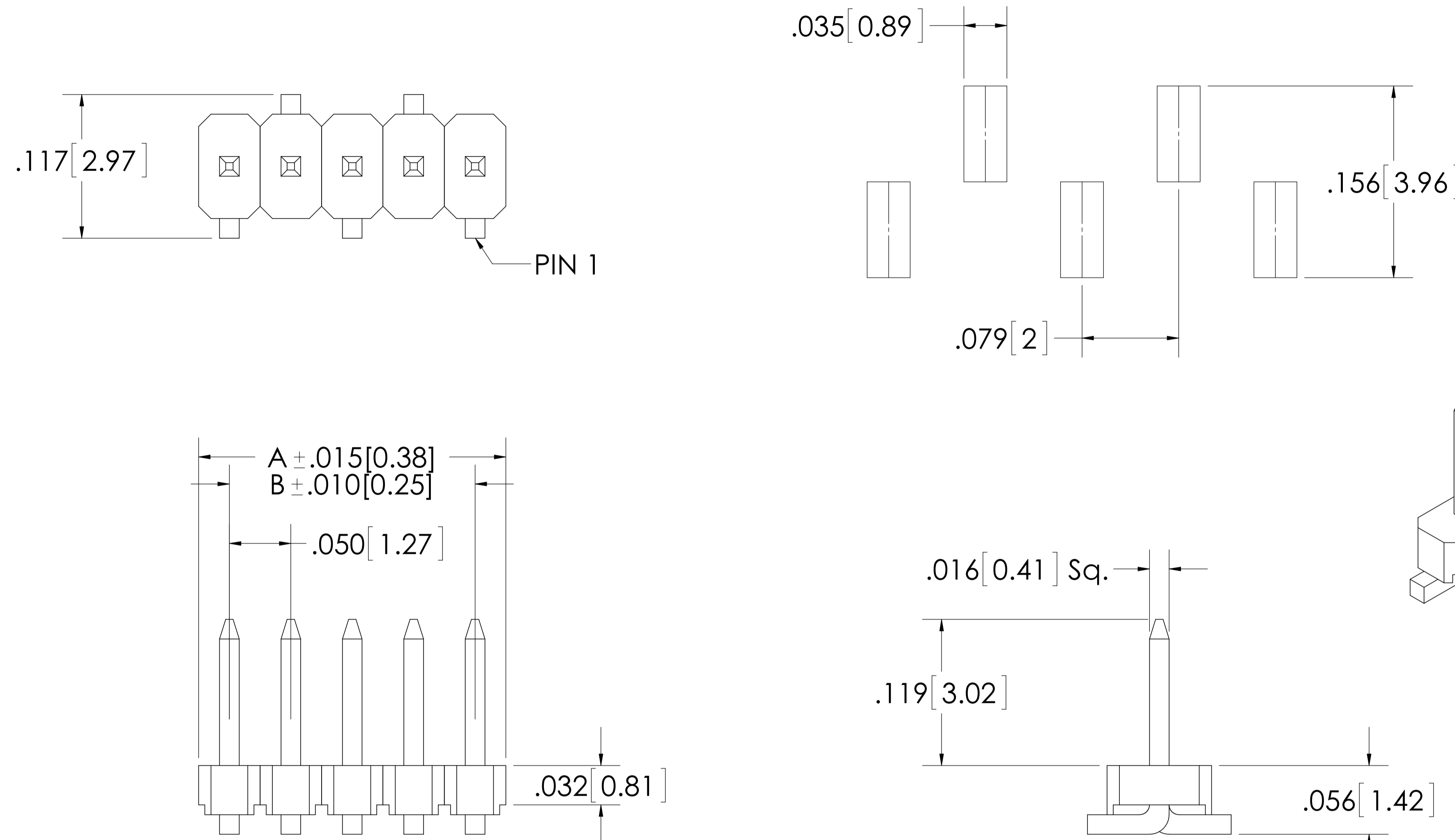
Specifications:
 Current Rating: 1.0 Ampere
 Insulation Resistance: 1000M Ohms Min.
 Dielectric Withstanding: 300V AC
 Contact Resistance: 20m Ohms Max.
 Operating Temperature: -40°C to +105°C

Materials:
 Contact Material: Brass
 Plating: Gold Flash over entire pin
 Insulator Material: Thermoplastic, UL94V-0, LCP
 Color: Natural

Max. Process Temperatures:
 Peak: 260°C up to 20 secs.
 Process: 230°C up to 60 secs.
 Wave: 260°C up to 6 Secs.
 Manual Solder: 350°C up to 5 secs.

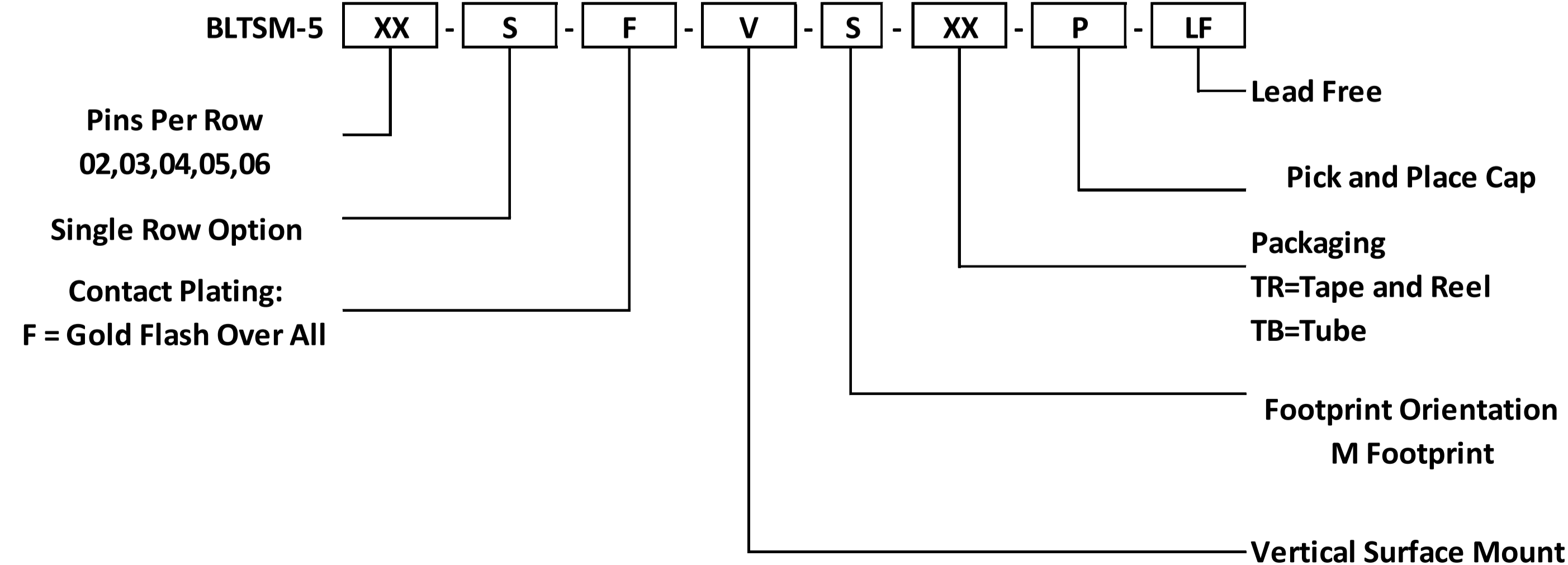
All materials must meet Major League Electronics requirements for environmental protection.

RECOMMENDED PCB LAYOUT
 General Tolerance .002[0.050]



CONTACTS	DIMENSIONS			
	A		B	
02	0.100	2.54	0.050	1.27
03	0.150	3.81	0.100	2.54
04	0.200	5.08	0.150	3.81
05	0.250	6.35	0.200	5.08
06	0.300	7.62	0.250	6.35
	Inches	MM	Inches	MM

ORDERING INFORMATION



UNLESS OTHERWISE SPECIFIED:		DATE	NAME
DIMENSIONS ARE IN INCHES		02/06/13	GWE
TOLERANCES:		02/06/13	DRC
ONE PLACE DECIMALS ±.100			
TWO PLACE DECIMAL ±.010			
THREE PLACE DECIMAL ±.005			
FOUR PLACE DECIMAL ±.002			
INTERPRET GEOMETRIC TOLERANCING PER:			
MATERIAL	--		
FINISH	--		

Major League ELECTRONICS
 4235 Earnings Way
 New Albany, IN 47150
 Phone: 812-944-7244 Fax: 812-944-7268
 e-Mail: mle@mllelectronics.com

TITLE: BLTSM-5-SV-S

SIZE **B** DWG. NO. Q:ASSEM/BL/BLTSM-5-SV-S REV **A**

SCALE: 8:1 WEIGHT: SHEET 1 OF 1

PROPRIETARY AND CONFIDENTIAL
 THE INFORMATION CONTAINED IN THIS DRAWING IS THE SOLE PROPERTY OF MAJOR LEAGUE ELECTRONICS. ANY REPRODUCTION IN PART OR AS A WHOLE WITHOUT THE WRITTEN PERMISSION OF MAJOR LEAGUE ELECTRONICS IS PROHIBITED.

