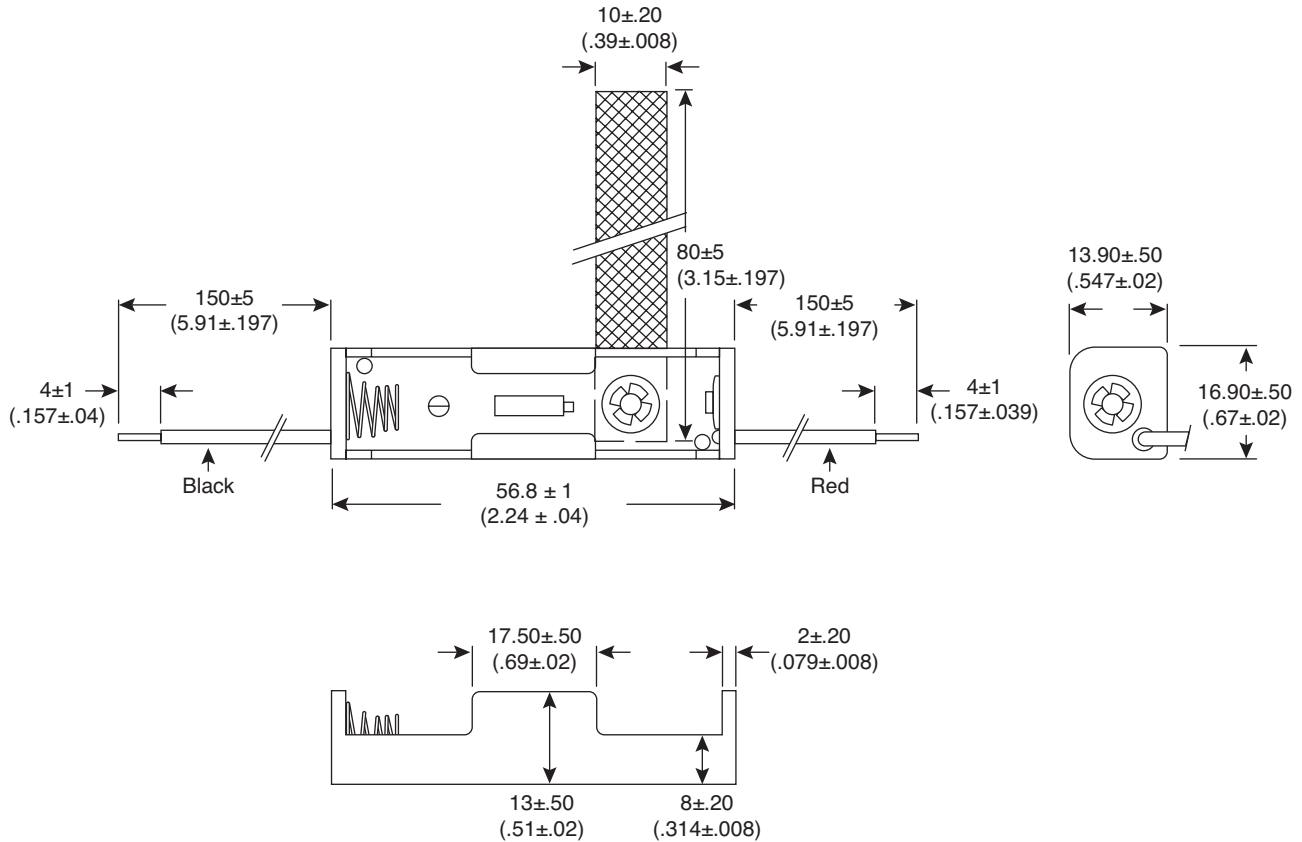


Date Last Revised: 5-10-12



DIMENSIONS: mm (in.)

SPECIFICATIONS	
Holds:	1 "AA" Cell
Leads:	AWG #26 Black & Red 150mm \pm 5mm Strip & Tin 4mm \pm 1mm
Material:	P.P. Resin, Black Color
Spring:	0.6mm 65C Spring Wire
RoHS Compliant	

Available from Mouser Electronics
 1-800-346-6873 / www.mouser.com

EPD-200684