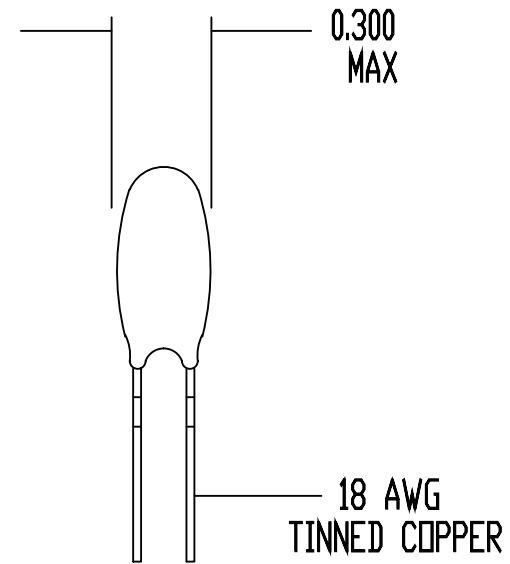
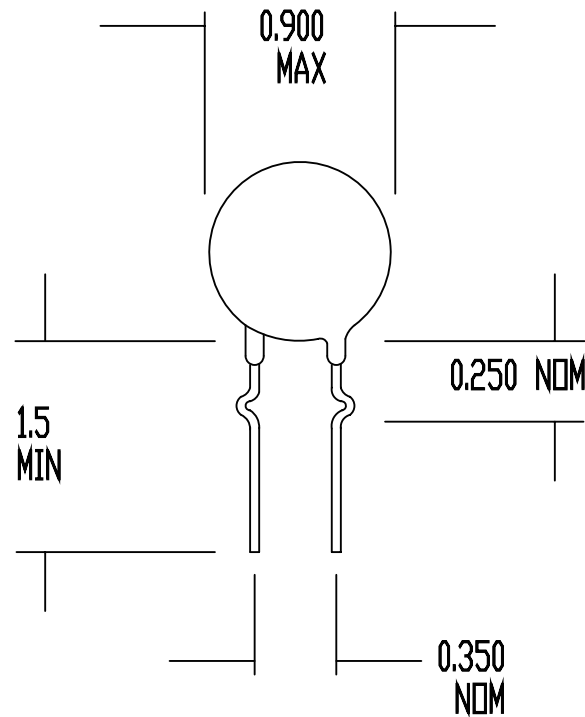


REV	DATE	ECD#
A	09/06/90	1143
B	06/11/93	1265

DRAWING NOT TO SCALE  
ALL DIMENSIONS IN INCHES



**SPECIFICATIONS:**

RESISTANCE AT 25 DEG C = 2.5 OHMS +/- 15%  
 MAXIMUM CONTINUOUS CURRENT (I<sub>max</sub>) = 15 AMPS  
 RESISTANCE AT I<sub>max</sub> = 0.03 OHMS NOMINAL  
 MAXIMUM VOLTAGE RATING = 265 VAC (RMS)  
 MAXIMUM SURGE RATING = 87 JOULES  
 ENCAPSULATION = SILICONE RESIN  
 MARKING = OPTIONAL  
 LEADS = RODAN P/N STL-209-45

DRAWN BY D. NGUYEN		<b>AMETHERM</b> <i>Circuit Protection Thermistors</i>
DATE 04/17/87	ORIG. F.TISED	
REV B	APP	SURGE-GARD INRUSH CURRENT LIMITER
SHEET 1 OF 1		SG307