

## FEATURES

- Compact and Light Weight
- High Reliability
- High Conversion Efficiency
- Digital Control RS-485, Daisy-chain (-R2 type only)

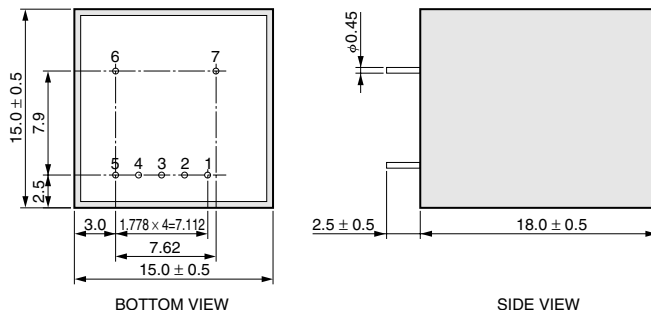


## SPECIFICATIONS

Parameter	C10940-03	C10940-03-R2	C10940-53	C10940-53-R2	Unit
Input Voltage Range	+5 ± 0.5				V
Input Current	60 (no load), 230 (full load)				mA
Variable Output Voltage Range	-10 to -1200		+10 to +1200		V
Specification Guaranteed Output Voltage Range	-200 to -1200		+200 to +1200		V
Output Current	Max. 0.6				mA
Line Regulation Against ±0.5 V Input Change <sup>(A)(B)</sup>	Typ. ±0.02				%
Load Regulation Against 0 % to 100 % Load Change <sup>(A)</sup>	Typ. ±0.01				%
Ripple / Noise (p-p) <sup>(A)(B)</sup>	Typ. 50				mV
Output Voltage Control	Please see connection diagrams at the rear page				—
Reference Voltage Output	Typ. +1.2		—		V
Output Voltage Setting (Absolute Value)	Typ. (Controlling voltage × 1000) ±3.0 %		—		V
Output Voltage Rise Time (0 % → 99 %) <sup>(A)(B)</sup>	Typ. 120				ms
Temperature Coefficient <sup>(A)(B)</sup>	Typ. ±0.01				%/°C
Operating Ambient Temperature <sup>(A)(B)</sup>	0 to +50				°C
Operating Ambient Humidity <sup>(C)</sup>	Below 80				%
Storage Temperature	-20 to +60				°C
Storage Humidity <sup>(C)</sup>	Below 80				%
Weight	Typ. 8.5				g
Protective Functions	Units protected against reversed power input, reversed/excessive controlling voltage input, continuous overloading/short circuit output				—

<sup>(A)</sup>At maximum output voltage <sup>(B)</sup>At maximum output current <sup>(C)</sup>No condensation

## DIMENSIONAL OUTLINE (Unit: mm)

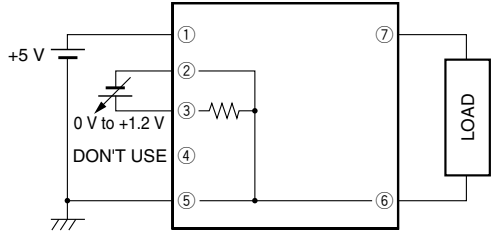


# HIGH VOLTAGE POWER SUPPLY C10940 SERIES

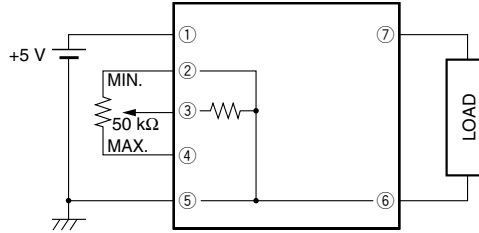
## CONNECTION DIAGRAMS

### OUTPUT VOLTAGE CONTROL (C10940-03, C10940-53)

#### ● BY EXTERNAL VOLTAGE

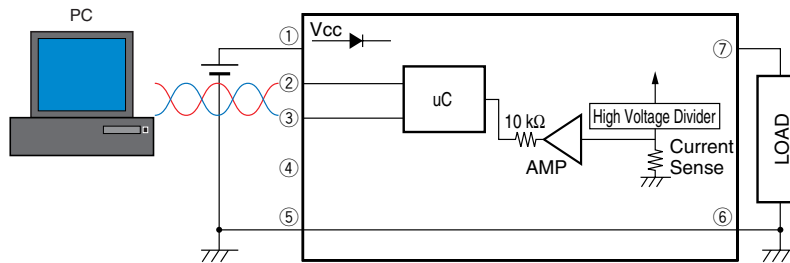


#### ● BY EXTERNAL POTENTIOMETER



- ① Vcc +5 V
- ② Vcont GND
- ③ Vcont
- ④ Vref +1.2 V Typ.
- ⑤ GND (for Input GND)
- ⑥ HV GND
- ⑦ HV OUT

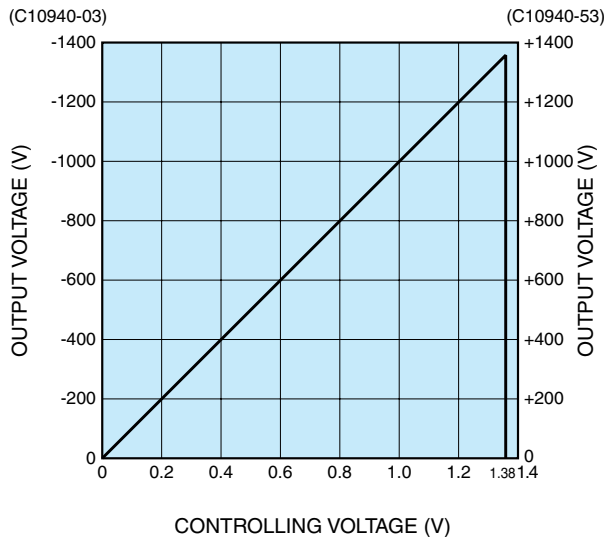
### DIGITAL CONTROL (C10940-03-R2, C10940-53-R2)



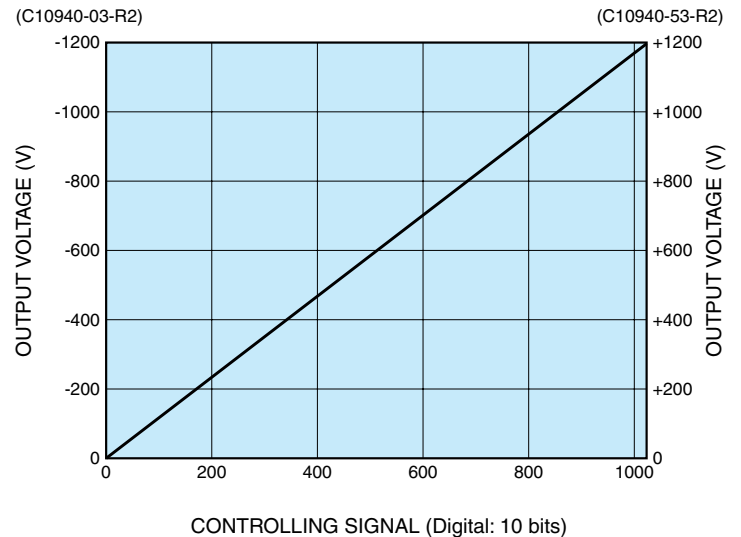
- ① Vcc +5 V
- ② RS-485 A
- ③ RS-485 B
- ④ IC
- ⑤ GND (for Input GND)
- ⑥ HV GND
- ⑦ HV OUT

## OUTPUT VOLTAGE CONTROLLING CHARACTERISTIC

#### ● BY EXTERNAL CONTROL



#### ● BY DIGITAL CONTROL



**HAMAMATSU PHOTONICS K.K.** [www.hamamatsu.com](http://www.hamamatsu.com)

**HAMAMATSU PHOTONICS K.K., Electron Tube Division**

**314-5, Shimokanzo, Iwata City, Shizuoka Pref., 438-0193, Japan, Telephone: (81)539/62-5248, Fax: (81)539/62-2205**

**U.S.A.:** Hamamatsu Corporation: 360 Foothill Road, P. O. Box 6910, Bridgewater, N.J. 08807-0910, U.S.A., Telephone: (1)908-231-0960, Fax: (1)908-231-1218 E-mail: [usa@hamamatsu.com](mailto:usa@hamamatsu.com)

**Germany:** Hamamatsu Photonics Deutschland GmbH: Arzbergerstr. 10, D-82211 Herrsching am Ammersee, Germany, Telephone: (49)8152-375-0, Fax: (49)8152-2658 E-mail: [info@hamamatsu.de](mailto:info@hamamatsu.de)

**France:** Hamamatsu Photonics France S.A.R.L.: 19, Rue du Saule Trapu, Parc du Moulin de Massy, 91882 Massy Cedex, France, Telephone: (33)1 69 53 71 00, Fax: (33)1 69 53 71 10 E-mail: [infos@hamamatsu.fr](mailto:infos@hamamatsu.fr)

**United Kingdom:** Hamamatsu Photonics UK Limited: 2 Howard Court, 10 Tewin Road Welwyn Garden City Hertfordshire AL7 1BW, United Kingdom, Telephone: 44-(0)1707-294888, Fax: 44-(0)1707-325777 E-mail: [info@hamamatsu.co.uk](mailto:info@hamamatsu.co.uk)

**North Europe:** Hamamatsu Photonics Norden AB: Smidesvägen 12, SE-171-41 SOLNA, Sweden, Telephone: (46)8-509-031-00, Fax: (46)8-509-031-01 E-mail: [info@hamamatsu.se](mailto:info@hamamatsu.se)

**Italy:** Hamamatsu Photonics Italia: S.R.L.: Strada della Moia, 1/E, 20020 Arese, (Milano), Italy, Telephone: (39)02-935 81 733, Fax: (39)02-935 81 741 E-mail: [info@hamamatsu.it](mailto:info@hamamatsu.it)

**China:** HAMAMATSU PHOTONICS (CHINA) Co., Ltd.: 1201 Tower B, Jiaming Center, No.27 Dongsanhuoan Bellu, Chaoyang District, Beijing 100020, China, Telephone: (86)10-6586-6006, Fax: (86)10-6586-2866 E-mail: [hpc@hamamatsu.com.cn](mailto:hpc@hamamatsu.com.cn)

TACC1056E01  
AUG. 2012. IP