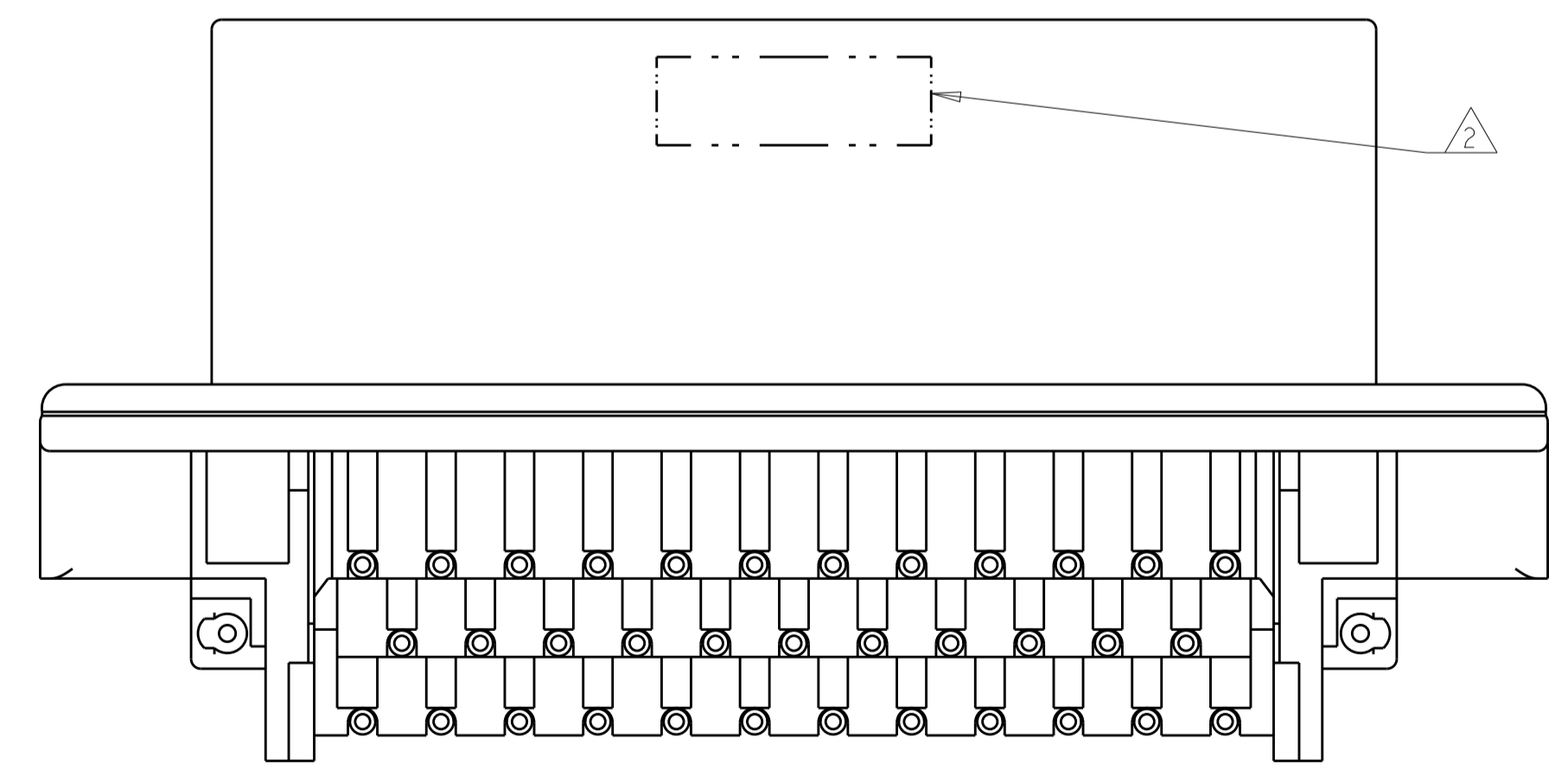
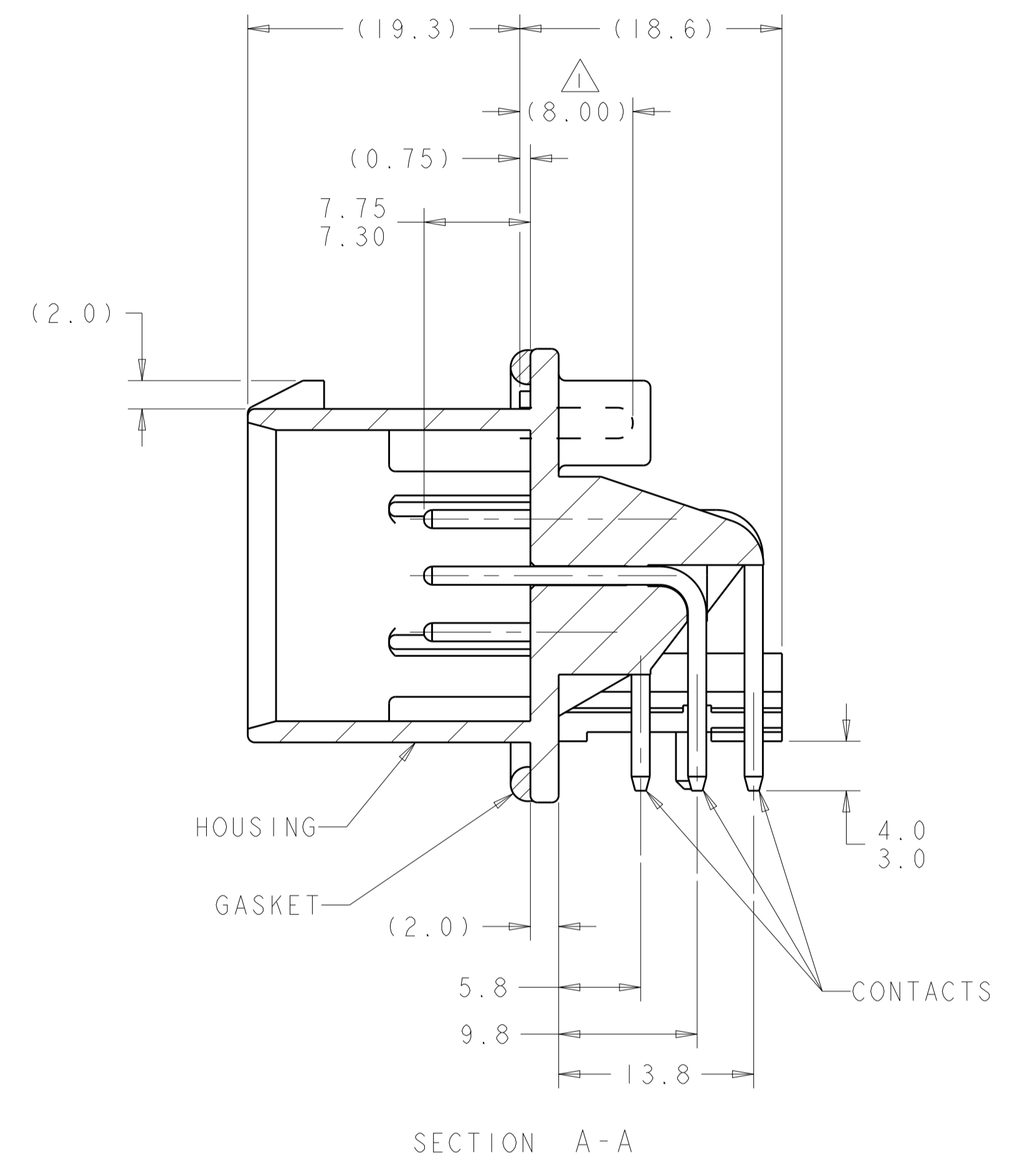
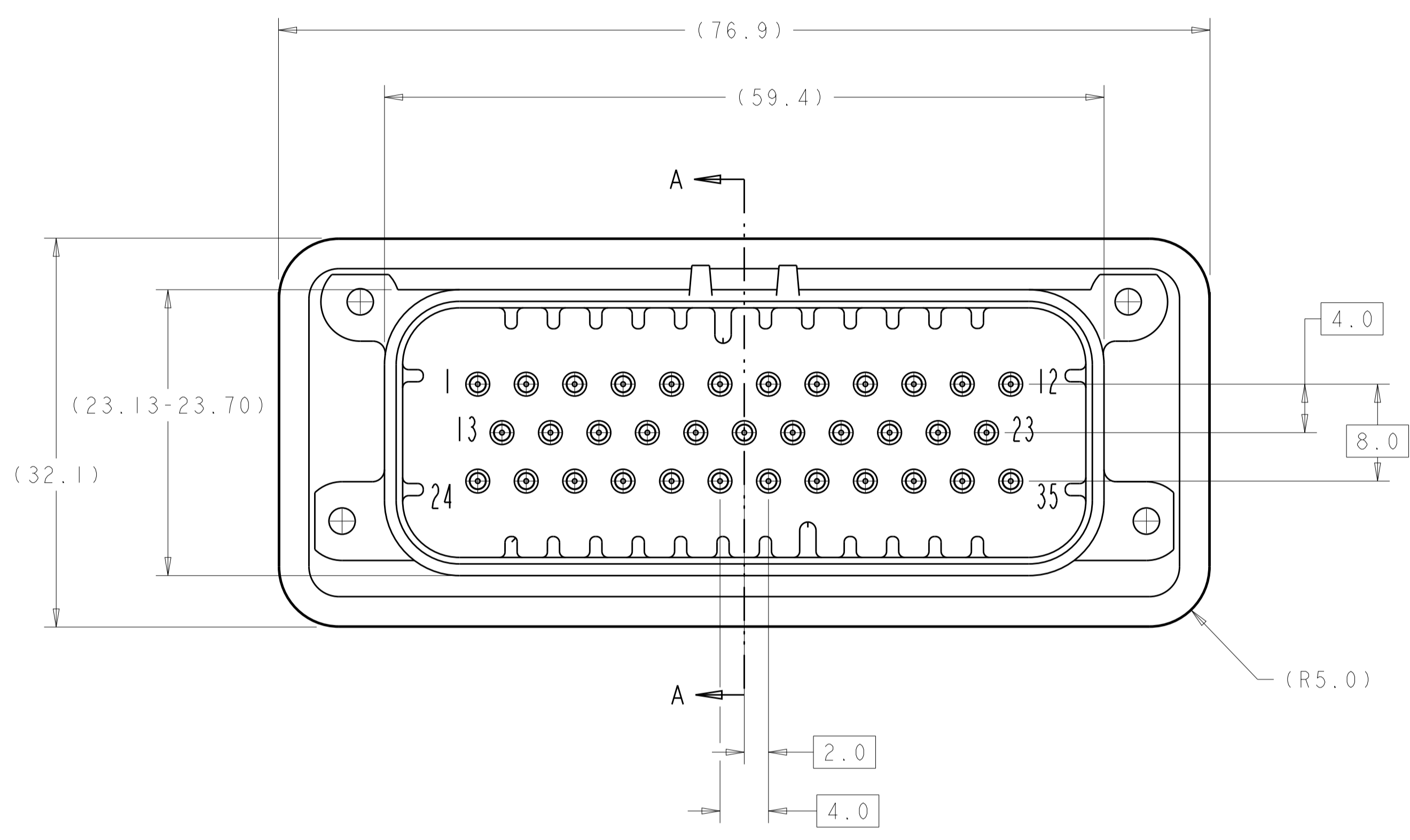


REVISIONS				
P.	LTM	DESCRIPTION	DATE	OWN APVD
J4		REVISED PER ECO-12-009257	29MAY2012	DD DS
J5		REVISED PER ECO-13-019430	10DEC2013	DD DS

- 1 ACCEPTS #4 SELF TAPPING THREAD FORMING SCREW OR METRIC EQUIVALENT TO BE DRIVEN AT 0.4N-m MINIMUM.
- 2 DATE CODE IN THIS LOCATION USING 5 DIGIT CODE
FIRST 2 DIGITS = YEAR, SECOND 2 DIGITS = WEEK
LAST DIGIT = DAY
- 3 HOUSING COLORS ARE MECHANICALLY KEYED TO MATE ONLY WITH IDENTICALLY COLORED PLUG ASSEMBLIES.
- 4 MATERIAL: HEADER HOUSING - GLASS FILLED PBT
PINS - TIN OR GOLD PLATED BRASS
GASKET - SILICONE
- 5. HEADER MATES TO PLUG ASSEMBLY 776164 WHICH USES REELED TERMINAL 770520 OR LOOSE PIECE TERMINAL 770854



776163-1 & 1-776163-1
KEY LOCATION AS SHOWN

DURAGOLD	ORANGE	1-776163-6
DURAGOLD	BLUE	1-776163-5
DURAGOLD	GRAY	1-776163-4
DURAGOLD	NATURAL (WHITE)	1-776163-2
DURAGOLD	BLACK	1-776163-1
TIN	BLUE	776163-5
TIN	GRAY	776163-4
TIN	NATURAL (WHITE)	776163-2
TIN	BLACK	776163-1
FINISH	HEADER COLOR	PART NUMBER

THIS DRAWING IS A CONTROLLED DOCUMENT. DWN: R. VESTAL 31DEC2002
 CHK: D. CROWE 31DEC2002
 APVD: D. CROWE 31DEC2002

DIMENSIONS: mm
 TOLERANCES UNLESS OTHERWISE SPECIFIED:
 0 PLC ±
 1 PLC ±0.2
 2 PLC ±
 3 PLC ±
 4 PLC ±
 ANGLES ±
 FINISH

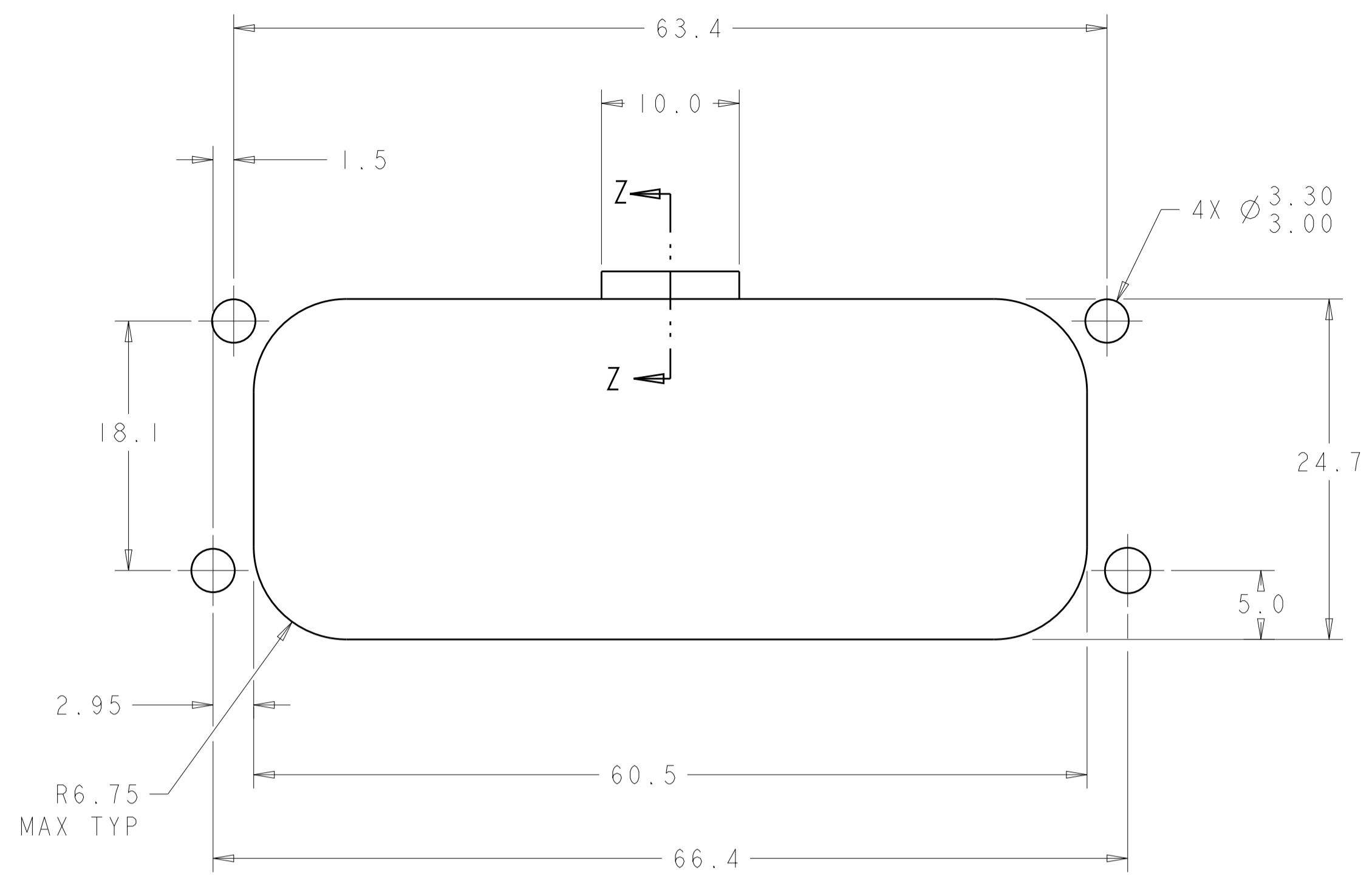
PRODUCT SPEC: 108-1329
 APPLICATION SPEC: 114-16016
 WEIGHT: -

Customer Drawing

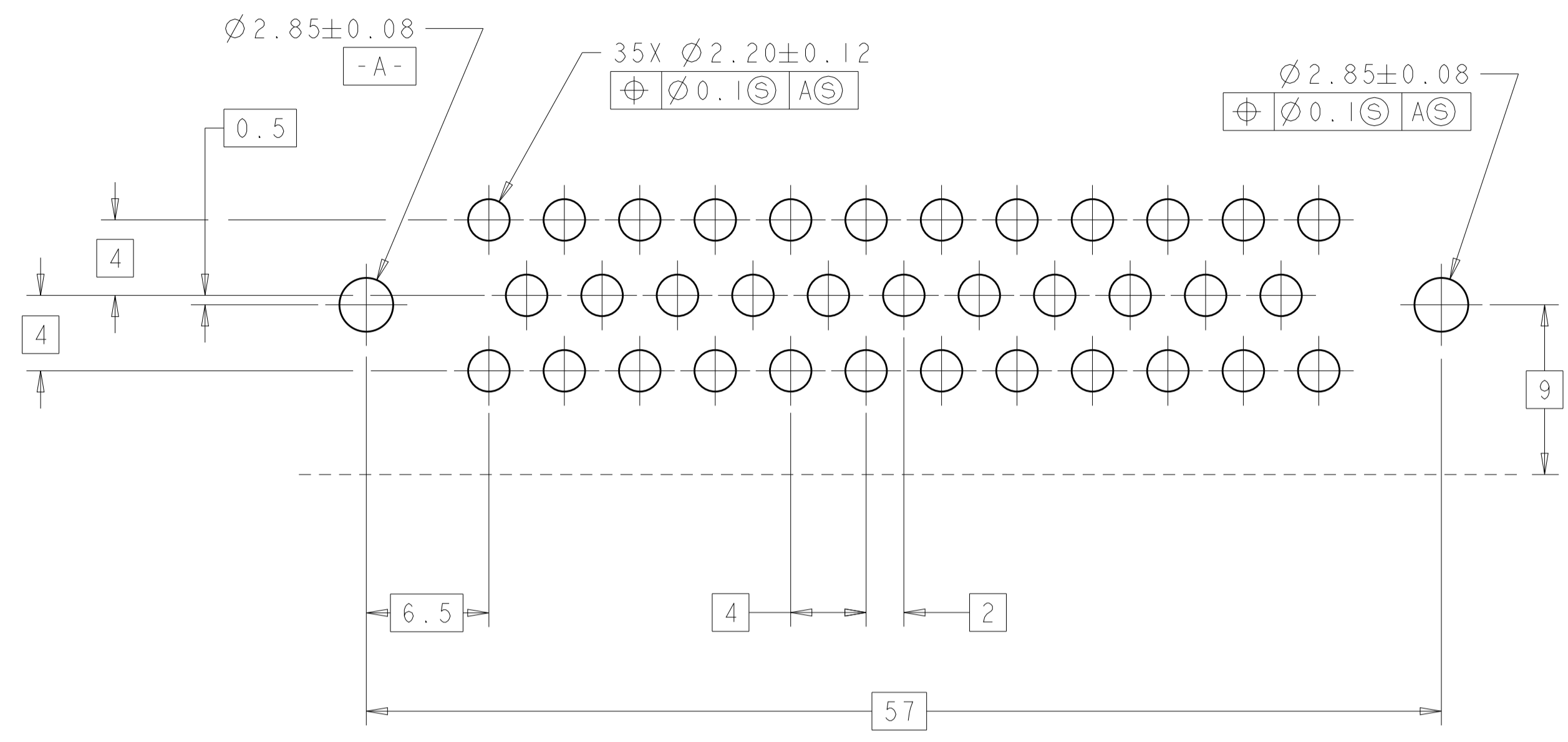
NAME: HEADER ASSEMBLY, 35 POSITION, RIGHT ANGLE, AMPSEAL
 SIZE: A1
 CAGE CODE: 00779
 DRAWING NO: 776163
 RESTRICTED TO: -

SCALE: 4:1 SHEET 1 OF 2 REV J5

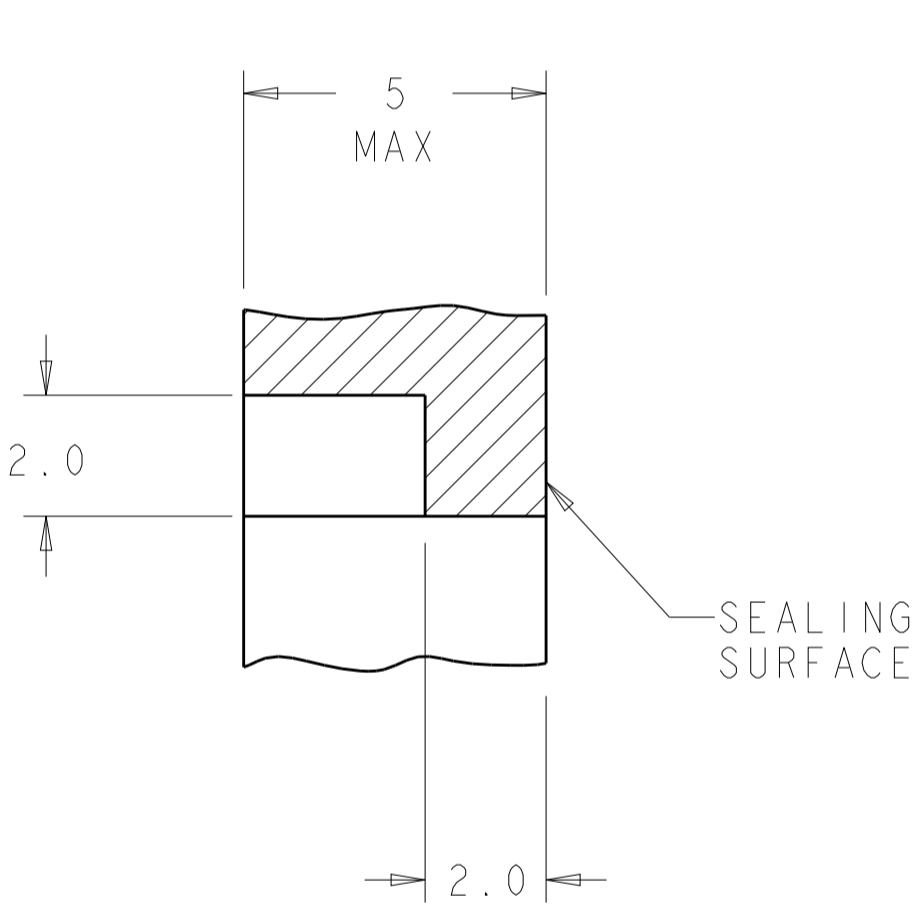
REVISIONS				
P.	LTN.	DESCRIPTION	DATE	APP'D.
-	-	SEE SHEET 1	-	-



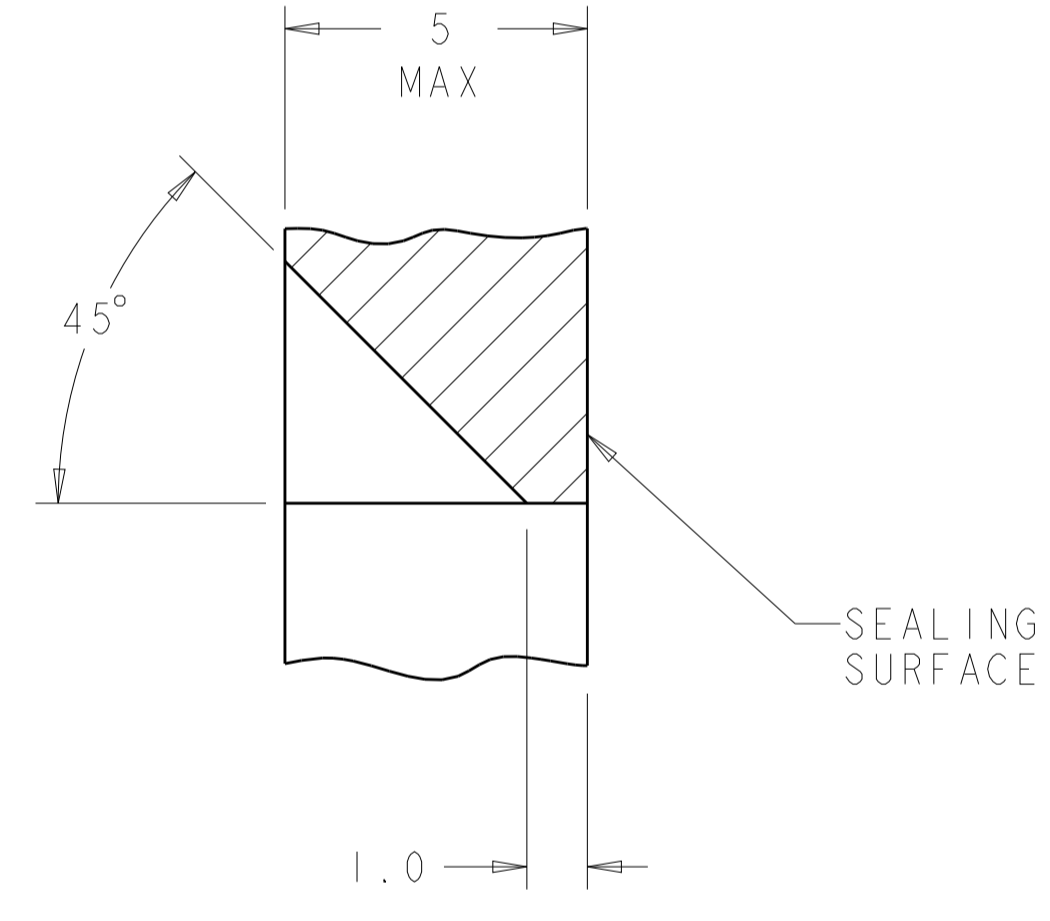
RECOMMENDED MOUNTING HOLE LAYOUT
 FOR 5.0 MAX THICK PANEL



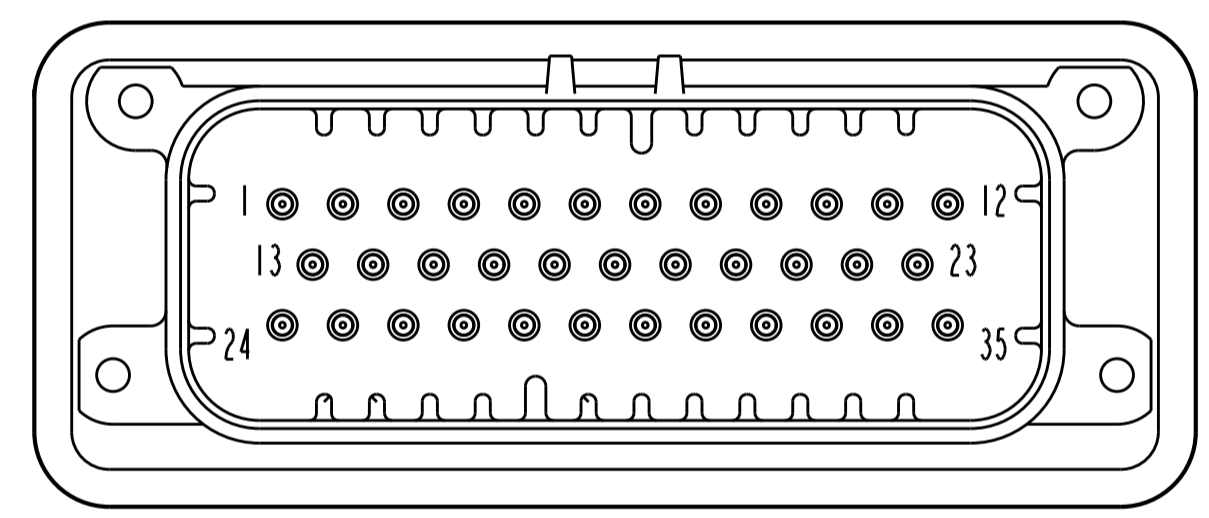
RECOMMENDED P.C. BOARD LAYOUT
 FOR 1.57 THICK P.C. BOARD



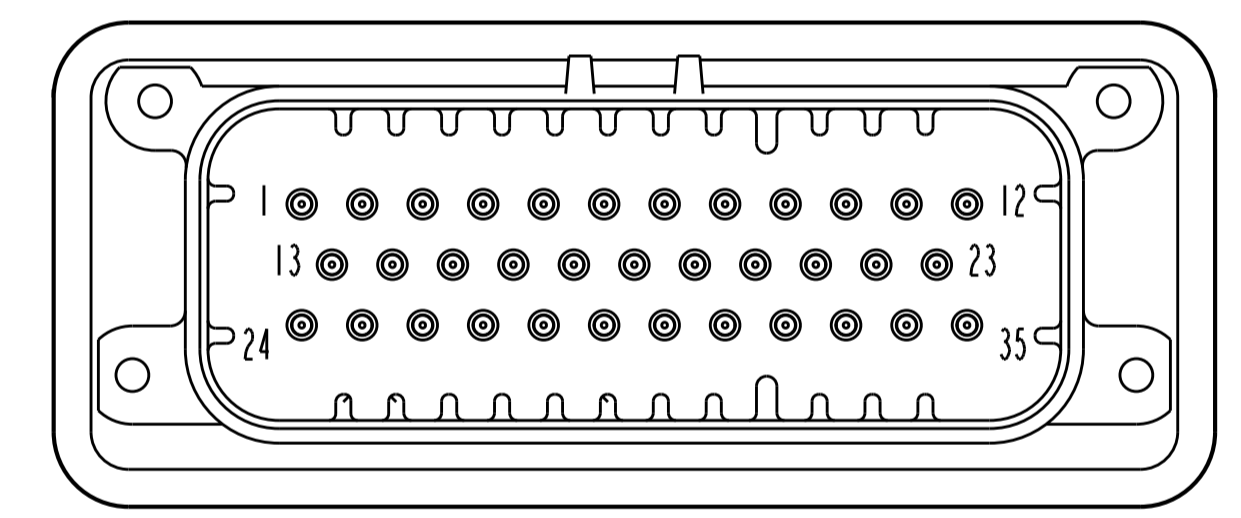
SECTION Z-Z
 OPTIONAL CONSTRUCTION IF
 THICKNESS IS GREATER THAN 2.0
 SCALE 8:1



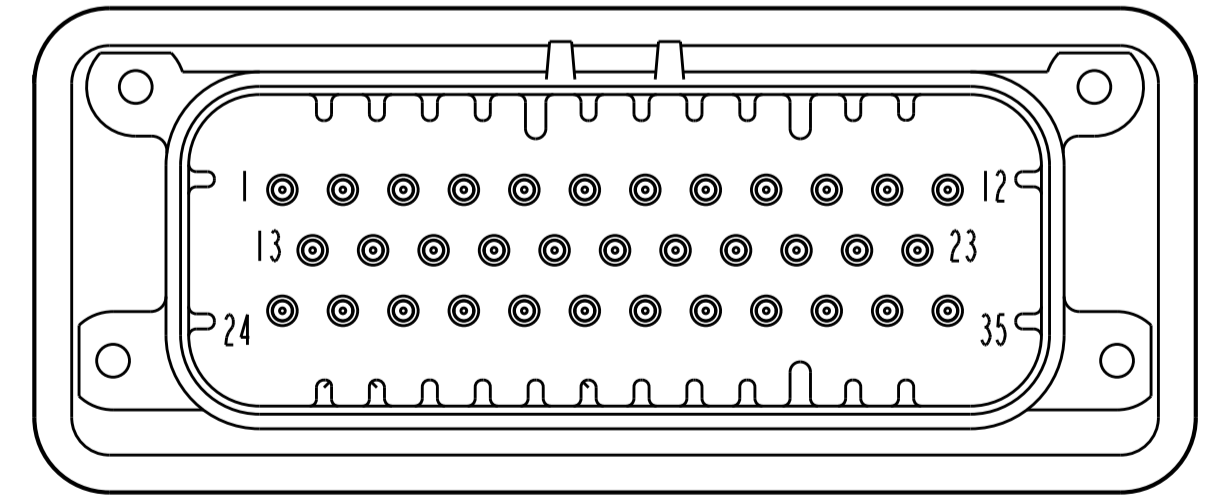
SECTION Z-Z
 OPTIONAL CONSTRUCTION IF
 THICKNESS IS GREATER THAN 2.0
 SCALE 8:1



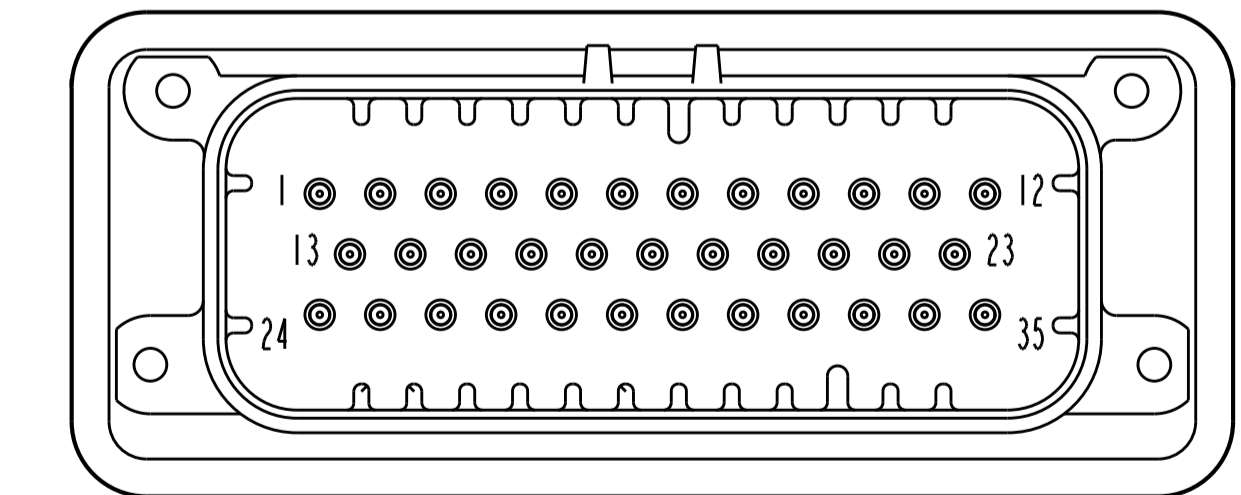
776163-2 & 1-776163-2
 KEY LOCATION AS SHOWN
 SCALE 2:1



776163-4 & 1-776163-4
 KEY LOCATION AS SHOWN
 SCALE 2:1



776163-5 & 1-776163-5
 KEY LOCATION AS SHOWN
 SCALE 2:1



1-776163-6
 KEY LOCATION AS SHOWN
 SCALE 2:1

THIS DRAWING IS A CONTROLLED DOCUMENT.		OWN R. VESTAL 31DEC2002	TE Connectivity
DIMENSIONS:		CHK D. CROWE 31DEC2002	
mm	TOLERANCES UNLESS OTHERWISE SPECIFIED:	APP'D D. CROWE 31DEC2002	NAME
0 PLC ±	0.2	PRODUCT SPEC	HEADER ASSEMBLY, 35 POSITION, RIGHT ANGLE, AMPSEAL
2 PLC ±	0.2	108-1329	SIZE
3 PLC ±	0.2	APPLICATION SPEC	CAGE CODE DRAWING NO
4 PLC ±	0.2	114-16016	RESTRICTED TO
ANGLES ±	0.2	WEIGHT	A100779C=776163
MATERIAL	FINISH	Customer Drawing	SCALE 4:1 SHEET 2 OF 2 REV J5