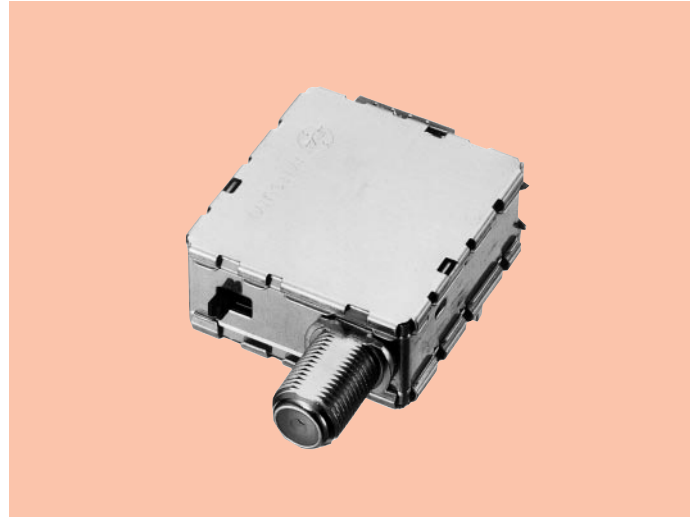


# RF Modulator for VCR and CATV MDG-VJ1231, -VA2331, -VA3431

## OUTLINE

MDG series are compact RF modulators developed for VCR and CATV and especially designed for use in instruments operating with low supply voltages.



## FEATURES

1. Compact and light weight, ideal for VCR and CATV.
2. Channel select SW built-in type is also available.
3. High performance for SAW resonator and IC use.

## SPECIFICATIONS

### General Specifications

Item	Models	MDG-VJ1231	MDG-VA2331	MDG-VA3431
		(Japan)	(America)	(America)
Rating Supply Voltage			5V	
Current Consumption			22mA max.	
Operating Temperature Range			0~60°C	
RF Output Impedance			75Ω	

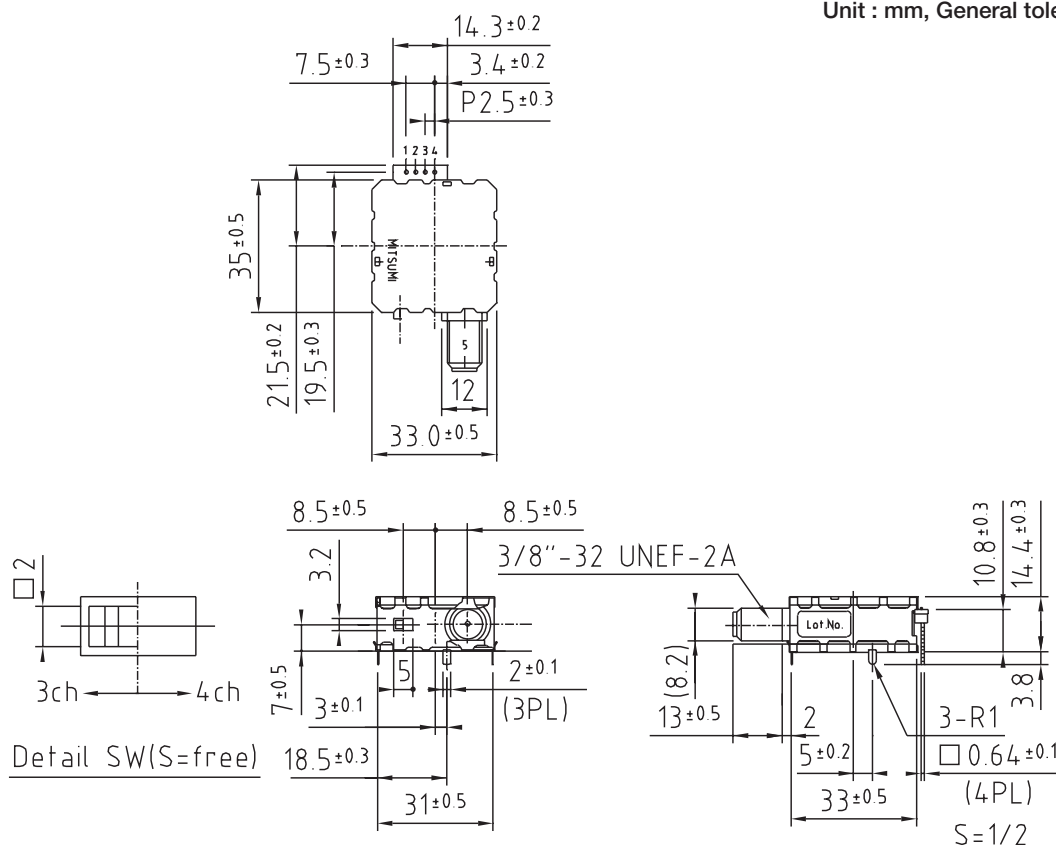
Electrical Specifications

Video Carrier Output	72±4dBμ	66 <sup>+3</sup> <sub>-4</sub> dBμ	
Video Carrier Frequency	91.250 97.250 MHz	55.250 61.250 MHz	61.250 67.250 MHz
Video Percent Modulation	70±10%		
Output V.S.W.R.	3 max.		
Spurious Signals within Assigned Band	60dB max.		
Other Spurious Signals	-30dB max.		
Audio Sub-Carrier Frequency	4.500±0.008MHz		
Audio FM Deviation	25±10kHz		
Video to Audio Level Ratio	9 <sup>+3</sup> <sub>-2</sub> dB	16±3dB	
Video Carrier Frequency Drift vs. Ambient Temperature	±0.150MHz		
Audio Sub-Carrier Frequency Drift vs. Ambient Temperature	±0.020MHz		
Video Signal Input Waveform	2.0Vp-p		
Audio Signal Input Waveform	1.0Vp-p		

\*Specifications may be changed without notice.

DIMENSIONS

Unit : mm, General tolerance : ±0.5



TERMINALS
1. GND
2. +B
3. VIDEO Signal Input
4. AUDIO Signal Input
5. RF Output
Case : GND