



## UMUR1560

Preliminary

DIODE

### SWITCHMODE POWER RECTIFIERS

#### DESCRIPTION

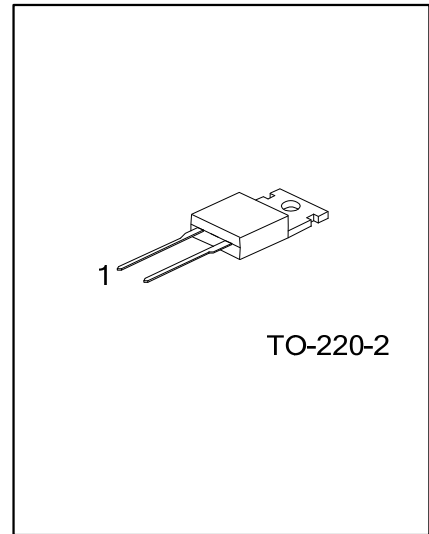
The UTC **UMUR1560** is a switchmode power rectifiers, it uses UTC's advanced technology to provide customers with low forward drop and low leakage current, etc.

The UTC **UMUR1560** is suitable for inverters and switching power supplies, etc.

#### FEATURES

- \* Low forward drop voltage
- \* High voltage capability
- \* Low leakage current

#### SYMBOL



#### ORDERING INFORMATION

Ordering Number		Package	Pin Assignment			Packing
Lead Free	Halogen Free		1	2	3	
UMUR1560L-TA2-T	UMUR1560G-TA2-T	TO-220-2	K	A	NC	Tube

Note: Pin Assignment: A: Anode, K: Cathode

UMUR1560L-TA2-T <ul style="list-style-type: none"> <li>(1) Packing Type</li> <li>(2) Package Type</li> <li>(3) Halogen Free</li> </ul>	<ul style="list-style-type: none"> <li>(1) T: Tube</li> <li>(2) TA2: TO-220-2</li> <li>(3) L: Lead Free, G: Halogen Free</li> </ul>
---	---

### ■ ABSOLUTE MAXIMUM RATINGS

PARAMETER	SYMBOL	RATINGS	UNIT
DC Blocking Voltage	$V_R$	600	V
Working Peak Reverse Voltage	$V_{RWM}$	600	V
Peak Repetitive Reverse Voltage	$V_{RRM}$	600	V
Average Rectified Forward Current (Rated $V_R$ ), $T_C=145^\circ\text{C}$	$I_{F(AV)}$	15	A
Peak Repetitive Forward Current (Rated $V_R$ , Square Wave, 20kHz), $T_C=145^\circ\text{C}$	$I_{FRM}$	30	A
Non-Repetitive Peak Surge Current (Surge Applied at Rated Load Conditions Halfwave, Single Phase, 60Hz)	$I_{FSM}$	150	A
Operating Junction Temperature	$T_J$	-65~+175	$^\circ\text{C}$
Storage Temperature	$T_{STG}$	-65~+175	$^\circ\text{C}$

Note: Absolute maximum ratings are those values beyond which the device could be permanently damaged. Absolute maximum ratings are stress ratings only and functional device operation is not implied.

### ■ THERMAL CHARACTERISTICS

PARAMETER	SYMBOL	RATINGS	UNIT
Junction to Case	$\theta_{JC}$	4.25	$^\circ\text{C/W}$
Junction to Ambient	$\theta_{JA}$	75	$^\circ\text{C/W}$

### ■ ELECTRICAL CHARACTERISTICS

PARAMETER	SYMBOL	TEST CONDITIONS	MIN	TYP	MAX	UNIT
Instantaneous Forward Voltage (Note 1)	$V_F$	$I_F=15\text{A}$ , $T_C=25^\circ\text{C}$			1.50	V
		$I_F=15\text{A}$ , $T_C=150^\circ\text{C}$			1.20	V
Instantaneous Reverse Current (Note 1)	$I_R$	Rated DC Voltage, $T_C=25^\circ\text{C}$			10	$\mu\text{A}$
		Rated DC Voltage, $T_C=150^\circ\text{C}$			1000	$\mu\text{A}$
Reverse Recovery Time	$t_{RR}$	$I_F=1.0\text{A}$ , $di/dt=50\text{A}/\mu\text{s}$		60	70	ns

Note: Pulse Test: Pulse Width=300 $\mu\text{s}$ , Duty Cycle $\leq$ 2.0%.

UTC assumes no responsibility for equipment failures that result from using products at values that exceed, even momentarily, rated values (such as maximum ratings, operating condition ranges, or other parameters) listed in products specifications of any and all UTC products described or contained herein. UTC products are not designed for use in life support appliances, devices or systems where malfunction of these products can be reasonably expected to result in personal injury. Reproduction in whole or in part is prohibited without the prior written consent of the copyright owner. The information presented in this document does not form part of any quotation or contract, is believed to be accurate and reliable and may be changed without notice.