

**80**mm sq.

# San Ace 80

15mm thick (GA type), 15mm thick, 20mm thick (GA type)  
 20mm thick, 25mm thick (GA type), 25mm thick (S type)  
 25mm thick (GV type), 25mm thick  
 25mm thick (San Cooler), 32mm thick (GA type)  
 32mm thick, 38mm thick (HV type), 38mm thick (GA type)  
 38mm thick (GV type), 38mm thick (G type)



## General Specifications

- Material ..... Frame: Plastics (Flammability: UL94V-0),  
 Impeller: Plastics (Flammability: UL94V-0)
- Expected Life ..... Refer to specifications (L10: Survival rate: 90% at 60°C ,  
 rated voltage, and continuously run in a free air state)
- Lead Wire ..... ⊕red ⊖black (Sensor) yellow (Control) (With PWM control function) brown
- Storage Temperature ..... -30°C to +70°C (Non-condensing)

**80×80×15mm** (Mass : 65g) **GA type** **Low Power Consumption Fan**

## Specifications

The following nos. **have PWM controls, pulse sensors, and ribs.**

Model No.	Rated Voltage [V]	Operating Voltage Range [V]	PWM duty cycle <sup>Note1)</sup> [%]	Rated Current [A]	Rated Input [W]	Rated Speed [min <sup>-1</sup> ]	Max. Air Flow [m <sup>3</sup> /min] [CFM]	Max. Static Pressure [Pa] [inchH <sub>2</sub> O]	SPL [dB(A)]	Operating Temperature [°C]	Expected Life <sup>Note2)</sup> [h]
9GA0812P7G001	12	10.2 to 13.8	100	0.29	3.48	6,100	1.44 50.9	84.0 0.34	41	-20 to +70	40,000/60°C (70,000/40°C)
9GA0812P7S001			100	0.17	2.04	5,000	1.18 41.7	56.4 0.23	37		
9GA0824P7G001	24	20.4 to 27.6	100	0.13	3.12	6,100	1.44 50.9	84.0 0.34	41		
9GA0824P7S001			100	0.08	1.92	5,000	1.18 41.7	56.4 0.23	37		

Note 1: Fan does not rotate when PWM duty cycle is 0%.  
 Note 2: Expected life at 40°C ambient is just reference value.

※PWM Frequency : 25kHz

## The following nos. **have pulse sensors and ribs.**

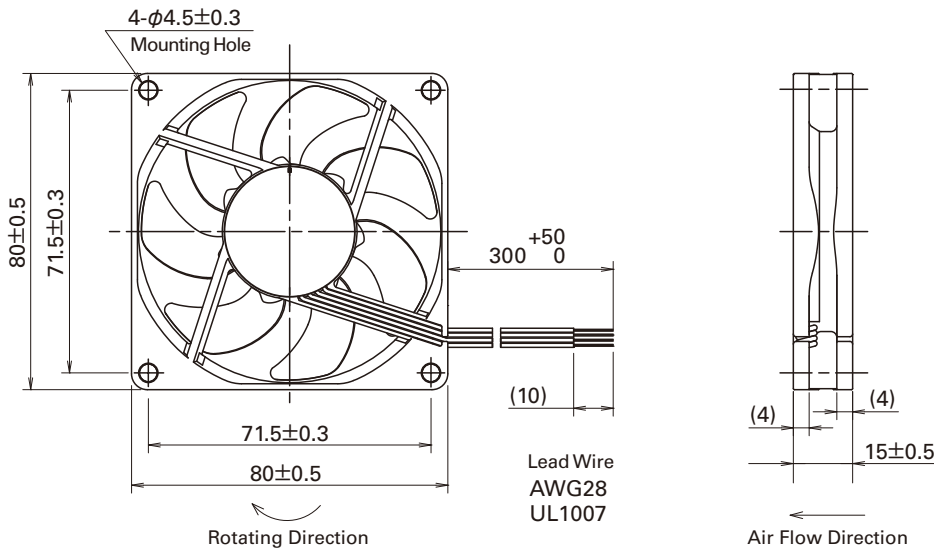
Model No.	Rated Voltage [V]	Operating Voltage Range [V]	Rated Current [A]	Rated Input [W]	Rated Speed [min <sup>-1</sup> ]	Max. Air Flow [m <sup>3</sup> /min] [CFM]	Max. Static Pressure [Pa] [inchH <sub>2</sub> O]	SPL [dB(A)]	Operating Temperature [°C]	Expected Life <sup>Note)</sup> [h]
9GA0812H7001	12	6 to 13.2	0.09	1.08	3,800	0.89 31.4	32.6 0.13	29	-20 to +70	40,000/60°C (70,000/40°C)
9GA0824H7001	24	12 to 26.4	0.05	1.20	3,800	0.89 31.4	32.6 0.13	29		

Note: Expected life at 40°C ambient is just reference value.

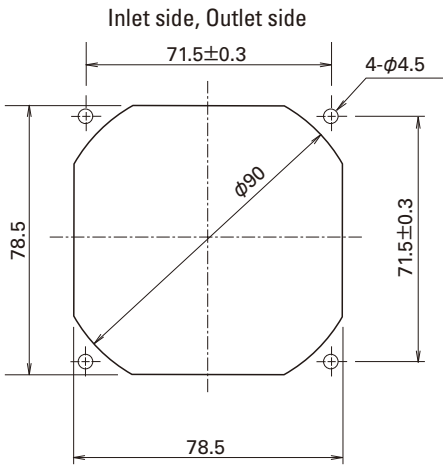
- Available options: ⇒ **Without Sensor** **Pulse Sensor** **Lock Sensor**
- Please inquire as the availability of these functions depend on the model. ⇒ **PWM Control**

## Dimensions (Unit : mm)

(With PWM speed control function · With pulse sensor)



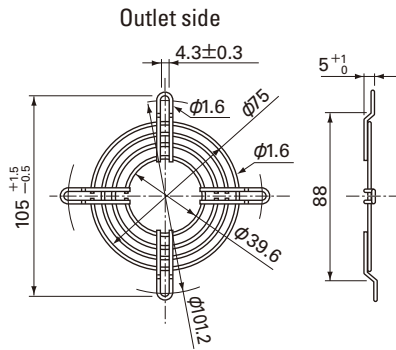
Reference dimension of mounting holes and vent opening (Unit : mm)



Options (Unit : mm)

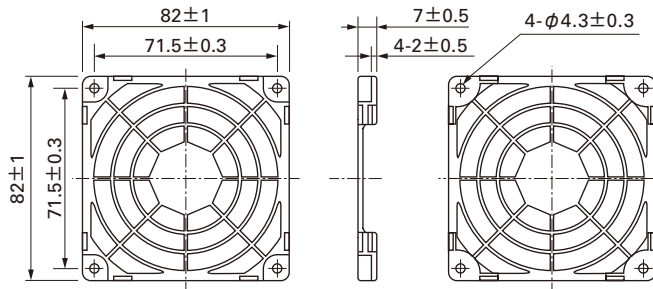
Finger guards

Model : 109-049C Surface treatment : Nickel-chrome plating (silver) Color : Nickel-chrome plating (silver)

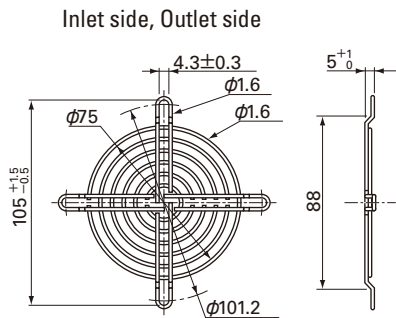


Resin finger guards

Model : 109-1002G

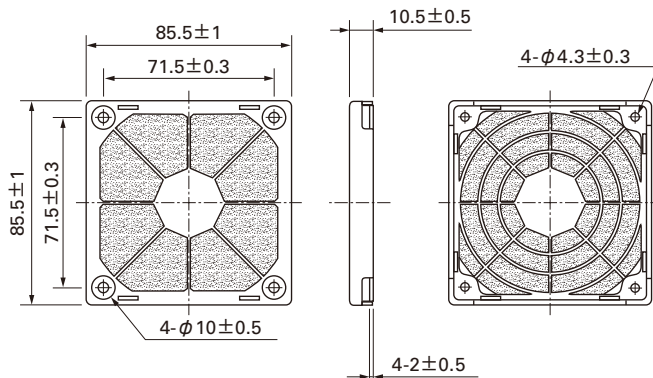


Model : 109-049E Surface treatment : Nickel-chrome plating (silver) Color : Nickel-chrome plating (silver)  
: 109-049H : Cation electropainting (black)



Resin filter kits

Model : 109-1002F13 (13PPI), 109-1002F20 (20PPI)  
: 109-1002F30 (30PPI), 109-1002F40 (40PPI)



# 80mm sq.

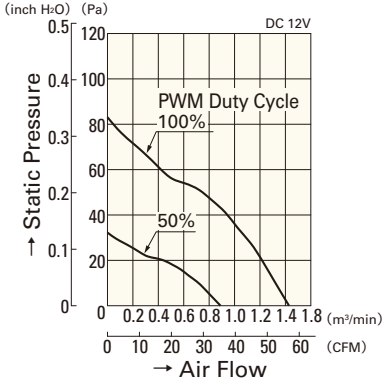
## San Ace 80

80×80×15mm [Mass : 65g]

### Air Flow - Static Pressure Characteristics

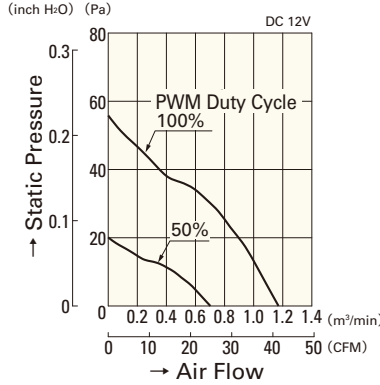
#### PWM Duty Cycle

With PWM speed control function · With pulse sensor



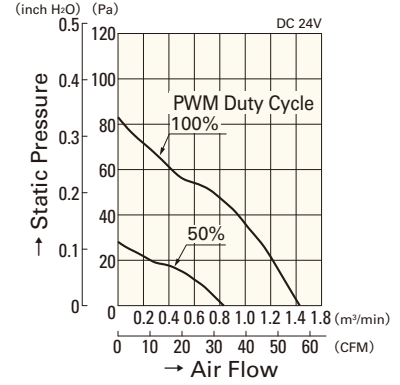
9GA0812P7G001

With PWM speed control function · With pulse sensor



9GA0812P7S001

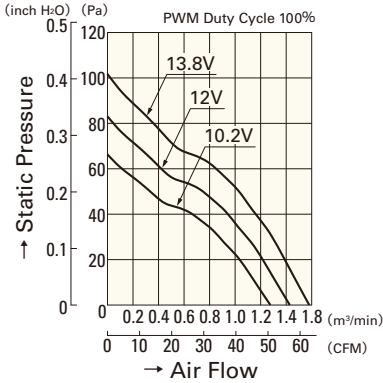
With PWM speed control function · With pulse sensor



9GA0824P7G001

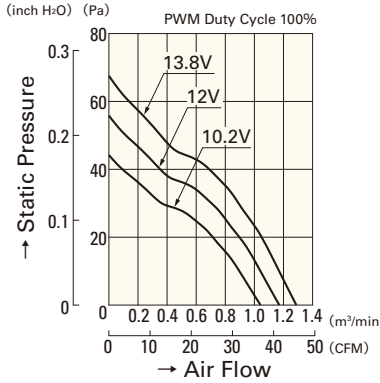
#### Operating Voltage Range

With PWM speed control function · With pulse sensor



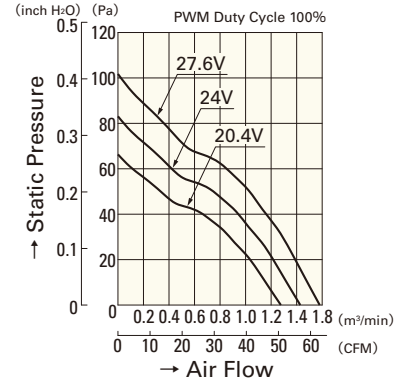
9GA0812P7G001

With PWM speed control function · With pulse sensor



9GA0812P7S001

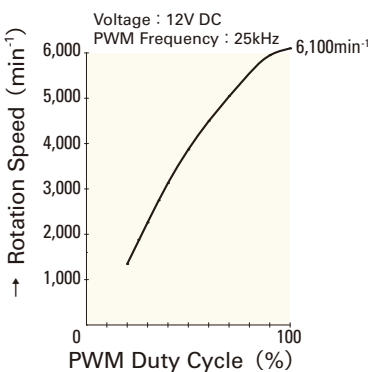
With PWM speed control function · With pulse sensor



9GA0824P7G001

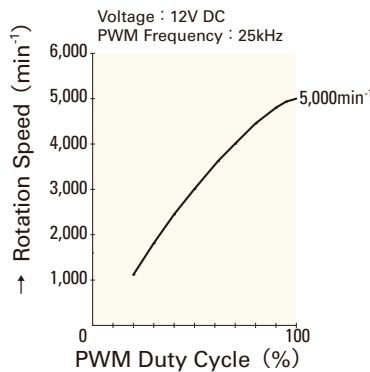
### PWM Duty - Speed Characteristics Example

With PWM speed control function · With pulse sensor



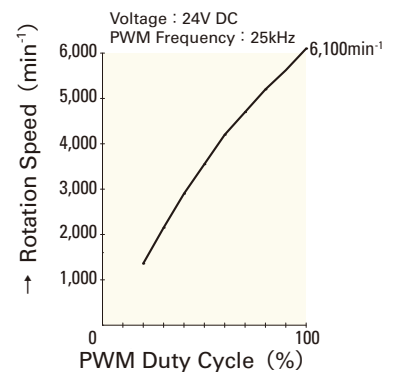
9GA0812P7G001

With PWM speed control function · With pulse sensor



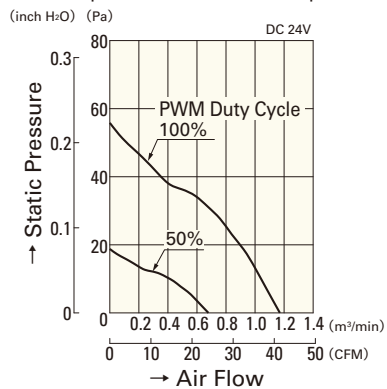
9GA0812P7S001

With PWM speed control function · With pulse sensor



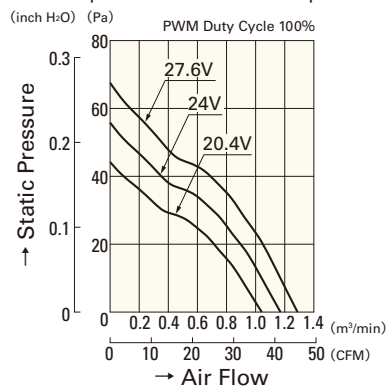
9GA0824P7G001

With PWM speed control function · With pulse sensor



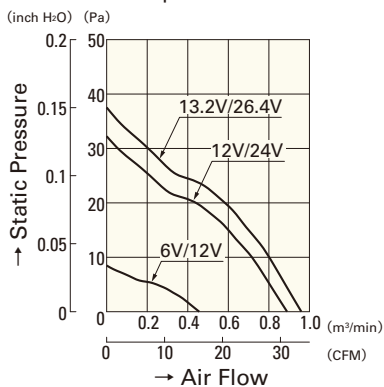
**9GA0824P7S001**

With PWM speed control function · With pulse sensor



**9GA0824P7S001**

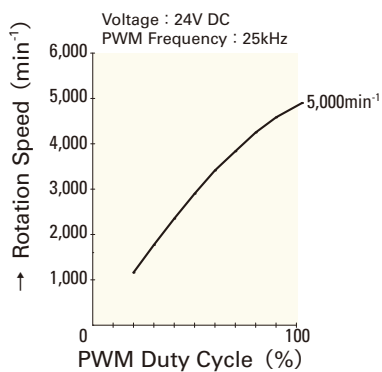
With pulse sensor



**9GA0812H7001**

**9GA0824H7001**

With PWM speed control function · With pulse sensor



**9GA0824P7S001**