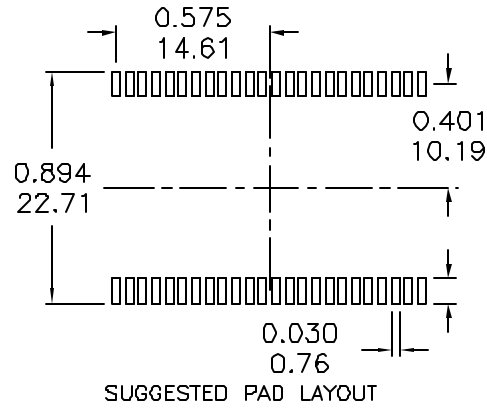
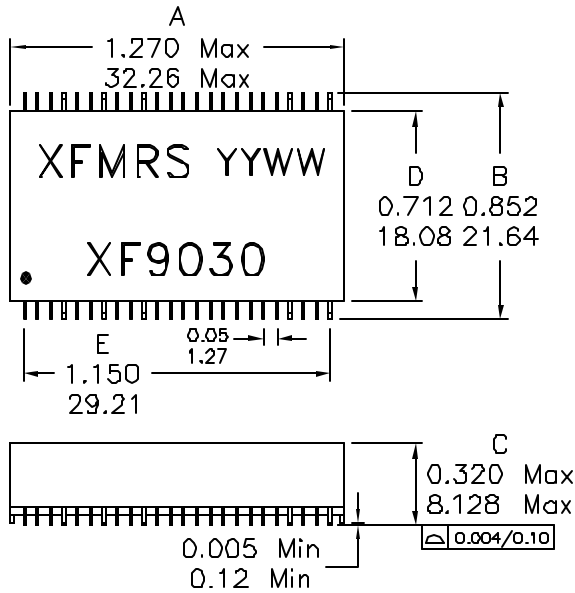
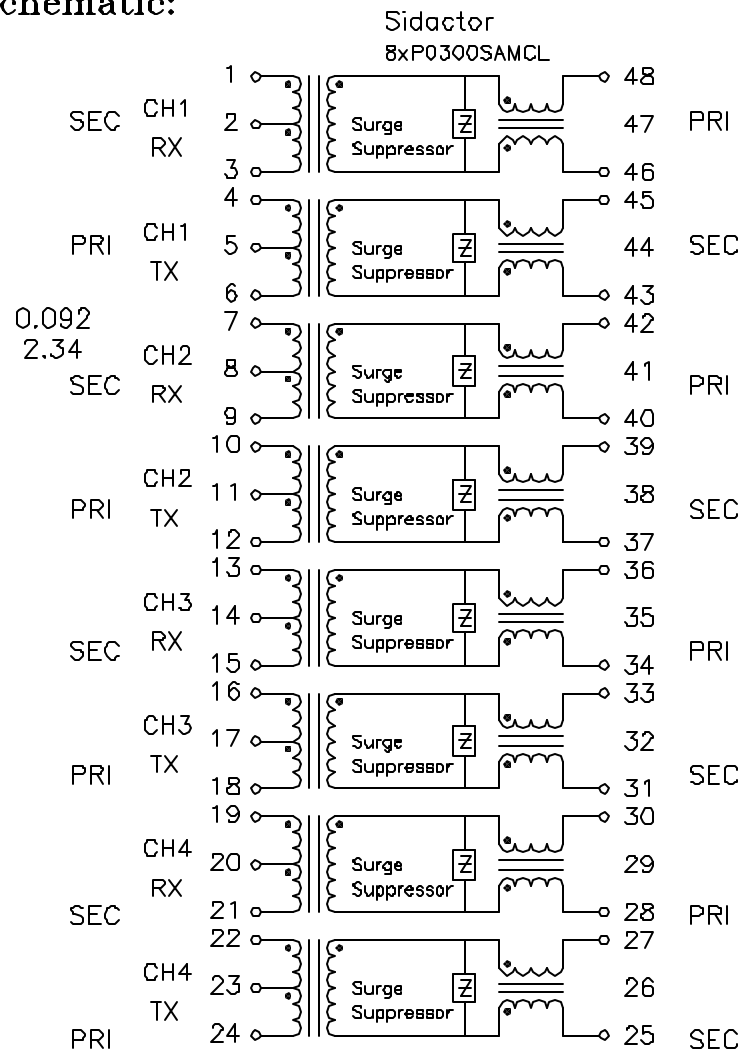


1. Dimensions:



SUGGESTED PAD LAYOUT

2. Schematic:



3. Electrical Specifications: @25°C

- Turns Ratio: PRI/SEC TX 1CT:2 RX 1CT:1
- Isolation Voltage: 1500 Vrms (Input to Output)
- RX PRI OCL: 1.20mH Minimum @100KHz,100mV
- TX PRI OCL: 0.60mH Minimum @100KHz,100mV
- RX PRI Leakage Inductance: 0.8uH Maximum @100KHz 100mV SEC Shorted
- TX PRI Leakage Inductance: 0.5uH Maximum @100KHz 100mV SEC Shorted
- PRI/SEC Cw/w: 35pF Typical @100KHz 100mV

Notes:

1. Solderability: Leads shall meet MIL-STD-202G, Method 208H for solderability.
2. Flammability: UL94V-0
3. ASTM oxygen index: > 28%
4. Insulation System: Glass F 155°C. UL file E15155B
5. Operating Temperature Range: All listed parameters are to be within tolerance from -40°C to +85°C
6. Storage Temperature Range: -55°C to +125°C
7. Aqueous wash compatible
8. SMD Lead Coplanarity: ±0.004*(0.102mm)
9. Electrical and mechanical specifications 100% tested
10. RoHS 5/6 Compliant, 63/37 leaded solder dipping on FG pins
11. Recommended IR Reflow temp 225°C Max.

DOC. REV: A/8

XFMR INC. www.XFMR.com		Title: T1/CEPT/ISDN-PRI TRANSFORMER	
UNLESS OTHERWISE SPECIFIED TOLERANCES: .xxx ±0.010 Inch Dimensions in Inch/mm		P/N: XF9030	REV. A
SHT 1 OF 1		DWN. Xiany	Jul-15-09
		CHK. YK Liao	Jul-15-09
		APP. Joe Huff	Jul-15-09

PROPRIETARY Document is the property of XFMR Group & is not allowed to be duplicated without authorization.