
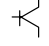


Sensing distance	Supply voltage	Output
 3 to 10 cm, 5 to 25 cm	12 to 24 VDC	 80 mA 100 mA

Photoelectric Sensor

E3S-LS

Focusable Sensors with Built-in DC Amplifiers

- Pinpoint focusable and area focusable models eliminate background objects.
- Ideal for precise detection of level/height, edges, small holes and openings, objects touching one another, objects inside transparent covers.



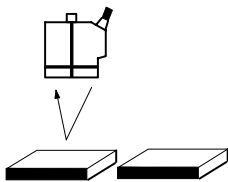
Ordering Information

Sensing method	Sensing distance	Model	
		NPN output	PNP output
Area focusable reflective	5 to 25 cm (continuously variable)	E3S-LS20XE4	E3S-LS20XB4
Pinpoint focusable reflective	3 to 10 cm (continuously variable)	E3S-LS10XE4	E3S-LS10XB4
	3 ± 0.5 cm	E3S-LS3C1D E3S-LS3RC4	---

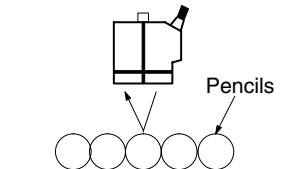
Application Examples

E3S-LS10X

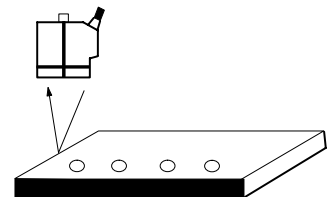
Sensing of objects utilizing their difference in luster.



Sensing of objects traveling in contiguous succession.

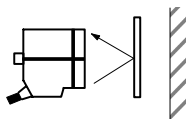


Sensing of small holes, narrow openings, or unevenness.

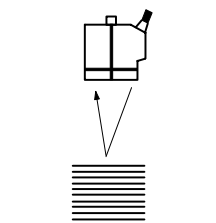


E3S-LS20X

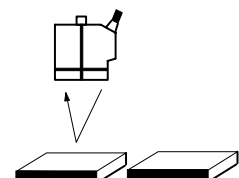
Sensing of objects utilizing their difference in luster.



Sensing of objects traveling in contiguous succession.



Sensing of small holes, narrow openings, or evenness.



Specifications

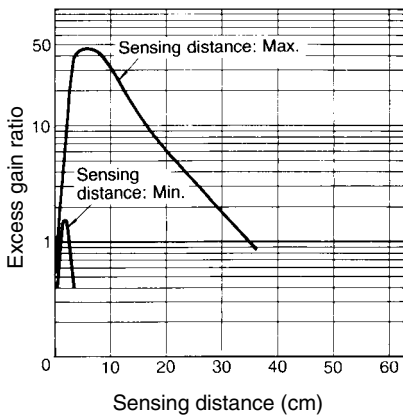
■ Ratings/Characteristics

Item			E3S-LS10X□4	E3S-LS20X□4	E3S-LS3C1D	E3S-LS3RC4
Power supply voltage			12 VDC -10% to 24 VDC +10%, ripple (p-p): 10% max.		5 VDC -10% to 24 VDC +10%, ripple (p-p): 10% max.	12 VDC -10% to 24 VDC +10%, ripple (p-p): 10% max.
Current consumption			40 mA max.			
Sensing distance			3 to 10 cm (variable with distance adjuster)	5 to 25 cm (variable with distance adjuster)	3±0.5 cm	
Differential travel			0.5 mm max. at 3 cm 3 mm max. at 10 cm	5% max.	---	
Standard objects			1 x 1 cm white mat paper	5 x 7.5 cm white mat paper	1 x 1 cm white mat paper	
Control output	DC solid-state	Load	Model with suffix -E4: Model with suffix -B4:	80 mA max. 100 mA max.	30 mA max.	50 mA max.
		Voltage output	1.1 V max. at 80 mA	2 V max.		
Response time (ON, OFF)			1 ms max.		ON: 3 ms OFF: 100 ms	1 ms max.
Sensitivity			Adjustable		---	Adjustable
Operation mode			Wire-selectable (Refer to "Output Circuit.")		---	Wire-selectable (Refer to "Output Circuit.")
Indicators			Light indicator (red), stability indicator (green)		Operation indicator (red)	Light indicator (red)
Circuit protection			Short circuit			
Mutual interference protection			Provided		---	Provided
Enclosure rating	IEC 144	IP67			IP40	
	NEMA	1, 3, 4X, 6, 12			---	
Housing material			Metal		Plastic	
Light source			Red LED	Infrared LED		Red LED
Ambient temperature			Operating: -25 to 55 °C		Operating: -10 to 55 °C	

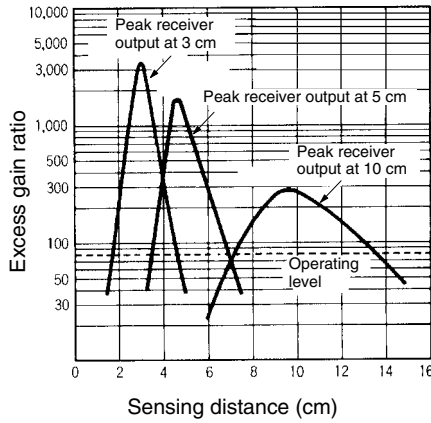
Engineering Data

Excess Gain Ratio

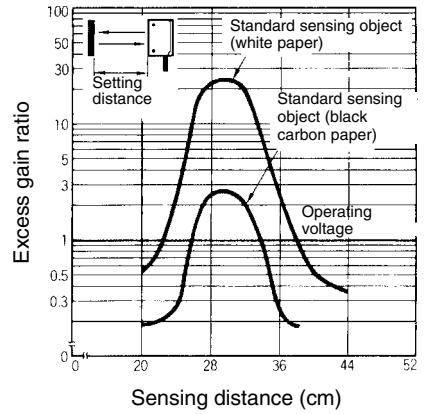
E3S-LS20XE4



E3S-LS10XE4



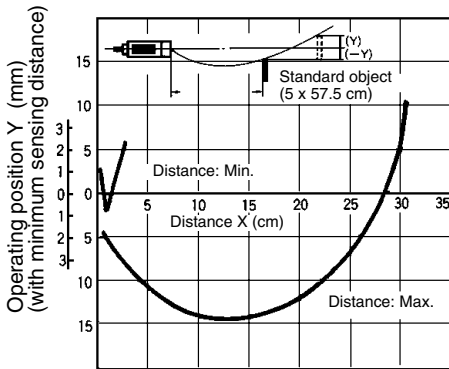
E3S-LS3RC4



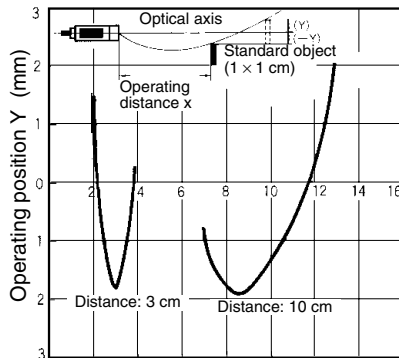
- Note:**
1. Sensitivity adjustor: Set to MAX.
 2. This graph shows the relationship between the optical output and setting distance by adjusting the sensitivity adjustor so that the optical output will be maximum at a sensing distance of 3, 5, or 10 cm.

Operating Range

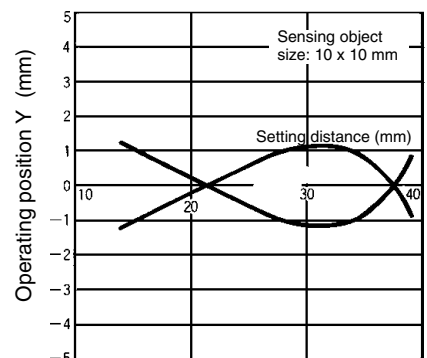
E3S-LS20XE4



E3S-LS10XE4

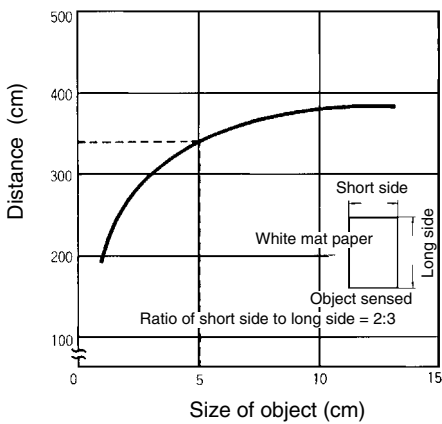


E3S-LS3RC4



Sensitivity

E3S-LS20XE4



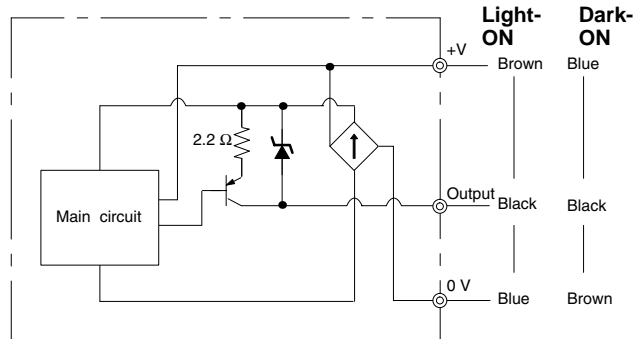
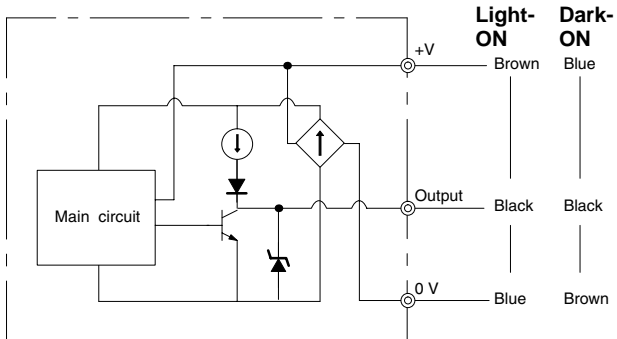
Operation

■ Output Circuits

E3S-LS10X

-E4 Type (NPN Output)

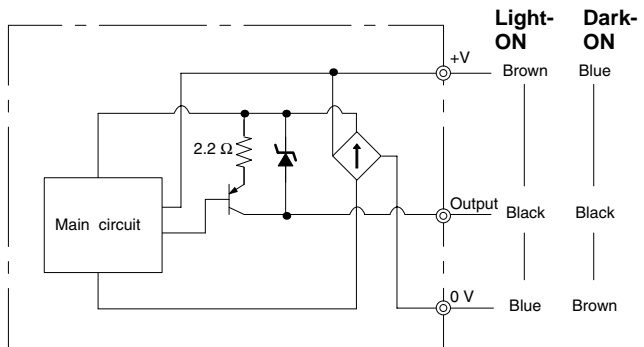
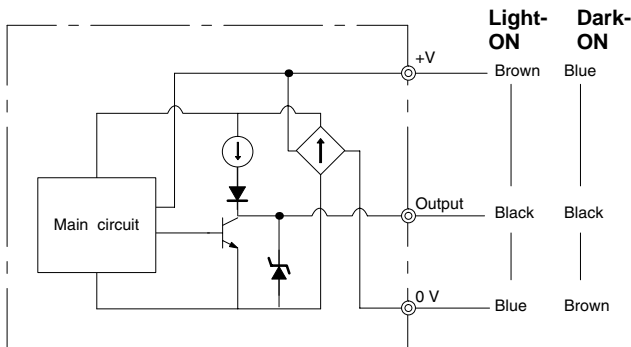
-B4 Type (PNP Output)



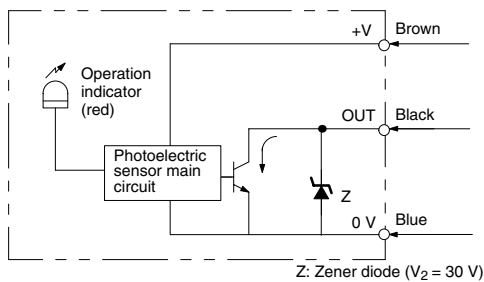
E3S-LS20X

-E4 Type (NPN Output)

-B4 Type (PNP Output)



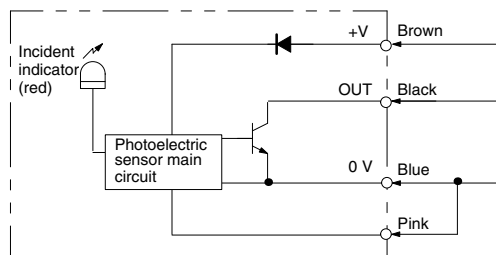
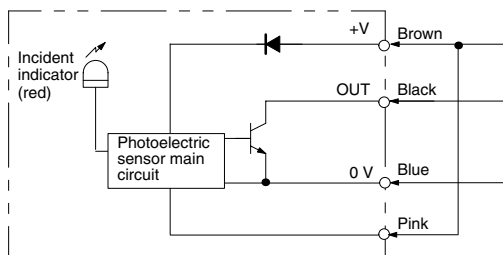
E3S-LS3C1D



E3S-LS3RC4

Light-ON

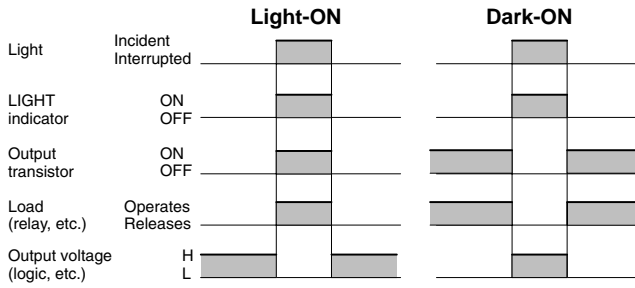
Dark-ON



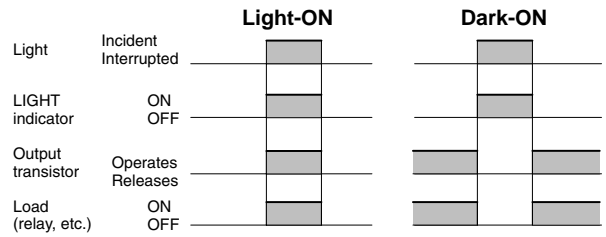
■ Timing Chart

E3S-LS10X

-E4 Type (NPN Output)

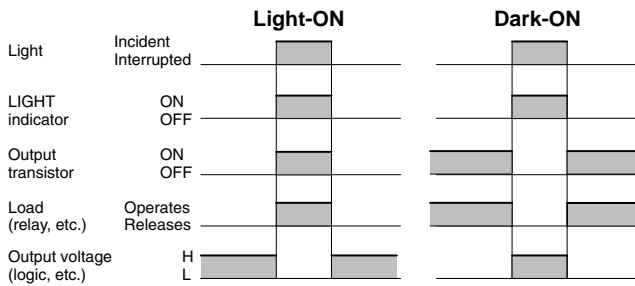


-B4 Type (PNP Output)

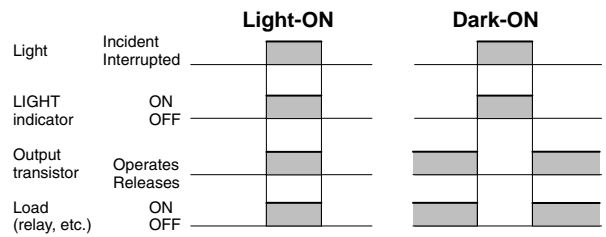


E3S-LS20X

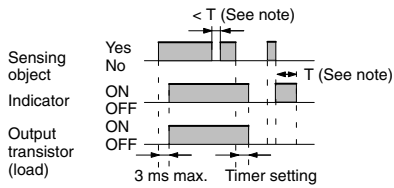
-E4 Type (NPN Output)



-B4 Type (PNP Output)

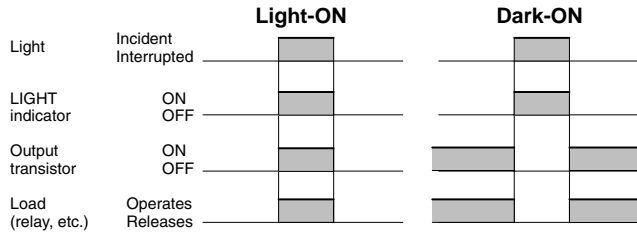


E3S-LS3C1D



Note: Timer setting
 $T = 0.1$ to 1 s

E3S-LS3RC4



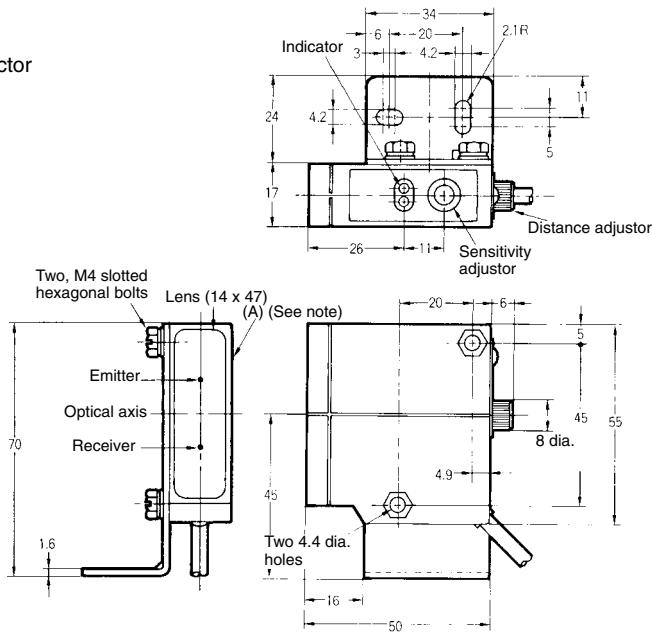
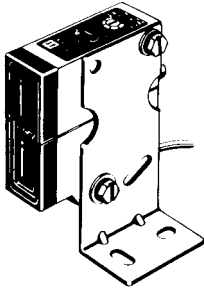
(Between brown and black lines)

Dimensions

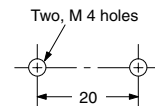
Note: All units are in millimeters unless otherwise indicated.

E3S-LS10X□4
E3S-LS20X□4

Cord: 4-mm dia., 18/0.12, 3-conductor
Standard length: 2 m
Weight: approx. 225 g



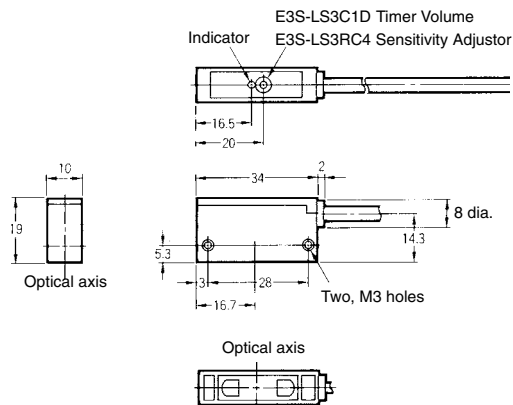
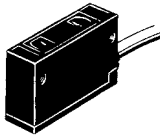
Mounting Holes



Note: A mounting bracket can be attached to side A.

E3S-LS3C1D
E3S-LS3RC4

Cord: 4-mm dia., 18/0.12, 3-conductor
Standard length: 2 m
Weight: approx. 60 g



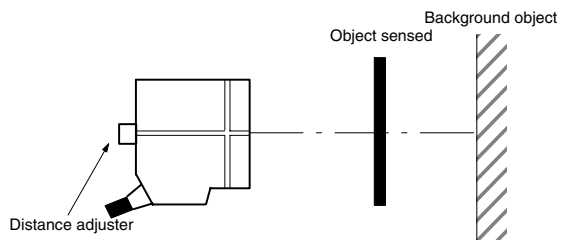
Precautions

Sensing Distance Adjustment

E3S-LS10XE4

Adjustment Method

1. Set the pointer of the sensitivity adjuster to the center of its revolution range.
2. Turn the distance adjuster fully counterclockwise to the "S" position.
3. Set the sensing object in position.
4. Turn the distance adjuster gradually clockwise to a point where both the LIGHT and STABILITY indicators light. Fix the distance adjuster at that point.
5. Adjust sensitivity.

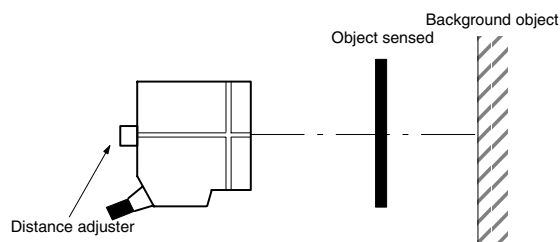


E3S-LS20XE4

Adjustment Method 1

When the quantity of light reflected from the object is greater than that from the background object, adjust the sensing distance in the following sequence:

1. Set the pointer of the sensitivity adjuster to the center of its revolution range.
2. Turn the distance adjuster fully counterclockwise to the "S" position.
3. Set the sensing object in position.
4. Turn the distance adjuster gradually clockwise to a point where both the LIGHT and STABILITY indicators light. Fix the distance adjuster at that point.
5. Adjust sensitivity.



Adjustment Method 2

When the quantity of light reflected from the object is greater than that from the background object, adjust the sensing distance in the following sequence:

1. Set the pointer of the sensitivity adjuster to the center of its revolution range.
2. Turn the distance adjuster fully counterclockwise to the "L" position.
3. Remove the sensing object.
4. Turn the distance adjuster gradually clockwise to a point where both the LIGHT and STABILITY indicators light. Fix the distance adjuster at that point.
5. Adjust sensitivity.

Read and Understand This Catalog

Please read and understand this catalog before purchasing the products. Please consult your OMRON representative if you have any questions or comments.

Warranty and Limitations of Liability

WARRANTY

OMRON's exclusive warranty is that the products are free from defects in materials and workmanship for a period of one year (or other period if specified) from date of sale by OMRON.

OMRON MAKES NO WARRANTY OR REPRESENTATION, EXPRESS OR IMPLIED, REGARDING NON-INFRINGEMENT, MERCHANTABILITY, OR FITNESS FOR PARTICULAR PURPOSE OF THE PRODUCTS. ANY BUYER OR USER ACKNOWLEDGES THAT THE BUYER OR USER ALONE HAS DETERMINED THAT THE PRODUCTS WILL SUITABLY MEET THE REQUIREMENTS OF THEIR INTENDED USE. OMRON DISCLAIMS ALL OTHER WARRANTIES, EXPRESS OR IMPLIED.

LIMITATIONS OF LIABILITY

OMRON SHALL NOT BE RESPONSIBLE FOR SPECIAL, INDIRECT, OR CONSEQUENTIAL DAMAGES, LOSS OF PROFITS, OR COMMERCIAL LOSS IN ANY WAY CONNECTED WITH THE PRODUCTS, WHETHER SUCH CLAIM IS BASED ON CONTRACT, WARRANTY, NEGLIGENCE, OR STRICT LIABILITY.

In no event shall responsibility of OMRON for any act exceed the individual price of the product on which liability is asserted.

IN NO EVENT SHALL OMRON BE RESPONSIBLE FOR WARRANTY, REPAIR, OR OTHER CLAIMS REGARDING THE PRODUCTS UNLESS OMRON'S ANALYSIS CONFIRMS THAT THE PRODUCTS WERE PROPERLY HANDLED, STORED, INSTALLED, AND MAINTAINED AND NOT SUBJECT TO CONTAMINATION, ABUSE, MISUSE, OR INAPPROPRIATE MODIFICATION OR REPAIR.

Application Considerations

SUITABILITY FOR USE

OMRON shall not be responsible for conformity with any standards, codes, or regulations that apply to the combination of products in the customer's application or use of the product.

At the customer's request, OMRON will provide applicable third party certification documents identifying ratings and limitations of use that apply to the products. This information by itself is not sufficient for a complete determination of the suitability of the products in combination with the end product, machine, system, or other application or use.

The following are some examples of applications for which particular attention must be given. This is not intended to be an exhaustive list of all possible uses of the products, nor is it intended to imply that the uses listed may be suitable for the products:

- Outdoor use, uses involving potential chemical contamination or electrical interference, or conditions or uses not described in this catalog.
- Nuclear energy control systems, combustion systems, railroad systems, aviation systems, medical equipment, amusement machines, vehicles, safety equipment, and installations subject to separate industry or government regulations.
- Systems, machines, and equipment that could present a risk to life or property.

Please know and observe all prohibitions of use applicable to the products.

NEVER USE THE PRODUCTS FOR AN APPLICATION INVOLVING SERIOUS RISK TO LIFE OR PROPERTY WITHOUT ENSURING THAT THE SYSTEM AS A WHOLE HAS BEEN DESIGNED TO ADDRESS THE RISKS, AND THAT THE OMRON PRODUCT IS PROPERLY RATED AND INSTALLED FOR THE INTENDED USE WITHIN THE OVERALL EQUIPMENT OR SYSTEM.

Disclaimers

CHANGE IN SPECIFICATIONS

Product specifications and accessories may be changed at any time based on improvements and other reasons.

It is our practice to change model numbers when published ratings or features are changed, or when significant construction changes are made. However, some specifications of the product may be changed without any notice. When in doubt, special model numbers may be assigned to fix or establish key specifications for your application on your request. Please consult with your OMRON representative at any time to confirm actual specifications of purchased product.

DIMENSIONS AND WEIGHTS

Dimensions and weights are nominal and are not to be used for manufacturing purposes, even when tolerances are shown.

ERRORS AND OMISSIONS

The information in this catalog has been carefully checked and is believed to be accurate; however, no responsibility is assumed for clerical, typographical, or proofreading errors, or omissions.

PERFORMANCE DATA

Performance data given in this catalog is provided as a guide for the user in determining suitability and does not constitute a warranty. It may represent the result of OMRON's test conditions, and the users must correlate it to actual application requirements. Actual performance is subject to the OMRON Warranty and Limitations of Liability.

PROGRAMMABLE PRODUCTS

OMRON shall not be responsible for the user's programming of a programmable product, or any consequence thereof.

COPYRIGHT AND COPY PERMISSION

This catalog shall not be copied for sales or promotions without permission.

This catalog is protected by copyright and is intended solely for use in conjunction with the product. Please notify us before copying or reproducing this catalog in any manner, for any other purpose. If copying or transmitting this catalog to another, please copy or transmit it in its entirety.