

|           |                |            |  |
|-----------|----------------|------------|--|
| Model NO. | BPHE010C551    | Model Name | LED Driver                                   |
| Part NO.  | PLKBPHE010C551 | SIZE       | 97.5 * 40 * 30.5 mm 【3.84 * 1.57 * 1.2 inch】 |



**FEATURES**

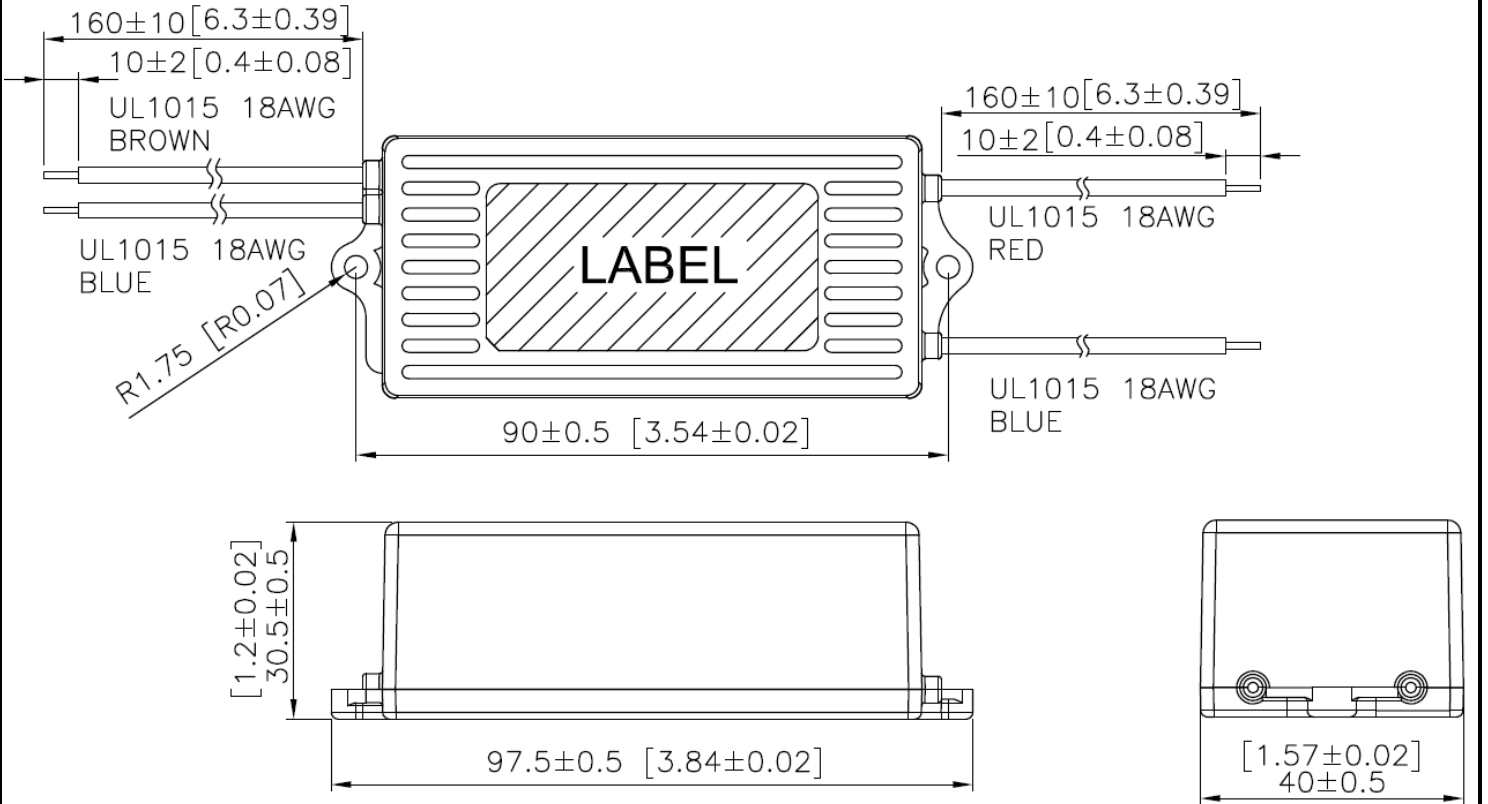
- ◆ AC Input 90~264Vac
- ◆ Protection: SCP / OTP / OVP
- ◆ High Operating ambient Temp: -20°C ~ +60°C
- ◆ Safety: TUV
- ◆ EMC: Meet CE
- ◆ Comply with Indoor/Outdoor Waterproof (IP 67)
- ◆ Dimension (L\*W\*H): 97.5 \* 40 \* 30.5 mm
- ◆ Dimension (L\*W\*H): 3.84 \* 1.57 \* 1.2 inch
- ◆ ROHS Compliant

| Module : BPHE010C551 |                               | *,# =SEE NOTES BELOW  |       |       |
|----------------------|-------------------------------|---|-------|-------|
| *(9)                 | MODEL                         | BPHE010C551   |       |       |
|                      | SPECIFICATION                 | min.  | norm. | max.  |
|                      | DC OUTPUT VOLTAGE (V)         |   | 18    |       |
| *                    | PRESET ACCURACY (%) *(8)      |   | 10    |       |
| *                    | OUTPUT CURRENT(A) *(5)        | 0.504   | 0.56  | 0.616 |
| *                    | O/P NOISE (P-P, V) *(3)       |   |       | 0.25  |
| *                    | LINE REGULATION (%) *(7)      |   | 10    |       |
| *                    | LOAD REGULATION (%) *(6)      |   | 10    |       |
|                      | DC OUTPUT POWER               |   | 9.9 W |       |
|                      | EFFICIENCY(typ @Full Load)    |   | 70%   |       |
|                      | TURN ON DELAY TIME, Softstart | 3200ms,2000ms at full load 115VAC/230VAC                                      |       |       |
|                      | INPUT VOLTAGE RANGE           | 90-264VAC, 127-373VDC, Normal : 100-240VAC                                    |       |       |
|                      | INPUT FREQUENCY               | Range:47-63Hz, Normal : 50-60Hz   |       |       |
|                      | INRUSH CURRENT (typ)          | COLD START 40A @ 230VAC   |       |       |
|                      | AC CURRENT                    | 0.3A/115VAC   |       |       |
|                      | LEAKAGE CURRENT               | <0.7mA/264VAC   |       |       |
|                      | SHORT CIRCUIT PROTECTION      | SCP, OTP, OVP will restart automatically after the fault condition is removed |       |       |
|                      | OVER TEMP. PROTECTION         |   |       |       |
|                      | OVER V, PROTECTION            |   |       |       |
| *                    | OPERATING TEMP.*(4)           | -20 to +60°C @full load   |       |       |
|                      | STORAGE TEMPERATURE           | -40 to +80°C  |       |       |
|                      | RELATIVE HUMIDITY             | 10 to +95%  |       |       |
|                      | TEMP. COEFFICIENT             | 0.03% / °C (0-50°C, typ)  |       |       |
|                      | SAFETY                        | TUV EN61347-2-13  |       |       |
|                      | EMI                           | Meet CE EN55015   |       |       |
|                      | DIMENSIONS(L*W*H)             | 97.5 * 40 * 30.5 mm 【3.84 * 1.57 * 1.2 inch】                                  |       |       |
|                      |                               |   |       |       |
|                      |                               |   |       |       |
|                      |                               |   |       |       |
|                      |                               |   |       |       |

NOTES : (1)All parameters not specially mentioned are measured 230VAC input.  
 (2)All specifications Typical @25°C, unless otherwise noted, at normal line and load.  
 (3)Ripple and Noise measured directly at pins/terminals at nom. load, @20MHz bandwidth.  
 (4)Specified for free-air convection cooling.  
 (5)Minimum load is NOT required for proper operation .  
 (6)Load regulation measured from 20% to Full load.  
 (7)Line regulation measured from 100VAC to 240VAC.  
 (8)Preset accuracy measured at normal load, 120VAC input.  
 (9)100% Production Tested.

|           |                |            |  |
|-----------|----------------|------------|--|
| Model NO. | BPHE010C551    | Model Name | LED Driver                                   |
| Part NO.  | PLKBPHE010C551 | SIZE       | 97.5 * 40 * 30.5 mm 【3.84 * 1.57 * 1.2 inch】 |

**Dimensions**



Unit : mm 【inch】

✘Reference