

MICRO SWITCH

FREERPORT, ILLINOIS, U.S.A.
A DIVISION OF HONEYWELL

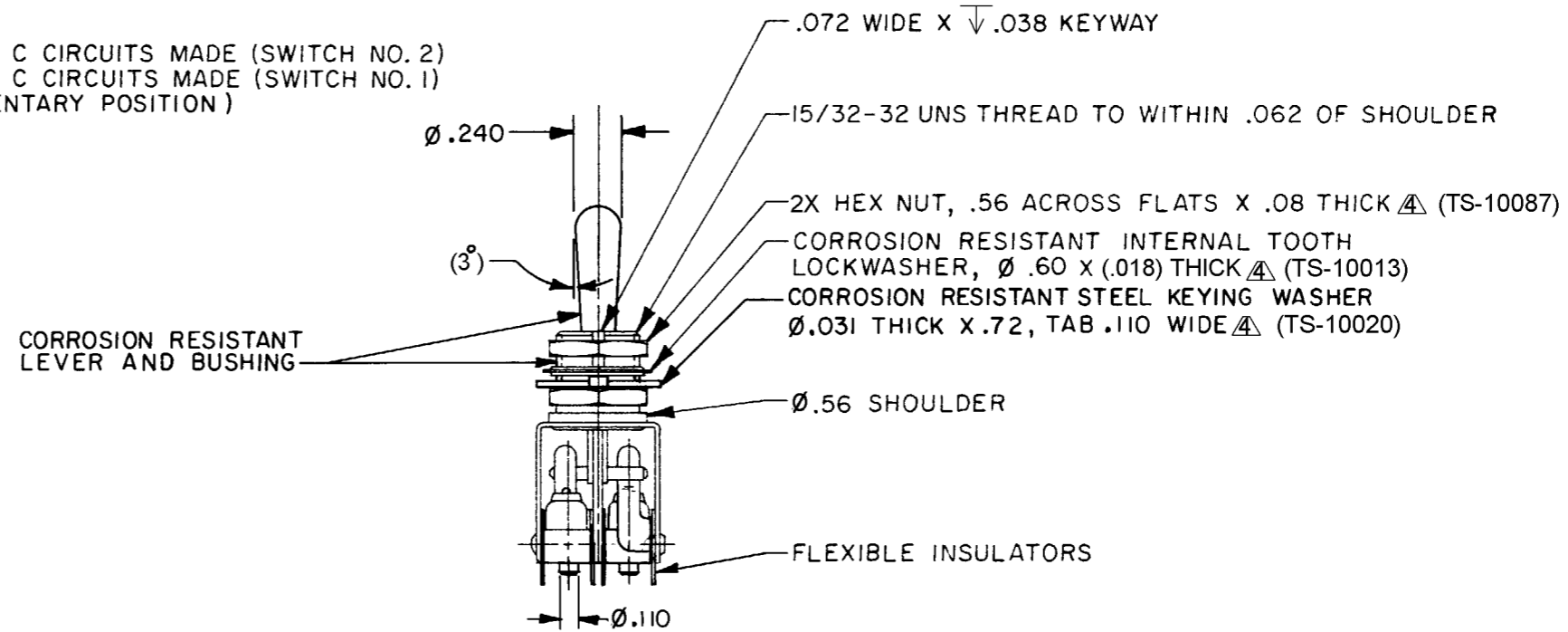
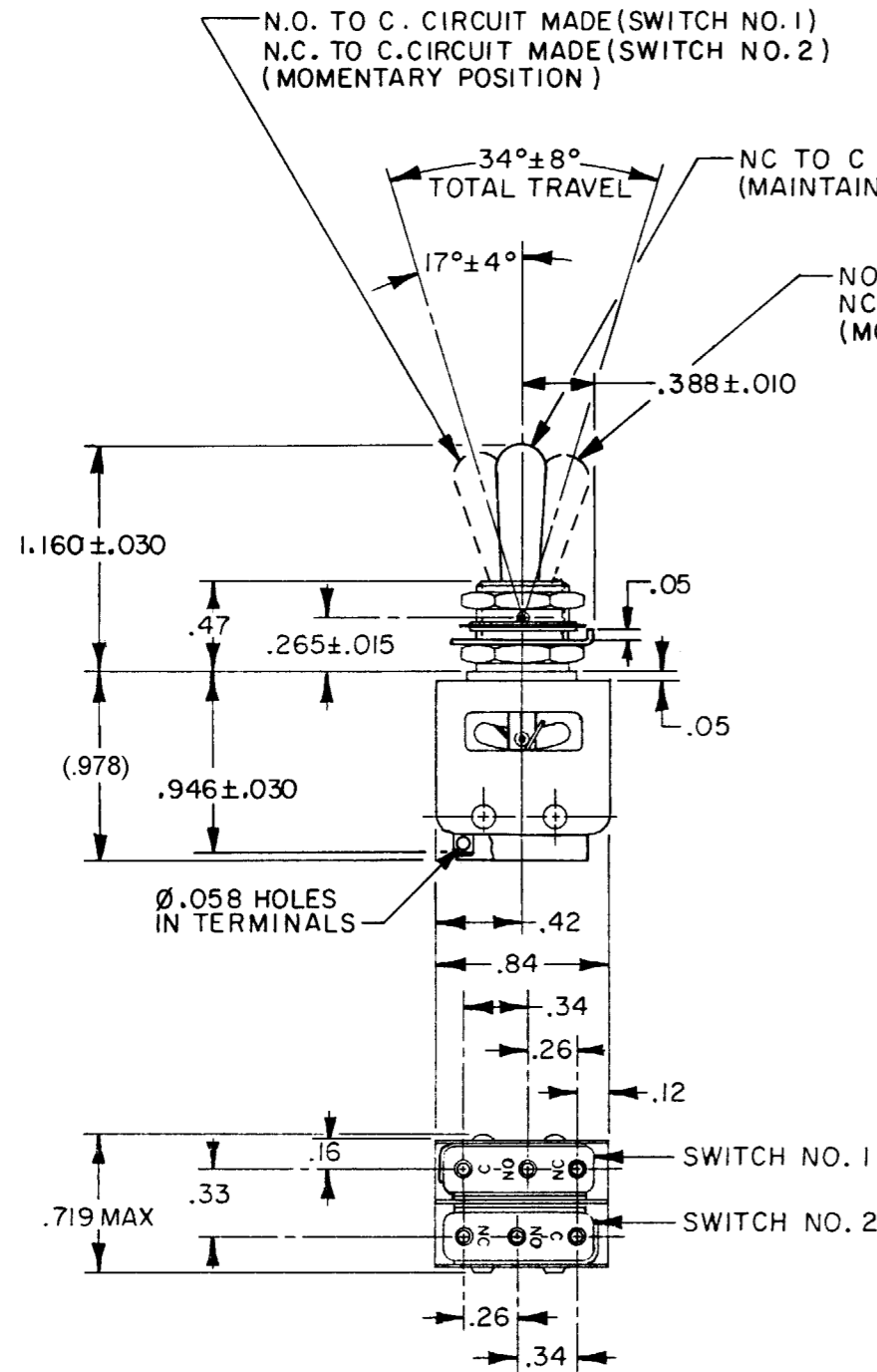
FED. MFG. CODE 91929

**ASSEMBLY
TOGGLE SWITCH**

CATALOG LISTING

13AT26

CATALOG LISTING
13AT26
PAGE 1 OF 1
RELEASE NO. SR-7127
REPLACES
DRAWING NUMBER
M
ISSUE
7
CHECK
REVISIONS
A 203820
G J W
30 AUG 01
B 204763
C S L
24 JAN 02
C 205663
G J W
10 JUN 02
CHECK
30AUG01
SAV
CHECK
30AUG01
DRAWN
G J W
FO-52851-B
RASTER



ANSI Y14.5M-1982 APPLIES

THIS DRAWING COVERS A PROPRIETARY ITEM AND IS THE PROPERTY OF MICRO SWITCH, A DIVISION OF HONEYWELL. THIS DRAWING IS NOT TO BE COPIED OR USED WITHOUT THE APPROVAL OF MICRO SWITCH.

SCALE FULL

DO NOT SCALE PRINT

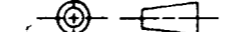
TOLERANCES

APPLY TO DESIGN UNITS. CONVERSIONS ARE ONLY FOR REFERENCE. UNLESS NOTED, TOLERANCES ARE ±

DIM.	TOL.	DIM.	TOL.
mm	mm/in	in	mm/in
NO PLACES	X	1/104	X, X
ONE PLACE	X, X	0.4/018	X, X, X
TWO PLACES	X, XX	0.15/008	X, XX, XXX
THREE PLACES	X, XXX		
ANGLES			

DESIGN UNITS SI METRIC US CUSTOMARY

THIRD ANGLE PROJECTION



WEIGHT

CHARACTERISTICS

ELECTRICAL DATA

CONTACT ARRANGEMENT
2X SPDT

30 VOLTS DC RATING

INDUCTIVE ----- SEA LEVEL - 1/2 AMP
50,000 FT - 1/2 AMP
RESISTIVE ----- SEA LEVEL - 1 AMP
50,000 FT - 1 AMP
MAXIMUM INRUSH ----- 2 AMP

NOTES

- 1 - UNIT INCLUDES 2X CATALOG LISTING "1SM23" TYPE BASIC SWITCHES
- 2 - TERMINALS ARE PLATED FOR SOLDERING
- 3 - BASIC SWITCHES HAVE 24K GOLD OVERLAY CONTACTS
- 4 - HARDWARE FURNISHED ASSEMBLED WITH SWITCH OR IN PACKET 15PA312-AT PER MIL-PRF-8805
- 5 - REPLACEMENT MOUNTING HARDWARE PACKET 15PA312-AT