

**120**mm sq.

# San Ace 120

25mm thick (S type), 25mm thick (GV type)  
 25mm thick (G type), 38mm thick (HV type)  
 38mm thick (GV type), 38mm thick (G type)  
 38mm thick (SG type)



## General Specifications

- Material ..... Frame: Plastics (Flammability: UL94V-0),  
 Impeller: Plastics (Flammability: UL94V-1)
- Expected Life ..... Refer to specifications (L10:Survival rate:90% at 60°C ,  
 rated voltage, and continuously run in a free air state)
- Lead Wire ..... ⊕red ⊖black (Sensor) yellow
- Storage Temperature ..... -30°C to +70°C (Non-condensing)

**120×120×25mm** [Mass : 140g] **S type** **Silent Fan**

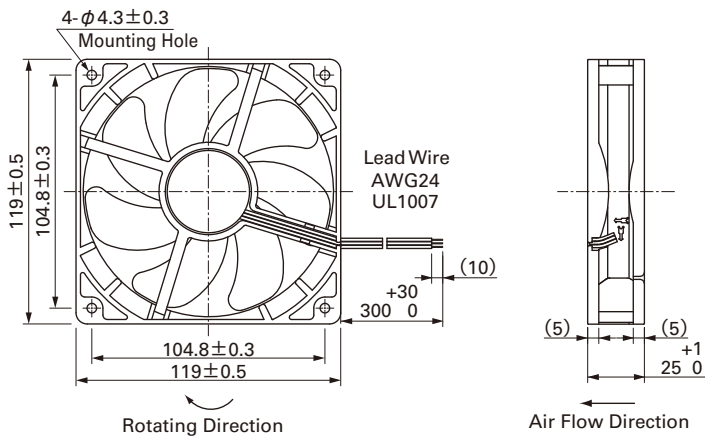
**Specifications** The following nos. **have pulse sensors and ribs.** For ribless, append "1" to the model no.

Model No.	Rated Voltage [V]	Operating Voltage Range [V]	Rated Current [A]	Rated Input [W]	Rated Speed [min <sup>-1</sup> ]	Max. Air Flow [m <sup>3</sup> /min] [CFM]	Max. Static Pressure [Pa] [inchH <sub>2</sub> O]	SPL [dB(A)]	Operating Temperature [°C]	Expected Life [h]
9S1212H401	12	5.0 to 13.2	0.39	4.68	2,700	2.45 86.5	45.2 0.18	36	-10 to +60	40,000
9S1212F401		5.0 to 13.8	0.19	2.28	2,200	2.00 70.6	30.0 0.12	30		
9S1212M401		6.0 to 13.8	0.13	1.56	1,850	1.66 58.6	22.7 0.09	24		
9S1212L401		7.0 to 13.8	0.08	0.96	1,500	1.36 48.1	14.9 0.06	17		
9S1224M401	24	14 to 26.4	0.06	1.44	1,850	1.66 58.6	22.7 0.090	24		

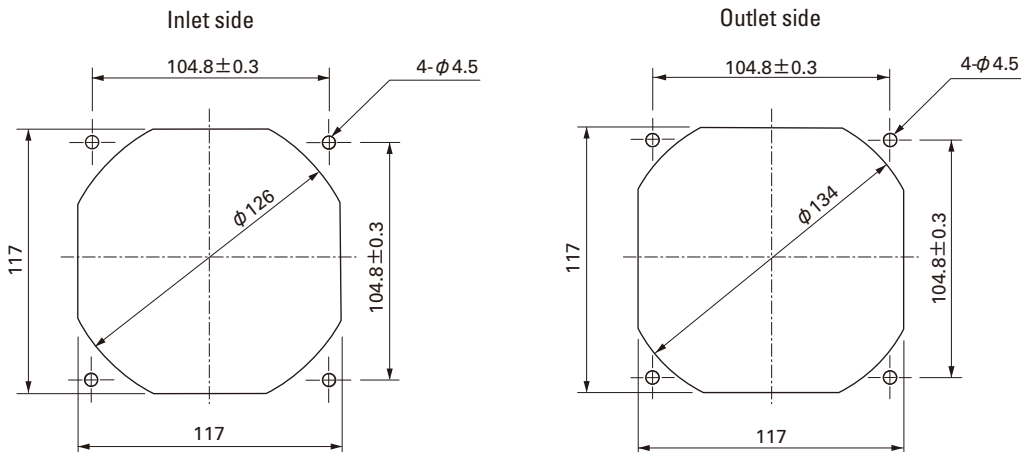
Available options: ⇒ **Without Sensor**

Please inquire as the availability of these functions depend on the model. ⇒ **Lock Sensor** **PWM Control**

## Dimensions (Unit : mm) (With ribs)



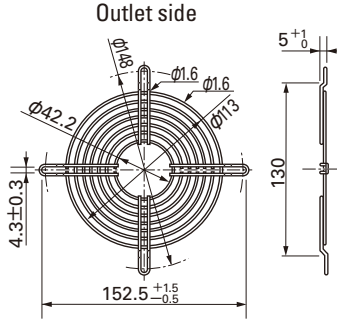
## Reference dimension of mounting holes and vent opening (Unit : mm)



## Options (Unit : mm)

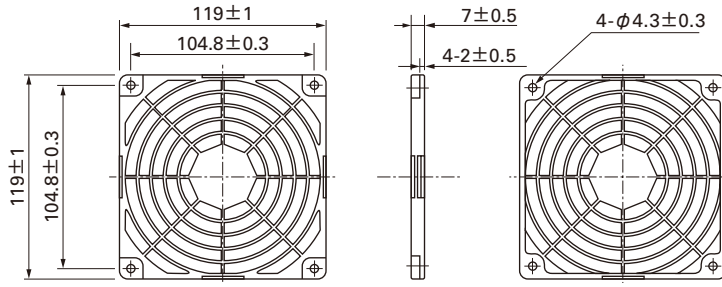
### Finger guards

Model : 109-019C Surface treatment : Nickel-chrome plating (silver) Color  
 : 109-019H : Cation electropainting (black)



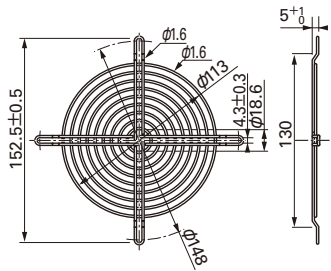
### Resin finger guards

Model : 109-1000G



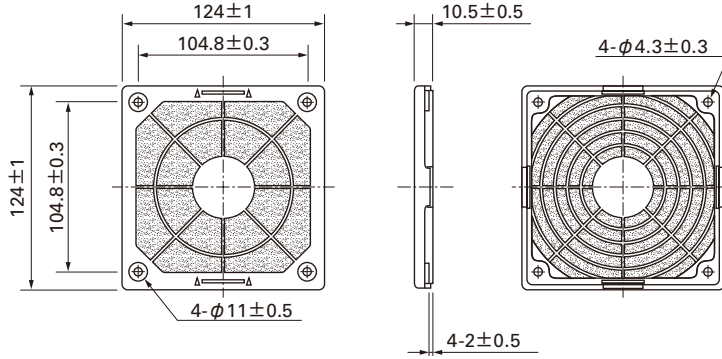
Model : 109-019E Surface treatment : Nickel-chrome plating (silver) Color  
 : 109-019K : Cation electropainting (black)

### Inlet side, Outlet side

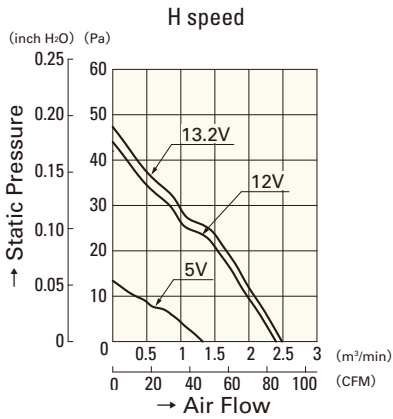


### Resin filter kits

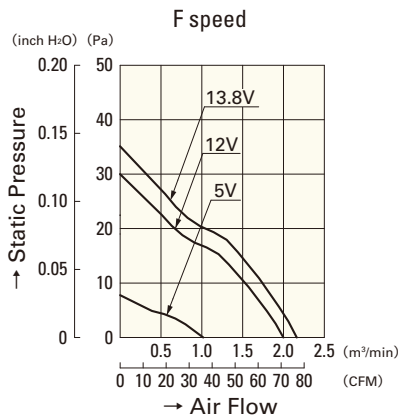
Model : 109-1000F13 (13PPI), 109-1000F20 (20PPI)  
 : 109-1000F30 (30PPI), 109-1000F40 (40PPI)



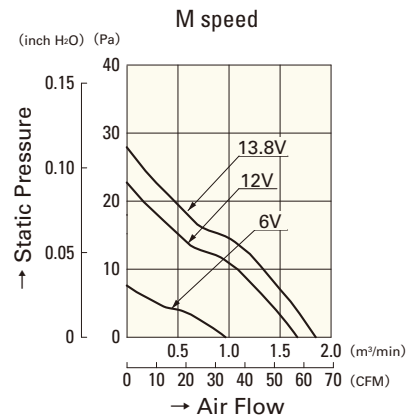
## Air Flow - Static Pressure Characteristics



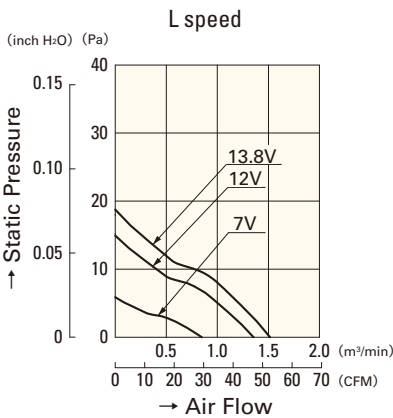
**9S1212H401**



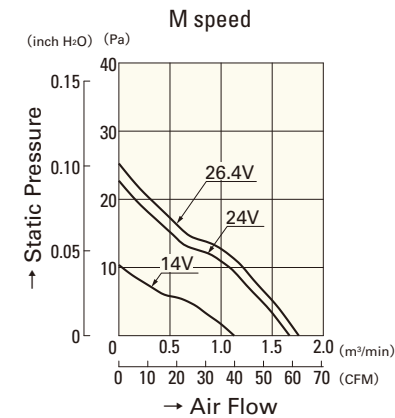
**9S1212F401**



**9S1212M401**



**9S1212L401**



**9S1224M401**