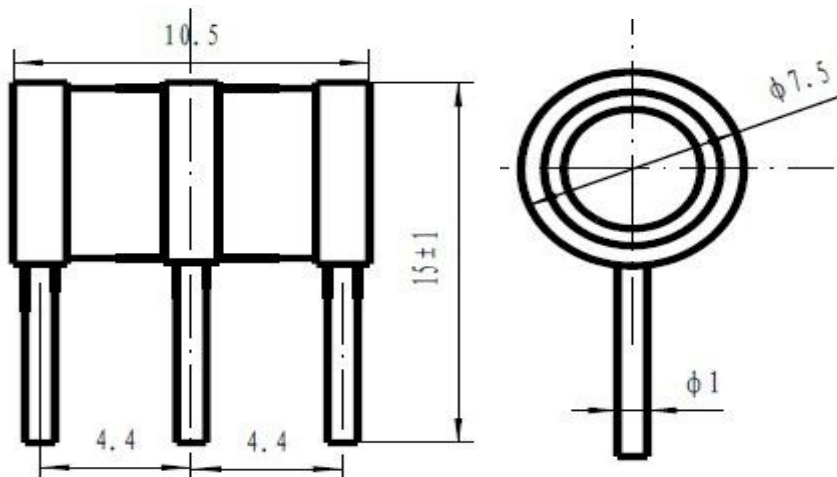


## 3-Electrode Gas Discharge Tubes

10KA/20KA

### 1: Dimension(mm)

Fast Delivery Time



3R230E Photo

### 2: Main Applications

- PCI Cards protection
- Telephone/Fax/Modem protection
- single line protection
- ADSL/XDSL Splitter, Power Supply
- Surge Protection Device/Surge Protector

### 3: Features

- 100% Lead-Free (RoHS Compliant)
- Non-Radioactive
- Low capacitance ( $\leq 1\text{pF}$ )
- Fast Response-time, High Insulation Resistance.
- Small size : Ø7.5x10.5(mm)

### 4 Electrical Characteristics

Part Number	DC Spark-over Voltage @ 100V/S	Impulse Spark-over Voltage @ 100V/ $\mu\text{s}$	Impulse Spark-over Voltage @ 1KV/ $\mu\text{s}$	Insulation Resistance	Impulse discharge current (8/20 $\mu\text{s}$ )		AC discharge current (50Hz, 1s, 10times)	Capacitance (1MHz)
	V	V	V		G $\Omega$	10 Times		
3R75E	75±20%	<500	<600	>1	10KA	15KA	10	$\leq 1$
3R90E	90±20%	<500	<600	>1	10KA	15KA	10	$\leq 1$
3R150E	150±20%	<500	<600	>1	10KA	15KA	10	$\leq 1$
3R230E	230±20%	<600	<700	>1	10KA	15KA	10	$\leq 1$
3R250E	250±20%	<600	<700	>1	10KA	15KA	10	$\leq 1$
3R300E	300±20%	<800	$\leq 900$	>1	10KA	15KA	10	$\leq 1$
3R350E	350±20%	<900	$\leq 1000$	>1	10KA	15KA	10	$\leq 1$
3R400E	400±20%	<900	$\leq 1000$	>1	10KA	15KA	10	$\leq 1$
3R420E	420±20%	<900	$\leq 1000$	>1	10KA	15KA	10	$\leq 1$
3R470E	470±20%	<1100	$\leq 1200$	>1	10KA	15KA	10	$\leq 1$
3R500E	500±20%	<1100	$\leq 1200$	>1	10KA	15KA	10	$\leq 1$
3R600E	600±20%	<1200	$\leq 1300$	>1	10KA	15KA	10	$\leq 1$
3R800E	800±20%	<1300	$\leq 1400$	>1	10KA	15KA	10	$\leq 1$

4 Electrical Characteristics

continued



Part Number	DC Spark-over Voltage @ 100V/S	Impulse Spark-over Voltage @100V/μs	Impulse Spark-over Voltage @1KV/μs	Insulation Resistance	Impulse discharge current(8/20μs)		AC discharge current (50Hz, 1s, 10ti mes)	Capacitan ce (1MHz)
	V	V	V	GΩ	10 Times	1 Time	A	PF
3R75EH	75±20%	<500	<600	>1	20KA	25KA	20	≤1
3R90EH	90±20%	<500	<600	>1	20KA	25KA	20	≤1
3R150EH	150±20%	<500	<600	>1	20KA	25KA	20	≤1
3R230EH	230±20%	<600	<700	>1	20KA	25KA	20	≤1
3R250EH	250±20%	<600	<700	>1	20KA	25KA	20	≤1
3R300EH	300±20%	<800	≤ 900	>1	20KA	25KA	20	≤1
3R350EH	350±20%	<900	≤ 1000	>1	20KA	25KA	20	≤1
3R400EH	400±20%	<900	≤ 1000	>1	20KA	25KA	20	≤1
3R420EH	420±20%	<900	≤ 1000	>1	20KA	25KA	20	≤1
3R470EH	470±20%	<1100	≤ 1200	>1	20KA	25KA	20	≤1
3R500EH	500±20%	<1100	≤ 1200	>1	20KA	25KA	20	≤1
3R600EH	600±20%	<1200	≤ 1300	>1	20KA	25KA	20	≤1
3R800EH	800±20%	<1300	≤ 1400	>1	20KA	25KA	20	≤1

Packing Quantity : 100PCS

Shen Zhen HuaXinAn Electronics Co.,Ltd

sales@huaandz.com

abc0734@126.com