

40mm sq.

San Ace 40

10mm thick, 15mm thick (GA type), 15mm thick, 20mm thick (GA type), 20mm thick, 28mm thick (GA type), 28mm thick (GE type), 28mm thick (GV type), 28mm thick



General Specifications

- Material Frame: Plastics (Flammability: UL94V-0), Impeller: Plastics (Flammability: UL94V-1)
- Expected Life Refer to specifications (L10:Survival rate:90% at 60°C , rated voltage, and continuously run in a free air state)
- Lead Wire ⊕red ⊖black or blue (Sensor) yellow
- Storage Temperature -30°C to +70°C (Non-condensing)

40×40×10mm (Mass : 19g)

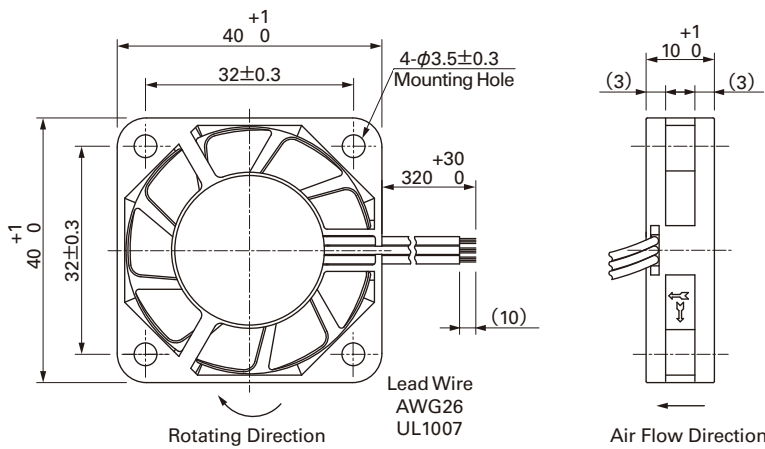
Specifications

The following nos. **have pulse sensors and ribs.**

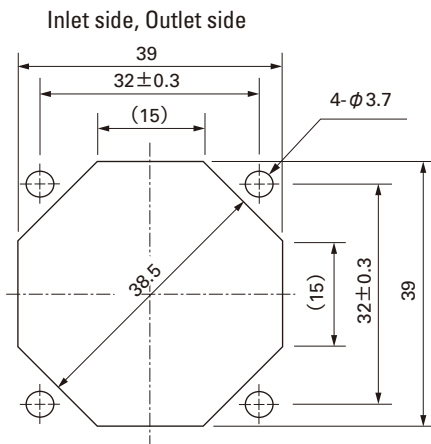
Model No.	Rated Voltage [V]	Operating Voltage Range [V]	Rated Current [A]	Rated Input [W]	Rated Speed [min ⁻¹]	Max. Air Flow [m ³ /min] [CFM]	Max. Static Pressure [Pa] [inchH ₂ O]	SPL [dB(A)]	Operating Temperature [°C]	Expected Life [h]
109P0405H901	5	4.5 to 5.5	0.16	0.8	6,200	0.15	5.3	41.2	-10 to +60	40,000
109P0405M901			0.11	0.55	5,000	0.12	4.2	27		
109P0412H901	12	7 to 13.8	0.07	0.84	6,200	0.15	5.3	41.2		
109P0412M901			0.06	0.72	5,000	0.12	4.2	27		

- Available options: ⇒ **Without Sensor**
- Please inquire as the availability of these functions depend on the model. ⇒ **Lock Sensor**

Dimensions (Unit : mm)



Reference dimension of mounting holes and vent opening (Unit : mm)

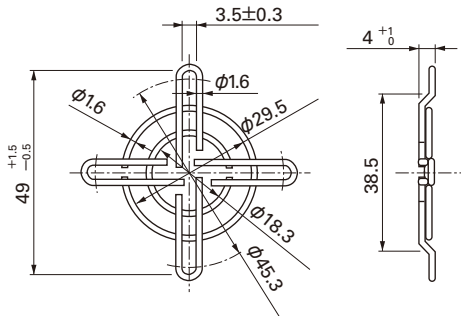


Options (Unit : mm)

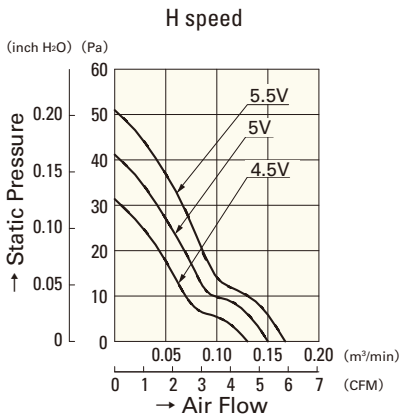
Finger guards

Model : 109-059 Color Surface treatment : Nickel-chrome plating (silver)

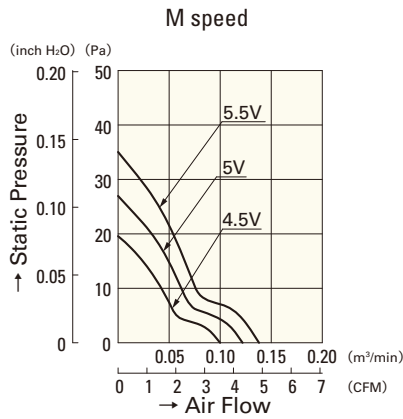
Inlet side, Outlet side



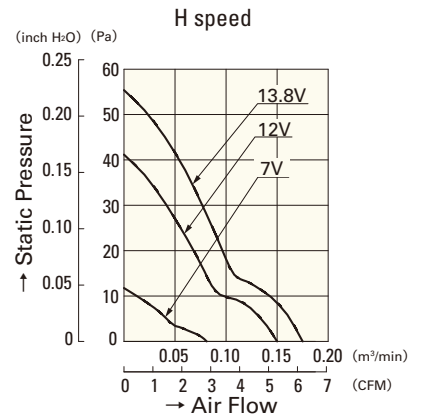
Air Flow - Static Pressure Characteristics



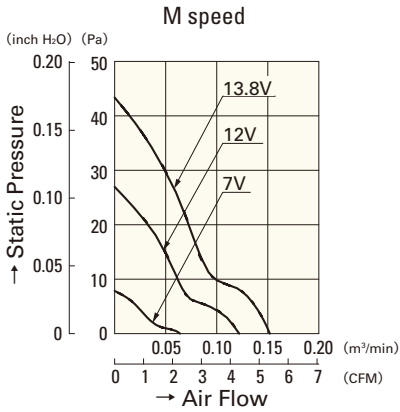
109P0405H901



109P0405M901



109P0412H901



109P0412M901