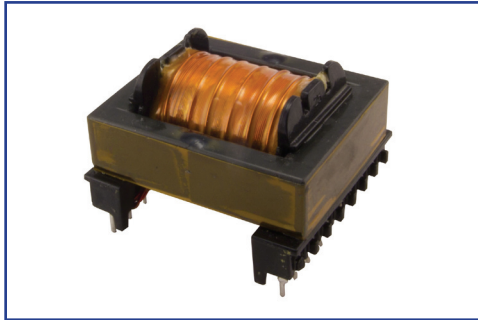


HALF BRIDGE LLC RESONANT TRANSFORMER



P6503



- Zero Voltage Switching (ZVS)
- High efficiency and low loss
- Isolation 2000Vrms, 1mA, 5 seconds (Pri to Sec)
- Operating Temperature -40°C to +100°C
- RoHS Compliant Product
- Custom Design Available

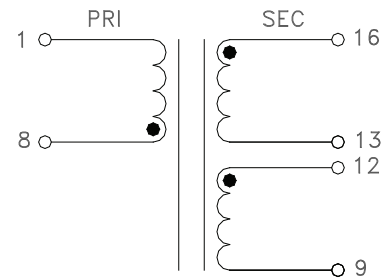
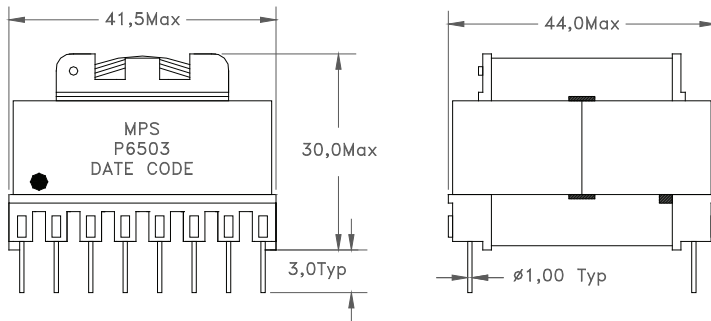
ELECTRICAL PARAMETERS @ 25°C

Part Number	Power (W)	Suggest Fosc (KHz Typ)	Pri OCL ($\mu\text{H} \pm 10\%$)	Leakage Inductance (μH Typ)	Turns Ratio $\pm 2\%$
P6503	200	100	600	110	9 : 1 : 1

Note:

1. OCL and leakage measured @ 100KHz 0.1Vrms

DIMENSIONS



Product performance is limited to specified parameters. Data is subject to change without prior notice.

Dimensions
Unless otherwise specified, all tolerances are:
inch: XX : ± 0.015 .XXX : ± 0.004
mm: X,X : ± 0.38 X,XX : ± 0.10

Tel: 310-325-1043
Fax: 310-325-1044

www.mpsind.com
sales@mpsind.com