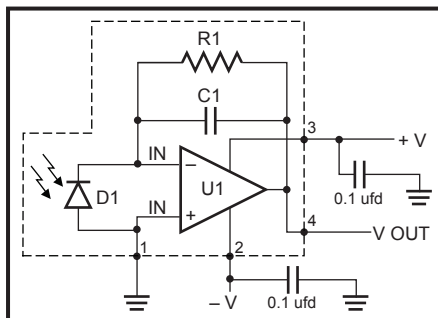


FEATURES

- Large active area
- Low noise
- High sensitivity
- Custom gains available
- Hermetically sealed TO-39
- Blue enhanced detector



ELECTRO-OPTICAL CHARACTERISTICS AT 23°C

| PARAMETERS | TEST CONDITIONS | MIN | TYP | MAX | UNITS |
|----------------------------|---|-----|------|---------|----------------|
| Dark Offset | $V_s = \pm 5 V$ | | 1.2 | ± 2 | mV |
| Dark Offset Noise | $V_s = \pm 5$ BW = 0.1 to 1000 Hz | | 198 | 250 | μV rms |
| Sensitivity | $V_s = \pm 5 V$ $\lambda = 450 \text{ nm}$ | 20 | 28 | | $V/\mu W$ |
| Frequency Response (-3 db) | $V_s = \pm 5 V$ $\lambda = 940 \text{ nm}$ | 900 | 1000 | | Hz |
| NEP | $\lambda = 940 \text{ nm}$ | | 0.08 | | pW/\sqrt{Hz} |
| Transimpedance Gain | | | 100 | | $M\Omega$ |
| Supply Current | | | 850 | 950 | μA |

THERMAL PARAMETERS

| | |
|---|----------------------|
| Voltage Supplies | ± 5 to $\pm 15V$ |
| Power Dissipation | 30 mW |
| Storage and Operating Temperature | -25° to +100° C |
| Soldering Temperature (1/16" from case for 3 seconds max) | +260° C |



750 Mitchell Road, Newbury Park, California 91320
 Phone: (805) 499-0335, Fax: (805) 499-8108
 Email: sales@optodiode.com, Website: www.optodiode.com

